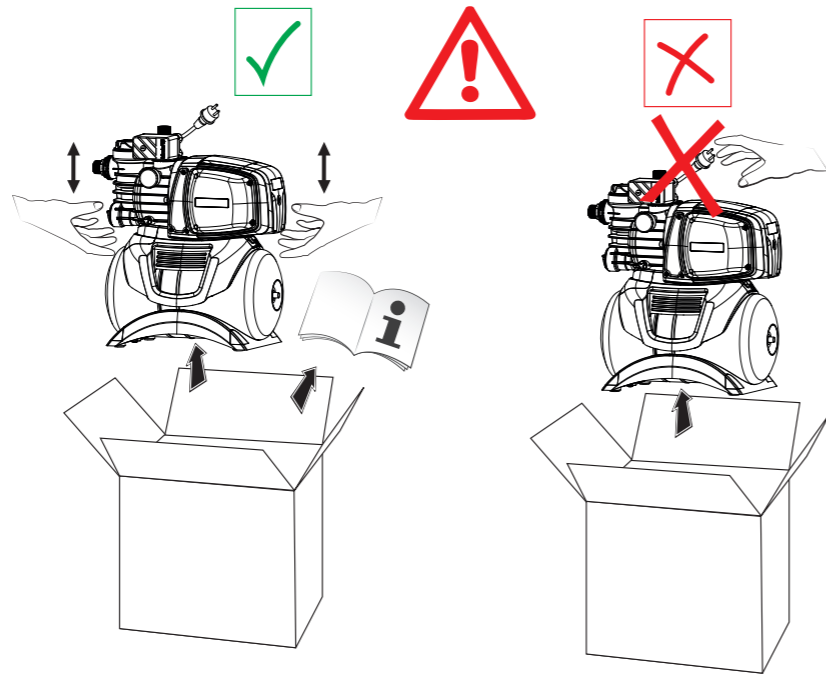
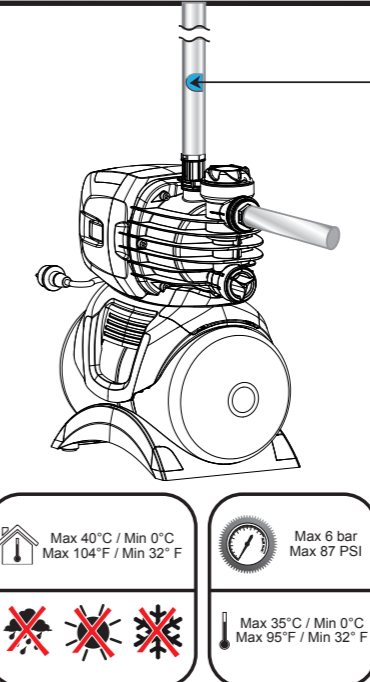
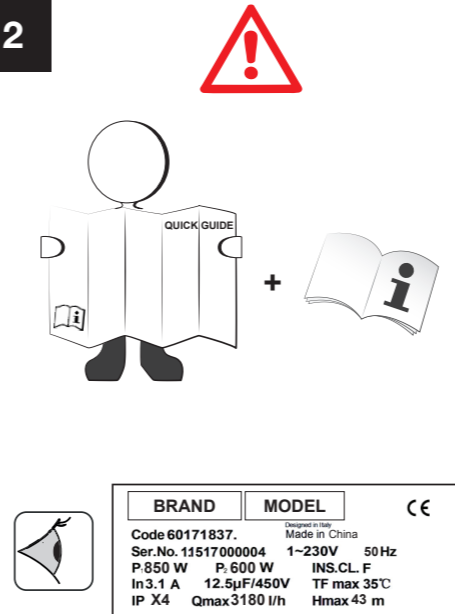


QUICK GUIDE

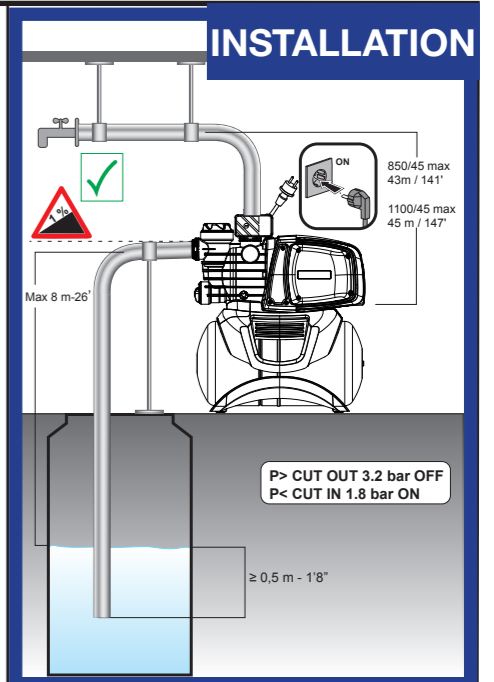
1



2

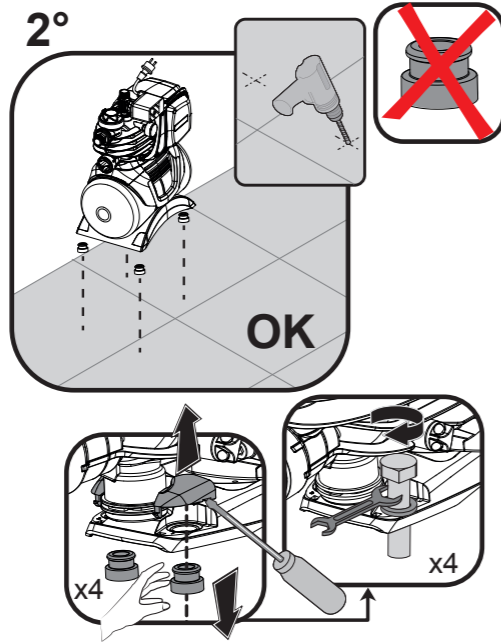
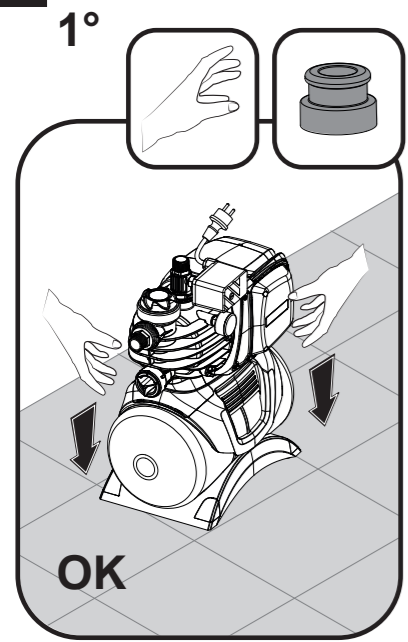


INSTALLATION

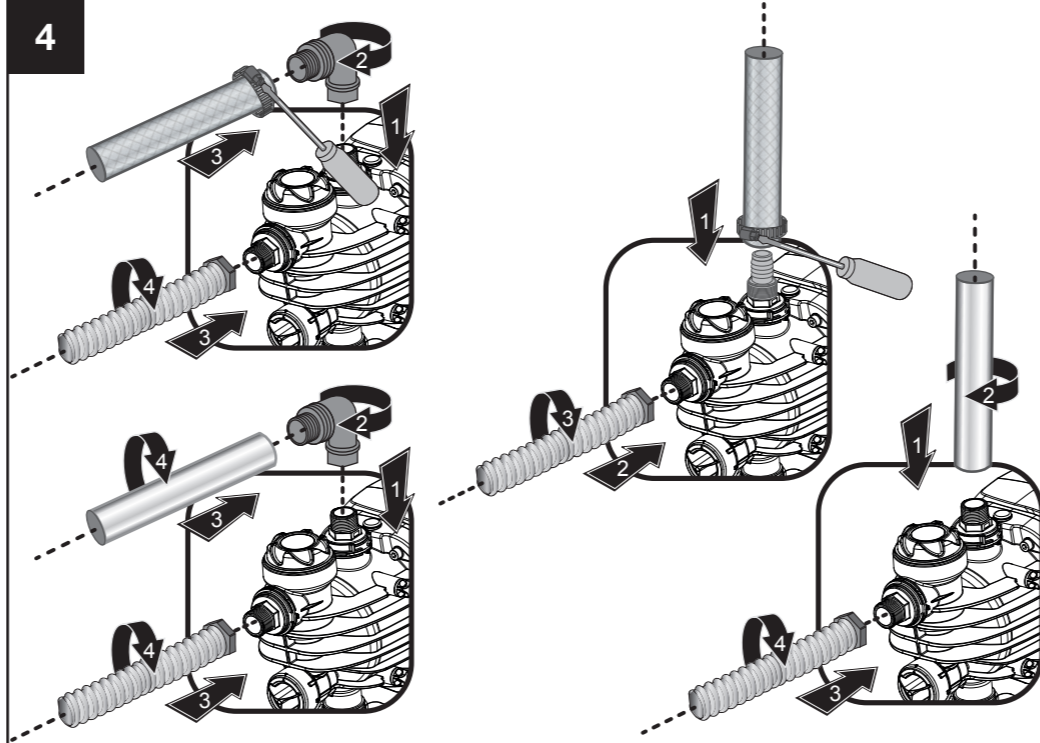


3

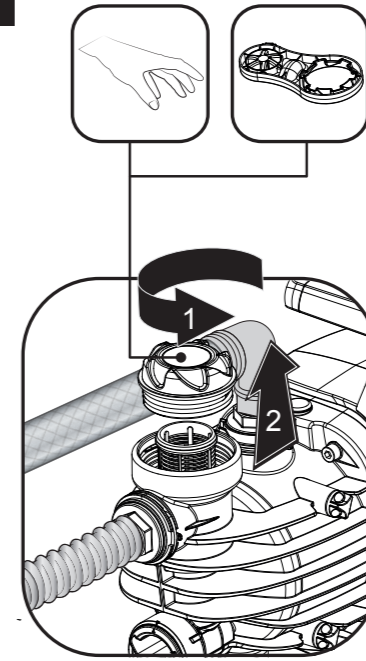
INSTALLATION: 1°PORTABLE / 2°FIX



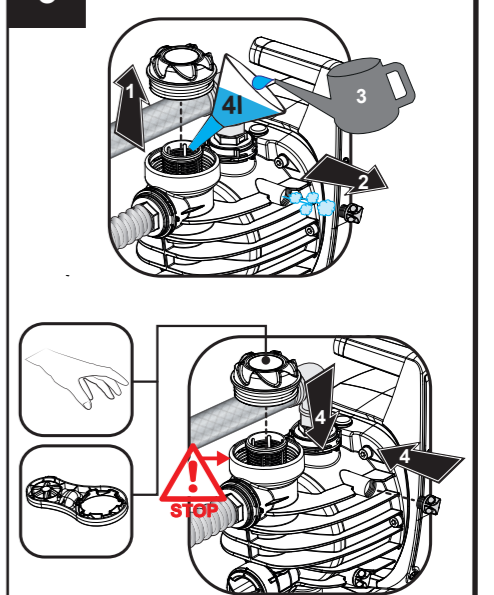
4



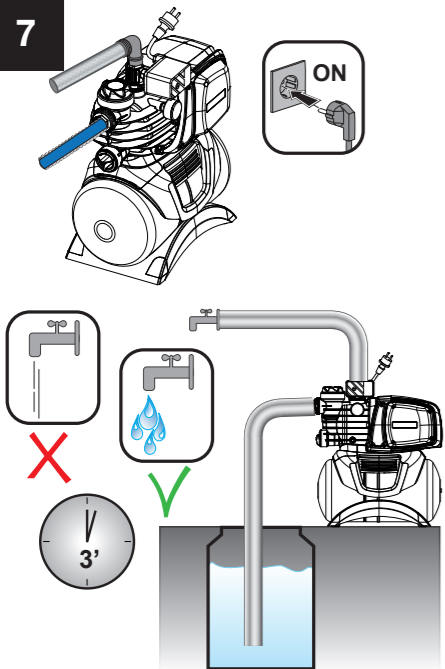
5



6



7



OPENING

