



**EBARA**

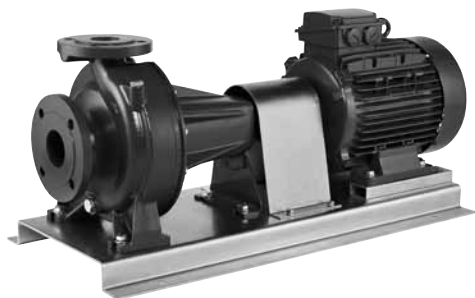
**3D SERIES  
CENTRIFUGAL PUMPS CLOSE COUPLED  
AND STANDARDIZED EN733**

**50 Hz**



# 3D SERIES

## CENTRIFUGAL PUMPS CLOSE COUPLED AND STANDARDIZED EN 733



Centrifugal pumps close coupled (3D) and standardized EN 733 (3DS-3DP) in cast iron.

### APPLICATIONS

- Water and clean liquids not chemically aggressive handling
- Water supply
- Pressure boosting
- Washing and industrial plants
- Water circulation in air-conditioning systems
- Irrigation and agriculture

### TECHNICAL DETAILS

- Highly resistant construction
- Impeller in stainless steel
- High efficiency

### PUMP TECHNICAL DATA

- Maximum working pressure: 10 bar
  - Temperature of the liquid:
    - 5°C ÷ +90°C
    - 5°C ÷ +110°C (H-HS-HW-HSW versions)
    - 5°C ÷ +120°C (E version)
  - MEI > 0,4 for 3D(.) SERIES 2 poles, MEI > 0,1 for 3D(.) SERIES 4 poles
- For further information please see our Data Book on the web site [www.ebara.com](http://www.ebara.com)

### MOTOR TECHNICAL DATA

- High efficiency IE2 motors starting from 0,75kW
- High efficiency IE3 motors starting from 7,5kW up to 22kW
- Self-ventilated 2 and 4 poles asynchronous motor
- Insulation class F (B for high temperatures)
- Protection degree IP 55
- 230V ±10% single phase voltage 50Hz,
- 230/400 ±10% (up to 4kW included) three phase 50Hz,
- 400/690V ±10% (from 5,5 kW and above) three phase 50Hz
- Protection is user's responsibility

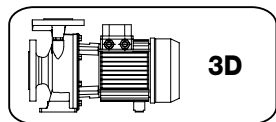
### MATERIALS

- Pump casing in cast iron EN-GJL-250-EN 1561
- Impeller in:
  - AISI 304 for 3D(.) SERIES 32, 40, 50
  - AISI 316 microcasted for 3D(.) SERIES 65
- Shaft in AISI 304 (part in contact with the liquid)
- Mechanical seal in:
  - Ceramic/Carbon/NBR (standard)
  - Ceramic/Carbon/FPM (H version)
  - SiC/SiC/FPM (HS version)
  - Tungsten Carbide/Tungsten Carbide/FPM (HW version)
  - SiC/Tungsten Carbide/FPM (HSW version)
  - Ceramic/Carbon/EPDM (E version)

### SPECIAL VERSIONS

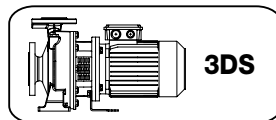
- Special voltages
- Special mechanical seals

### Available in 3 different versions with 2 and 4 pole motors



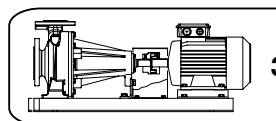
**3D**

Monobloc with extended motor shaft



**3DS**

Monobloc with standard motor and rigid joint



**3DP**

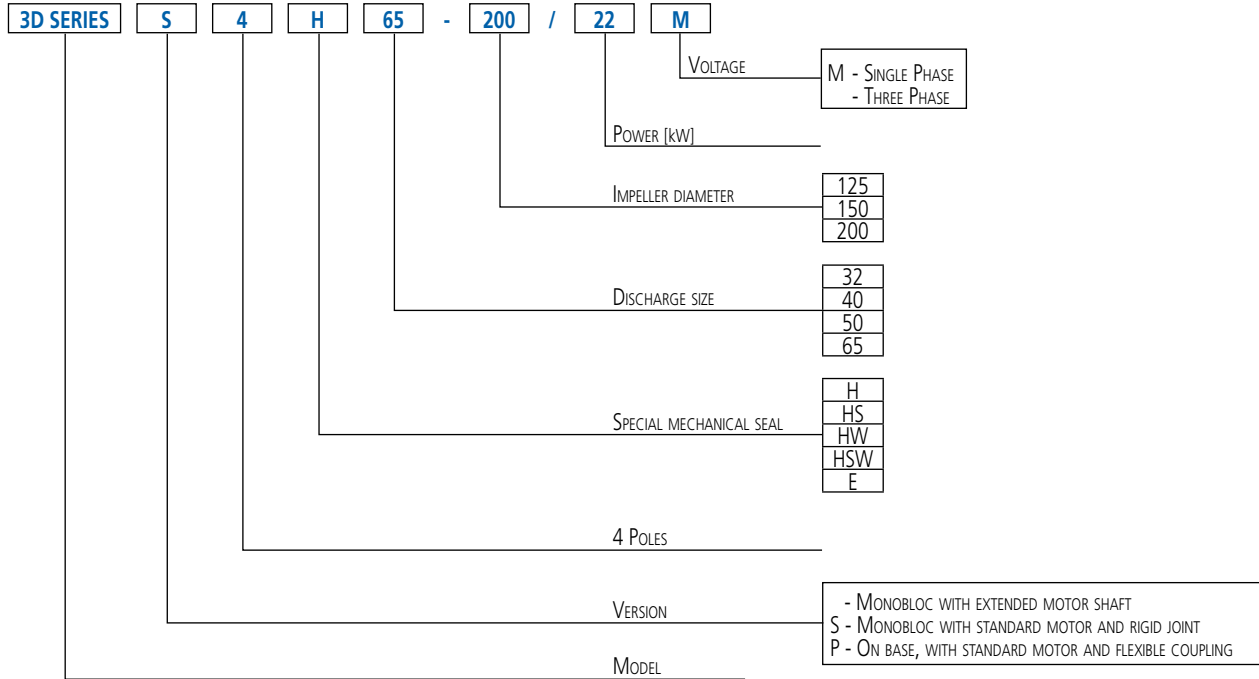
On base, with standard motor and flexible coupling



# 3D SERIES

## CENTRIFUGAL PUMPS CLOSE COUPLED AND STANDARDIZED EN 733

### IDENTIFICATION CODE



The contents of this publication must not be regarded as binding. EBARA Pumps Europe S.p.A. reserves the right to effect any modification it deems necessary, without prior notice.

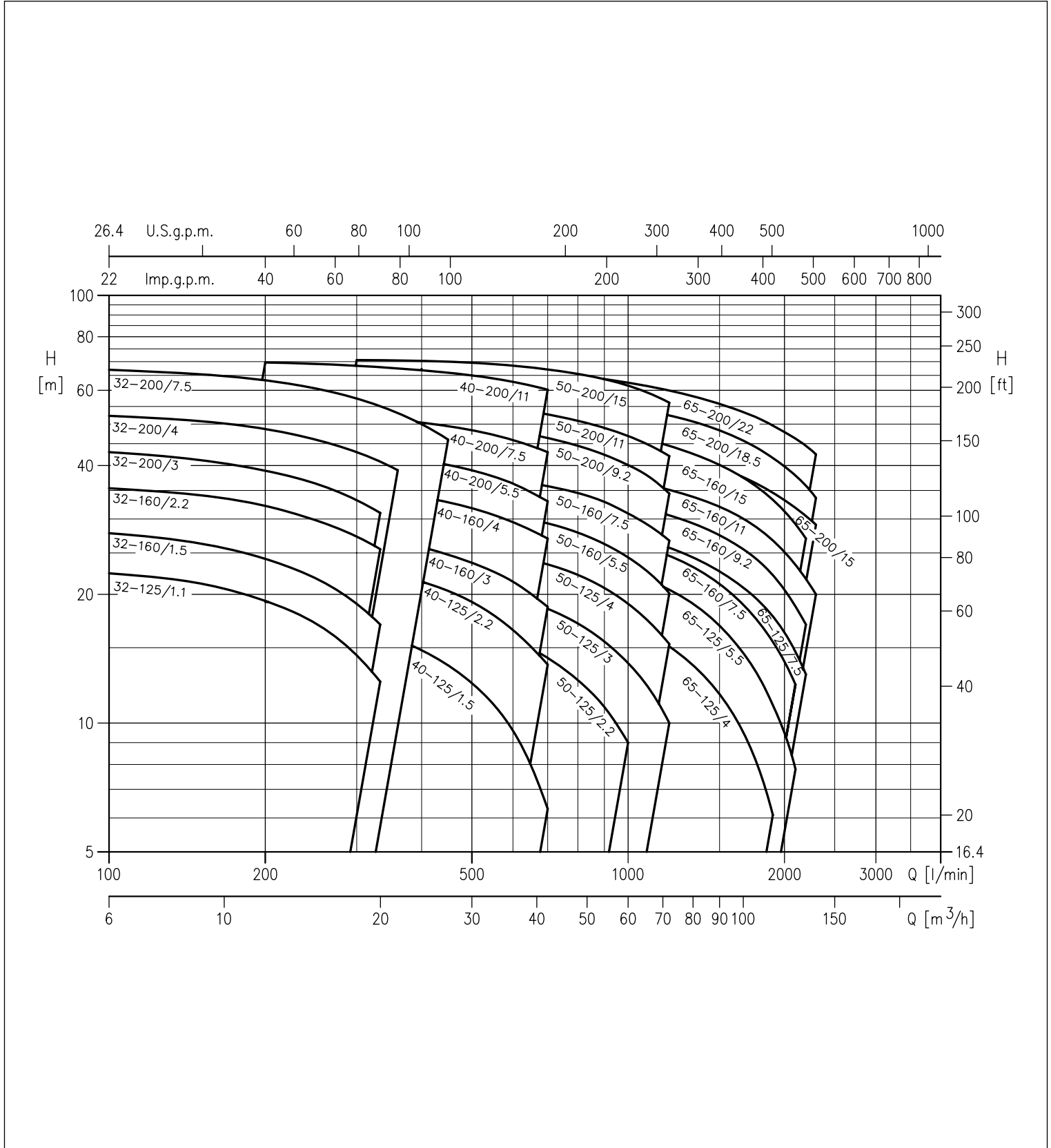


# 3D SERIES

## CENTRIFUGAL PUMPS CLOSE COUPLED AND STANDARDIZED EN 733

PERFORMANCE CHART at 2900 min<sup>-1</sup> (according to ISO 9906 Attachment A)

2 Poles



The contents of this publication must not be regarded as binding. EBARA Pumps Europe S.p.A. reserves the right to effect any modification it deems necessary without prior notice.

# 3D SERIES

## CENTRIFUGAL PUMPS CLOSE COUPLED AND STANDARDIZED EN 733

PERFORMANCE TABLE 3D(.) SERIES 32

2 Poles

Model	P <sub>2</sub>		Q=Flow rate										
	[HP]	[kW]	l/min	100	150	200	250	300	333	360	400	450	
			m <sup>3</sup> /h	6	9	12	15	18	20	21,6	24	27	
								H=Head [m]					
3D(.) 32-125/1.1 (M)	1,5	1,1		22,4	21,2	19,3	17,1	14,4	12,5	-	-	-	
3D(.) 32-160/1.5 (M)	2	1,5		27,5	25,9	23,7	21,3	18,5	16,4	-	-	-	
3D(.) 32-160/2.2 (M)	3	2,2		35,4	34,1	32,2	29,8	27,3	25,5	-	-	-	
3D(.) 32-200/3.0	4	3		43,0	41,0	39,0	36,5	33,0	31,0	-	-	-	
3D(.) 32-200/4.0	5,5	4		52,5	51,0	49,0	46,0	43,0	41,0	39,0	-	-	
3D(.) 32-200/7.5	10	7,5		67,0	65,0	63,0	61,0	57,0	55,0	53,0	50,0	46,0	

PERFORMANCE TABLE 3D(.) SERIES 40

2 Poles

Model	P <sub>2</sub>		Q=Flow rate										
	[HP]	[kW]	l/min	200	250	300	350	400	450	500	600	700	
			m <sup>3</sup> /h	12	15	18	21	24	27	30	36	42	
								H=Head [m]					
3D(.) 40-125/1.5 (M)	2	1,5		18,2	17,6	16,8	15,9	14,8	13,7	12,4	9,6	6,3	
3D(.) 40-125/2.2 (M)	3	2,2		24,4	23,9	23,2	22,4	21,4	20,4	19,2	16,5	13,7	
3D(.) 40-160/3.0	4	3		29,4	28,7	27,8	26,8	25,8	24,8	23,7	21,4	18,7	
3D(.) 40-160/4.0	5,5	4		37,2	36,5	35,7	34,8	33,8	32,8	31,8	29,5	27,0	
3D(.) 40-200/5.5	7,5	5,5		44,5	44,0	43,0	42,0	41,0	40,0	39,0	36,3	33,0	
3D(.) 40-200/7.5	10	7,5		53,5	53,0	52,0	51,5	50,5	49,5	48,5	46,0	43,0	
3D(.) 40-200/11	15	11		70,0	69,0	68,5	67,5	67,0	66,0	65,0	63,0	60,0	

PERFORMANCE TABLE 3D(.) SERIES 50

2 Poles

Model	P <sub>2</sub>		Q=Flow rate										
	[HP]	[kW]	l/min	400	500	600	700	800	900	1000	1100	1200	
			m <sup>3</sup> /h	24	30	36	42	48	54	60	66	72	
								H=Head [m]					
3D(.) 50-125/2.2 (M)	3	2,2		18,0	17,0	15,7	14,2	12,6	10,9	9,0	-	-	
3D(.) 50-125/3.0	4	3		21,5	20,8	19,8	18,5	17,1	15,5	13,8	12,0	10,0	
3D(.) 50-125/4.0	5,5	4		25,8	25,3	24,5	23,5	22,2	20,7	19,0	17,2	15,3	
3D(.) 50-160/5.5	7,5	5,5		32,0	31,5	30,5	29,3	27,9	26,2	24,4	22,4	20,0	
3D(.) 50-160/7.5	10	7,5		38,2	37,6	36,9	35,8	34,5	32,9	30,9	28,9	26,7	
3D(.) 50-200/9.2	12,5	9,2		-	49,5	48,0	46,5	44,5	42,5	40,0	37,6	34,4	
3D(.) 50-200/11	15	11		-	55,5	54,5	52,5	51,0	49,0	47,0	44,5	42,0	
3D(.) 50-200/15	20	15		-	69,5	68,5	67,0	65,5	63,5	61,5	59,0	56,0	

PERFORMANCE TABLE 3D(.) SERIES 65

2 Poles

Model	P <sub>2</sub>		Q=Flow rate										
	[HP]	[kW]	l/min	600	700	1000	1300	1600	1900	2100	2200	2300	
			m <sup>3</sup> /h	36	42	60	78	96	114	126	132	138	
								H=Head [m]					
3D(.) 65-125/4.0	5,5	4		20,4	19,8	17,2	14,0	10,4	6,0	-	-	-	
3D(.) 65-125/5.5	7,5	5,5		-	25,0	22,5	19,4	15,5	11,0	8,0	-	-	
3D(.) 65-125/7.5	10	7,5		-	29,6	27,5	24,7	21,5	17,8	14,7	13,0	-	
3D(.) 65-160/7.5	10	7,5		-	29,0	26,6	23,5	19,8	15,5	12,3	-	-	
3D(.) 65-160/9.2	12,5	9,2		-	34,7	32,4	29,6	26,3	22,2	18,8	17,0	-	
3D(.) 65-160/11	15	11		-	39,0	37,0	34,0	31,0	27,0	23,0	22,0	20,0	
3D(.) 65-160/15	20	15		-	46,0	44,0	41,5	38,4	34,6	31,9	30,5	29,0v	
3D(.) 65-200/15	20	15		-	51,0	47,0	43,0	38,6	33,3	29,2	27,0	-	
3D(.) 65-200/18.5	25	18,5		-	58,0	55,0	51,0	47,0	41,5	37,9	35,9	33,6	
3D(.) 65-200/22	30	22		-	65,5	62,5	58,5	54,5	49,5	46,0	44,5	42,5	

(M) Single phase version only for 3D SERIES

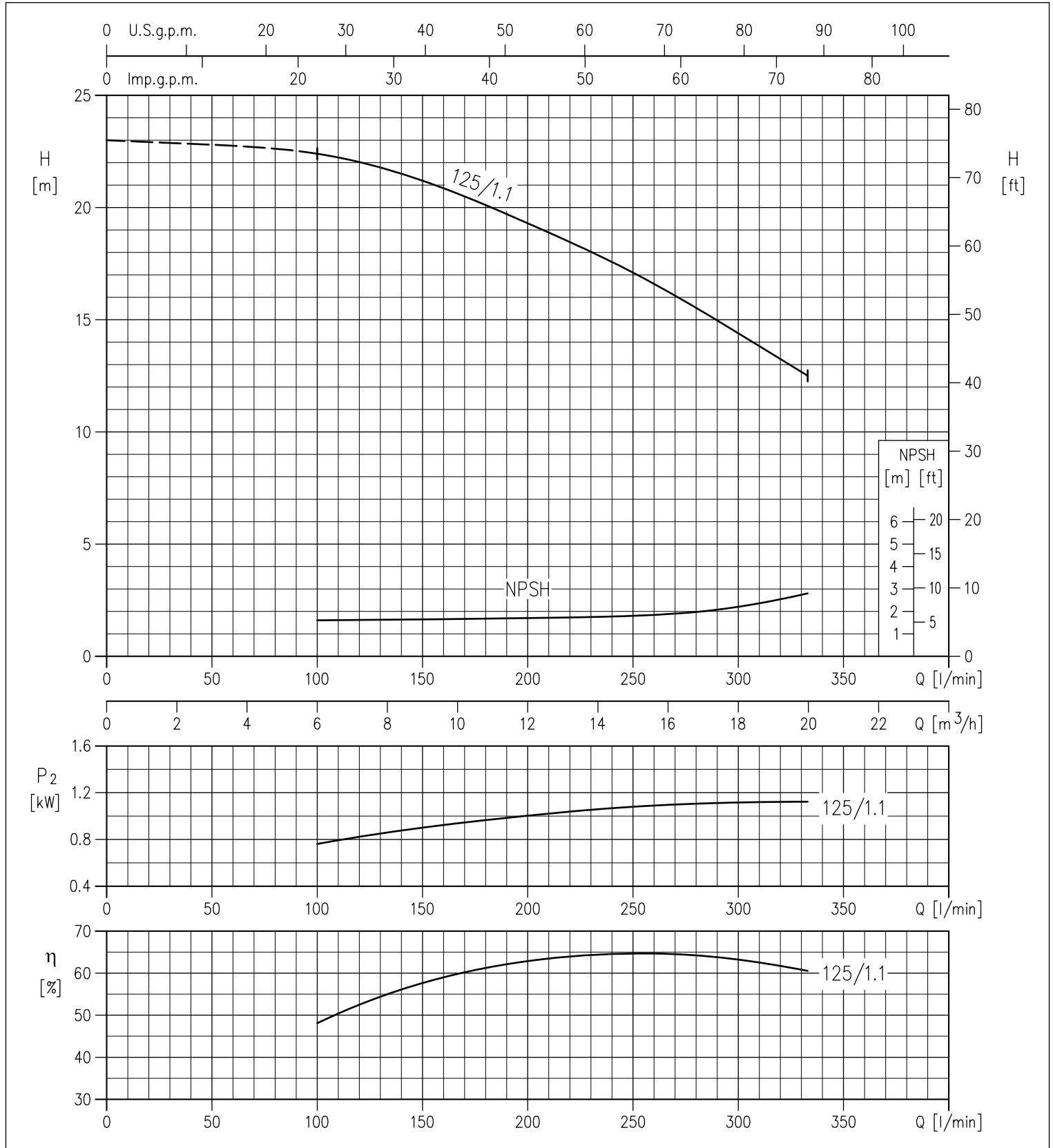


# 3D SERIES

## CENTRIFUGAL PUMPS CLOSE COUPLED AND STANDARDIZED EN 733

PERFORMANCE CURVES 3D(.) SERIES 32-125 at 2900 min<sup>-1</sup> (according to ISO 9906 Attachment A)

2 Poles



The contents of this publication must not be regarded as binding. EBARA Pumps Europe S.p.A. reserves the right to effect any modification it deems necessary without prior notice.

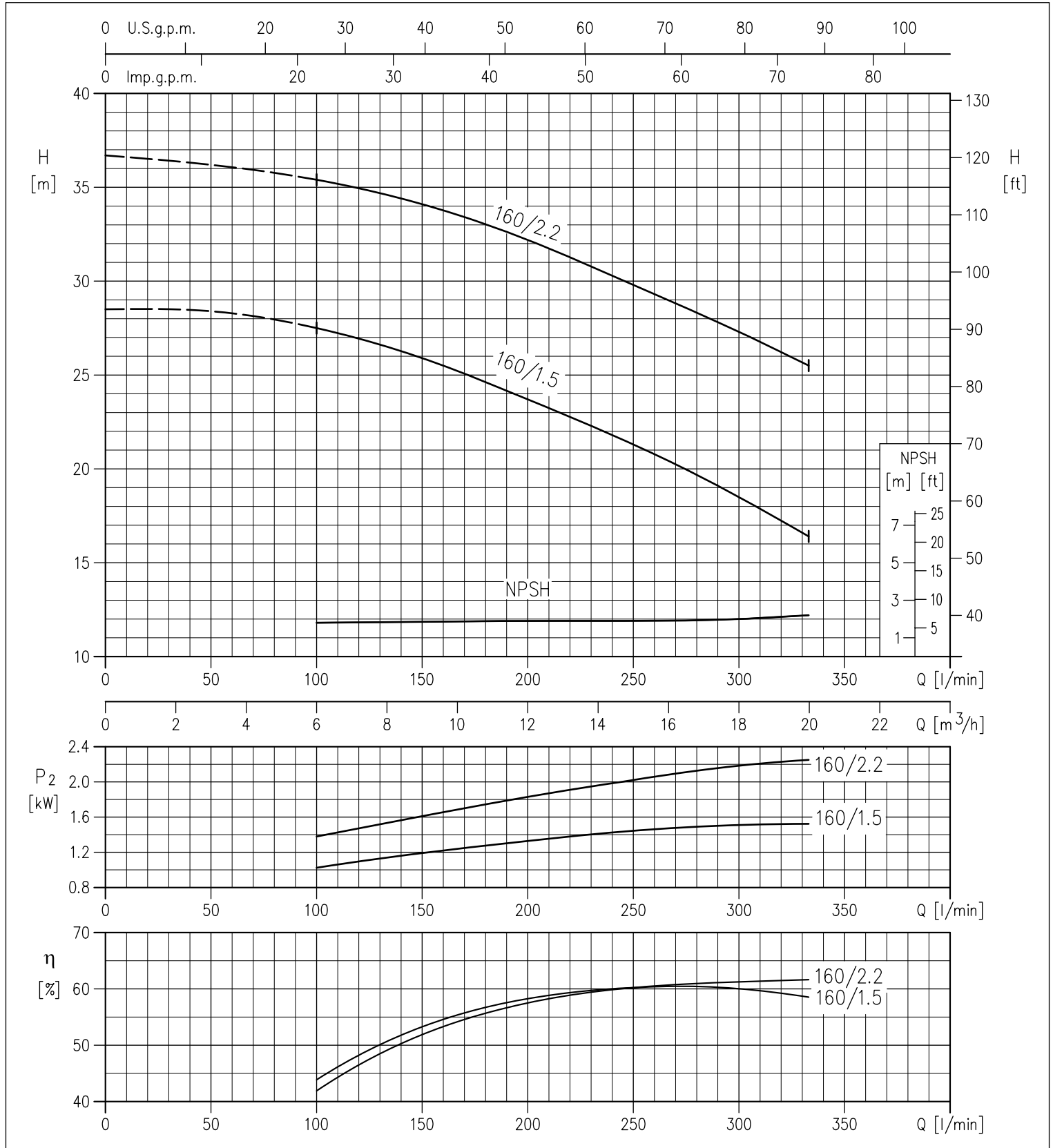


# 3D SERIES

## CENTRIFUGAL PUMPS CLOSE COUPLED AND STANDARDIZED EN 733

PERFORMANCE CURVES 3D(.) SERIES 32-160 at 2900 min<sup>-1</sup> (according to ISO 9906 Attachment A)

2 Poles



The contents of this publication must not be regarded as binding. EBARA Pumps Europe S.p.A. reserves the right to effect any modification it deems necessary, without prior notice.

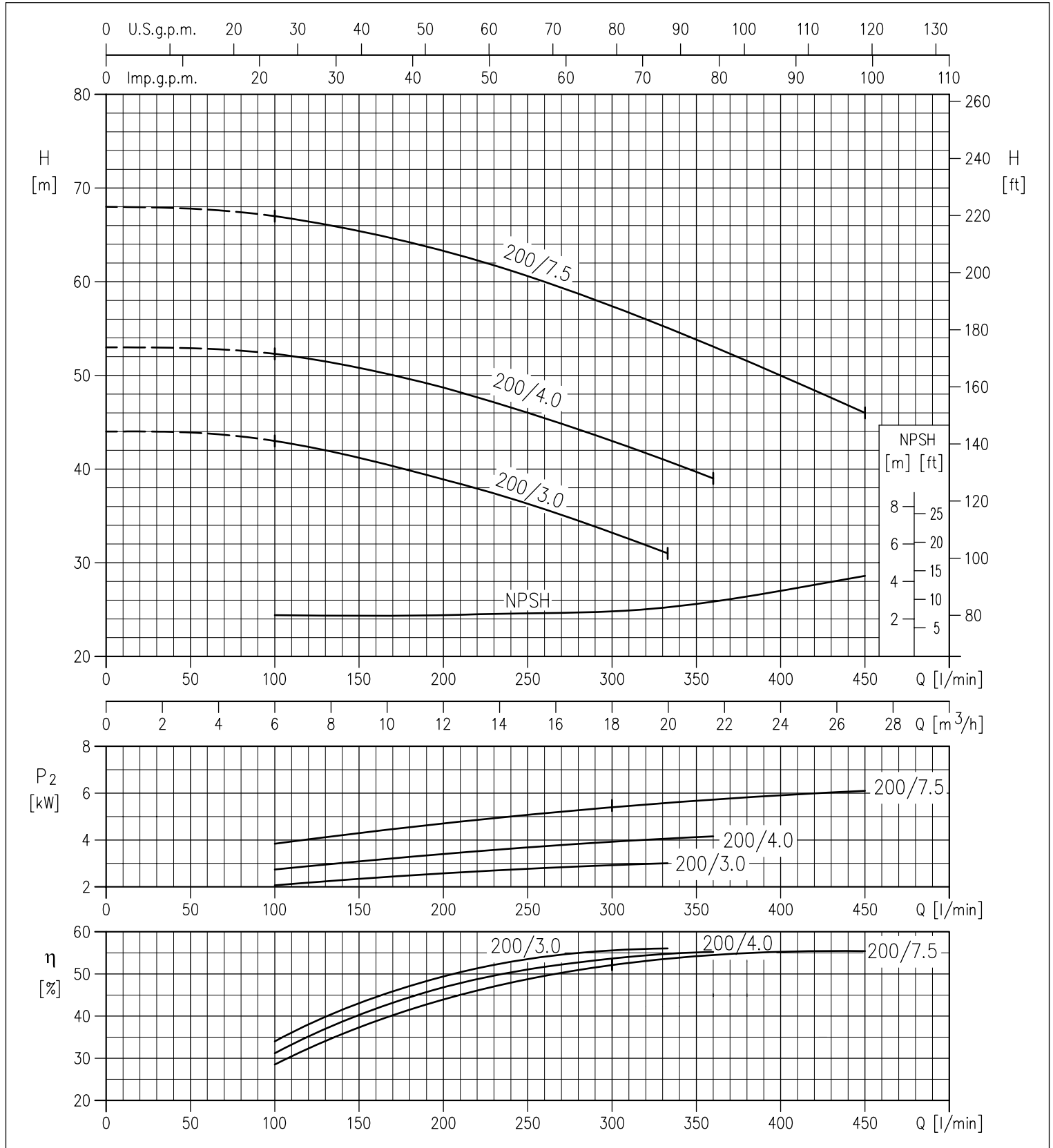


# 3D SERIES

## CENTRIFUGAL PUMPS CLOSE COUPLED AND STANDARDIZED EN 733

PERFORMANCE CURVES 3D(.) SERIES 32-200 at 2900 min<sup>-1</sup> (according to ISO 9906 Attachment A)

2 Poles



The contents of this publication must not be regarded as binding. EBARA Pumps Europe S.p.A. reserves the right to effect any modification it deems necessary without prior notice.



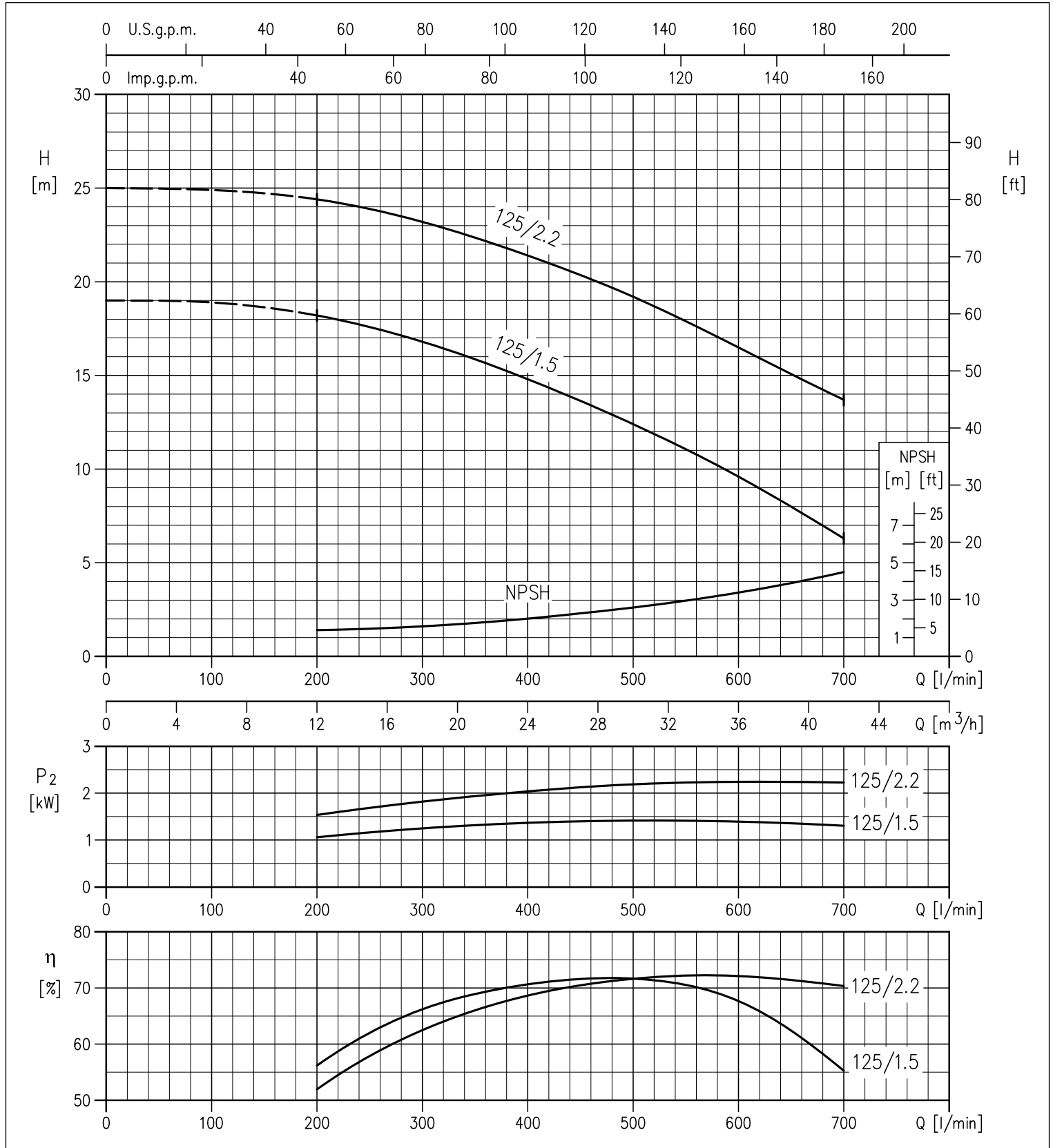


# 3D SERIES

## CENTRIFUGAL PUMPS CLOSE COUPLED AND STANDARDIZED EN 733

PERFORMANCE CURVES 3D(.) SERIES 40-125 at 2900 min<sup>-1</sup> (according to ISO 9906 Attachment A)

2 Poles



The contents of this publication must not be regarded as binding. EBARA Pumps Europe S.p.A. reserves the right to effect any modification it deems necessary, without prior notice.

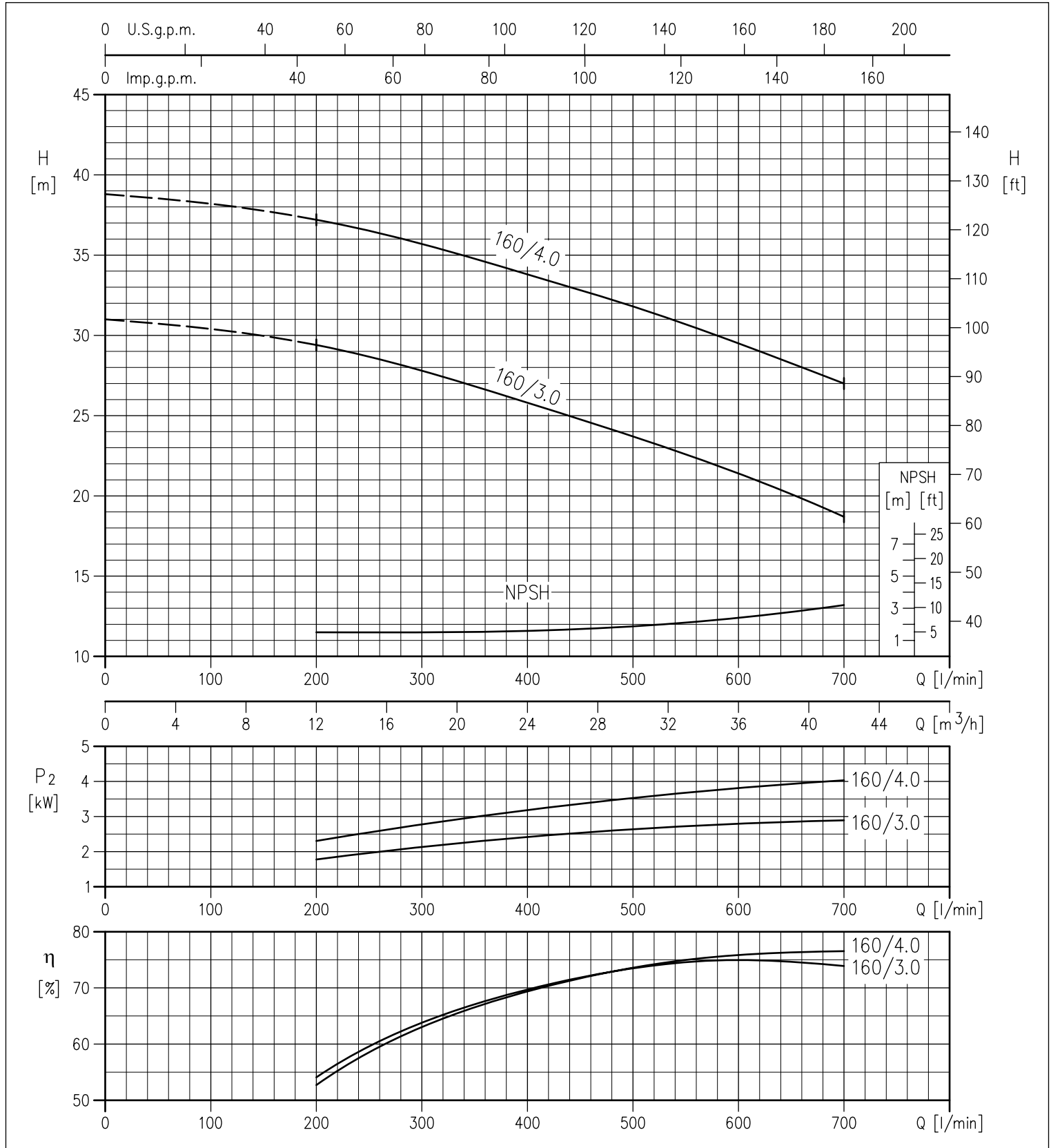


# 3D SERIES

## CENTRIFUGAL PUMPS CLOSE COUPLED AND STANDARDIZED EN 733

PERFORMANCE CURVES 3D(.) SERIES 40-160 at 2900 min<sup>-1</sup> (according to ISO 9906 Attachment A)

2 Poles



The contents of the publication must not be regarded as binding. EBARA Pumps Europe S.p.A. reserves the right to effect any modification it deems necessary without prior notice.

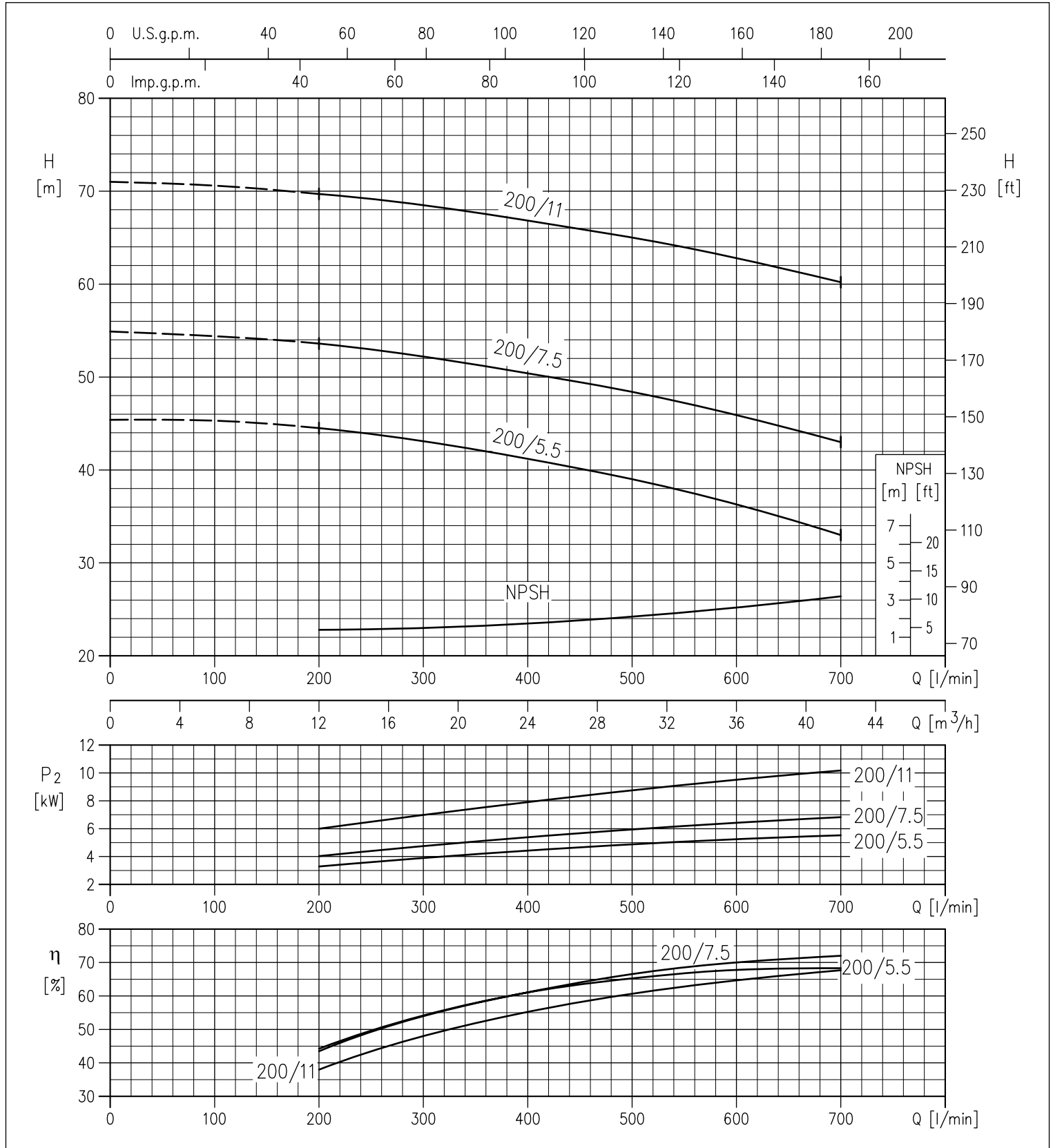


# 3D SERIES

## CENTRIFUGAL PUMPS CLOSE COUPLED AND STANDARDIZED EN 733

PERFORMANCE CURVES 3D(.) SERIES 40-200 at 2900 min<sup>-1</sup> (according to ISO 9906 Attachment A)

2 Poles



The contents of this publication must not be regarded as binding. EBARA Pumps Europe S.p.A. reserves the right to effect any modification it deems necessary, without prior notice.

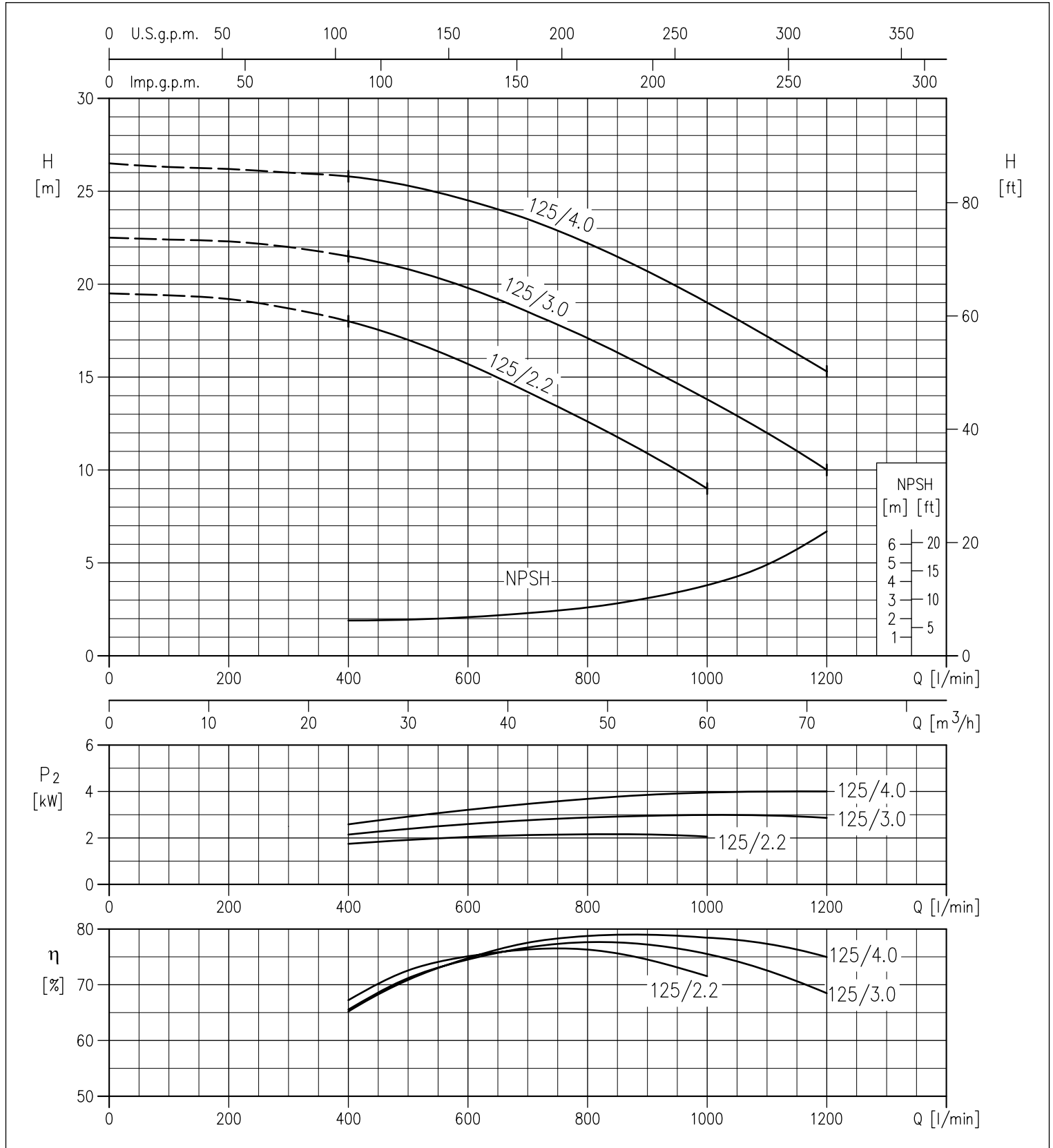


# 3D SERIES

## CENTRIFUGAL PUMPS CLOSE COUPLED AND STANDARDIZED EN 733

PERFORMANCE CURVES 3D(.) SERIES 50-125 at 2900 min<sup>-1</sup> (according to ISO 9906 Attachment A)

2 Poles



The contents of this publication must not be regarded as binding. EBARA Pumps Europe S.p.A. reserves the right to effect any modification it deems necessary without prior notice.

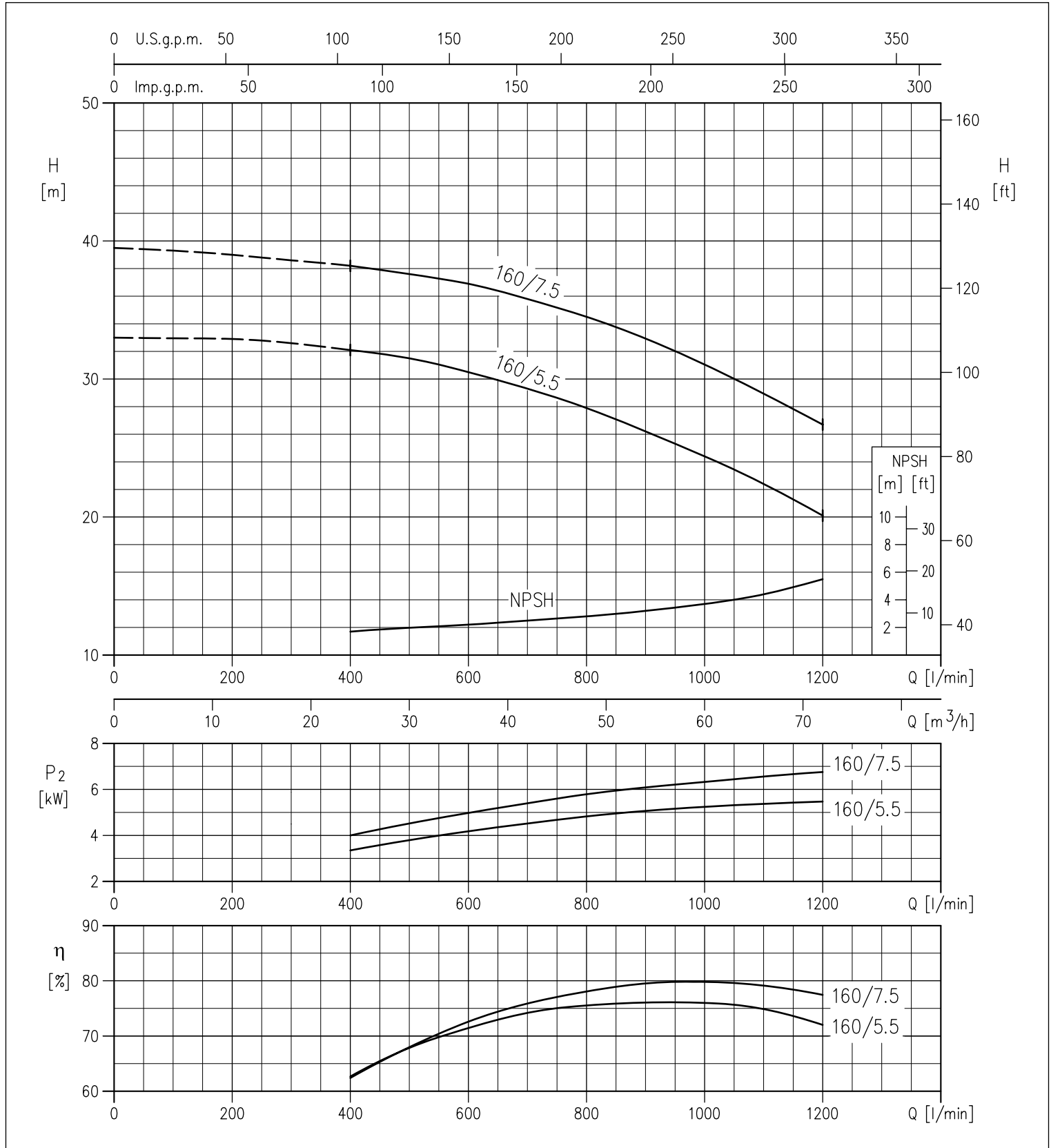


# 3D SERIES

## CENTRIFUGAL PUMPS CLOSE COUPLED AND STANDARDIZED EN 733

PERFORMANCE CURVES 3D(.) SERIES 50-160 at 2900 min<sup>-1</sup> (according to ISO 9906 Attachment A)

2 Poles



The contents of this publication must not be regarded as binding. EBARA Pumps Europe S.p.A. reserves the right to effect any modification it deems necessary, without prior notice.

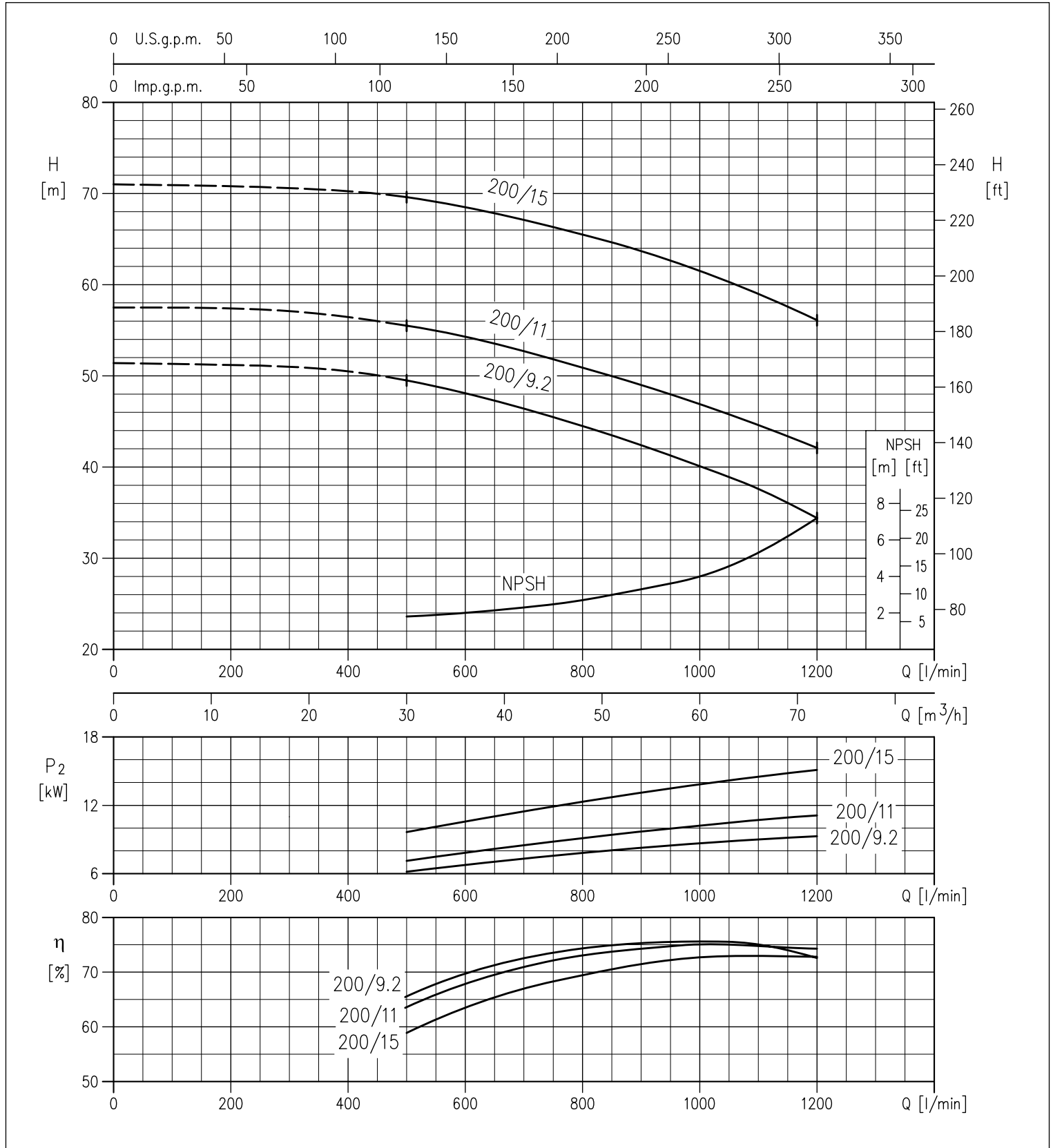


# 3D SERIES

## CENTRIFUGAL PUMPS CLOSE COUPLED AND STANDARDIZED EN 733

PERFORMANCE CURVES 3D(.) SERIES 50-200 at 2900 min<sup>-1</sup> (according to ISO 9906 Attachment A)

2 Poles



The contents of this publication must not be regarded as binding. EBARA Pumps Europe S.p.A. reserves the right to effect any modification it deems necessary without prior notice.

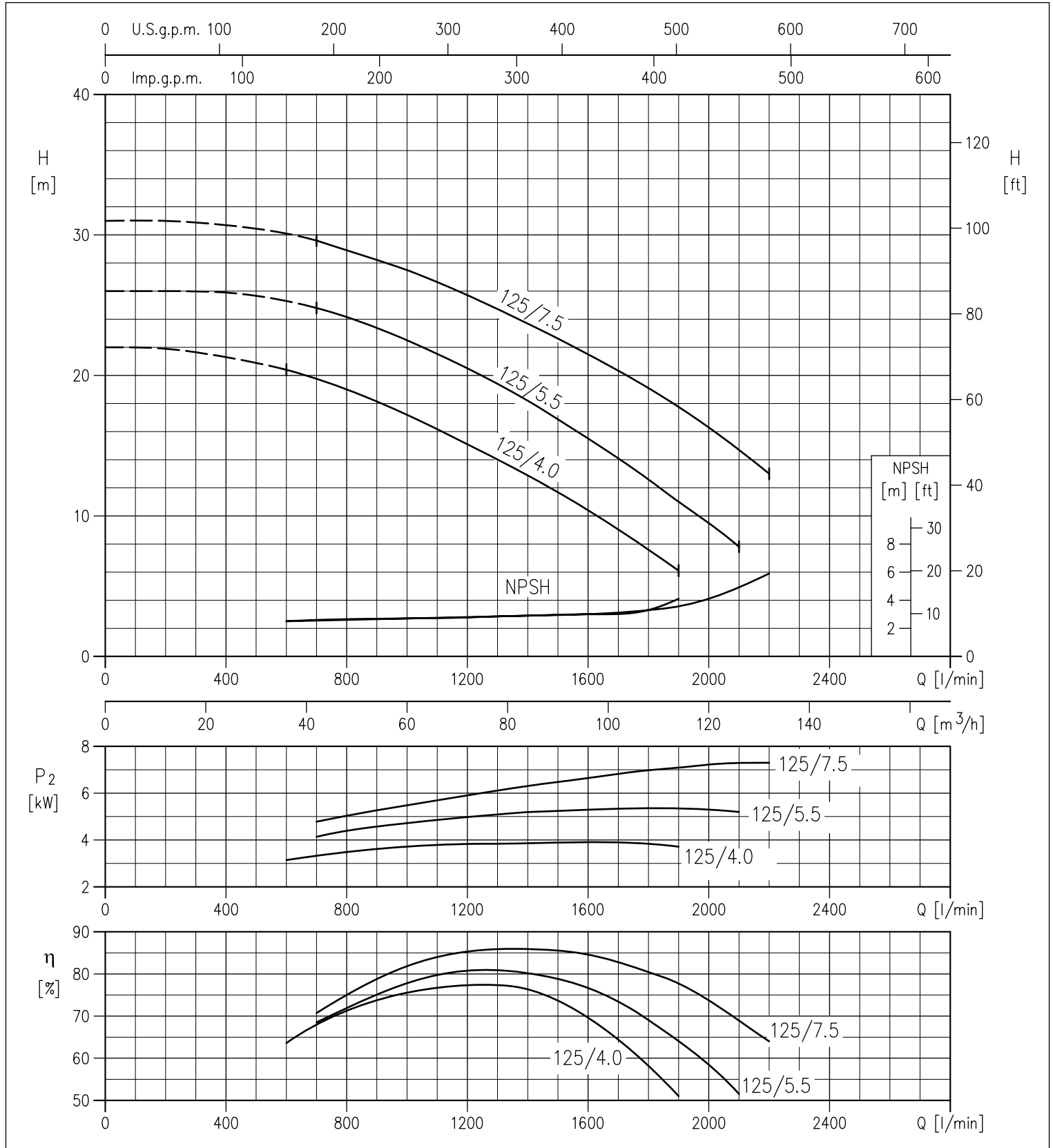


# 3D SERIES

## CENTRIFUGAL PUMPS CLOSE COUPLED AND STANDARDIZED EN 733

PERFORMANCE CURVES 3D(.) SERIES 65-125 at 2900 min<sup>-1</sup> (according to ISO 9906 Attachment A)

2 Poles



The contents of this publication must not be regarded as binding. EBARA Pumps Europe S.p.A. reserves the right to effect any modification it deems necessary, without prior notice.

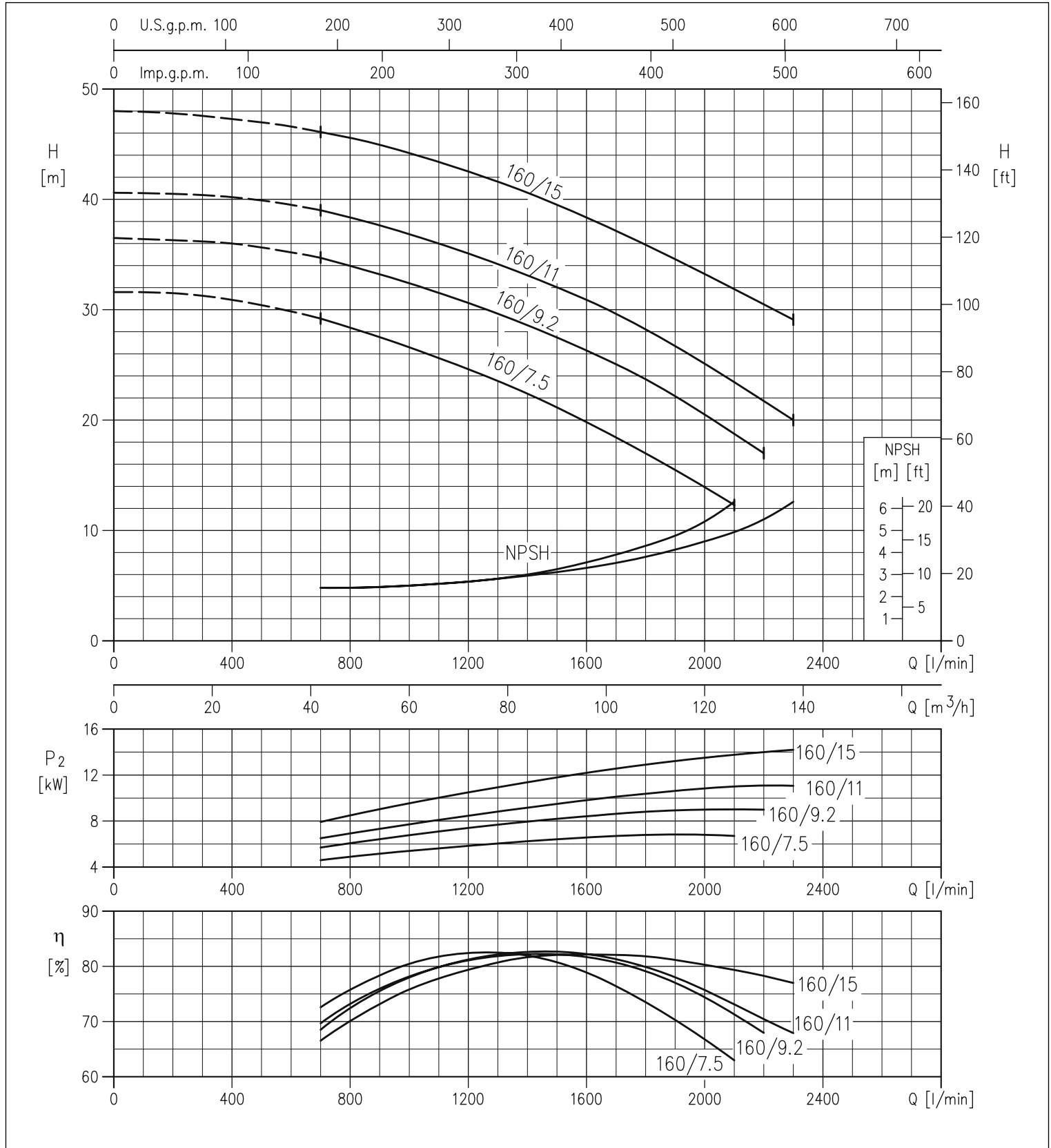


# 3D SERIES

## CENTRIFUGAL PUMPS CLOSE COUPLED AND STANDARDIZED EN 733

PERFORMANCE CURVES 3D(.) SERIES 65-160 at 2900 min<sup>-1</sup> (according to ISO 9906 Attachment A)

2 Poles



The contents of this publication must not be regarded as binding. EBARA Pumps Europe S.p.A. reserves the right to effect any modification it deems necessary without prior notice.



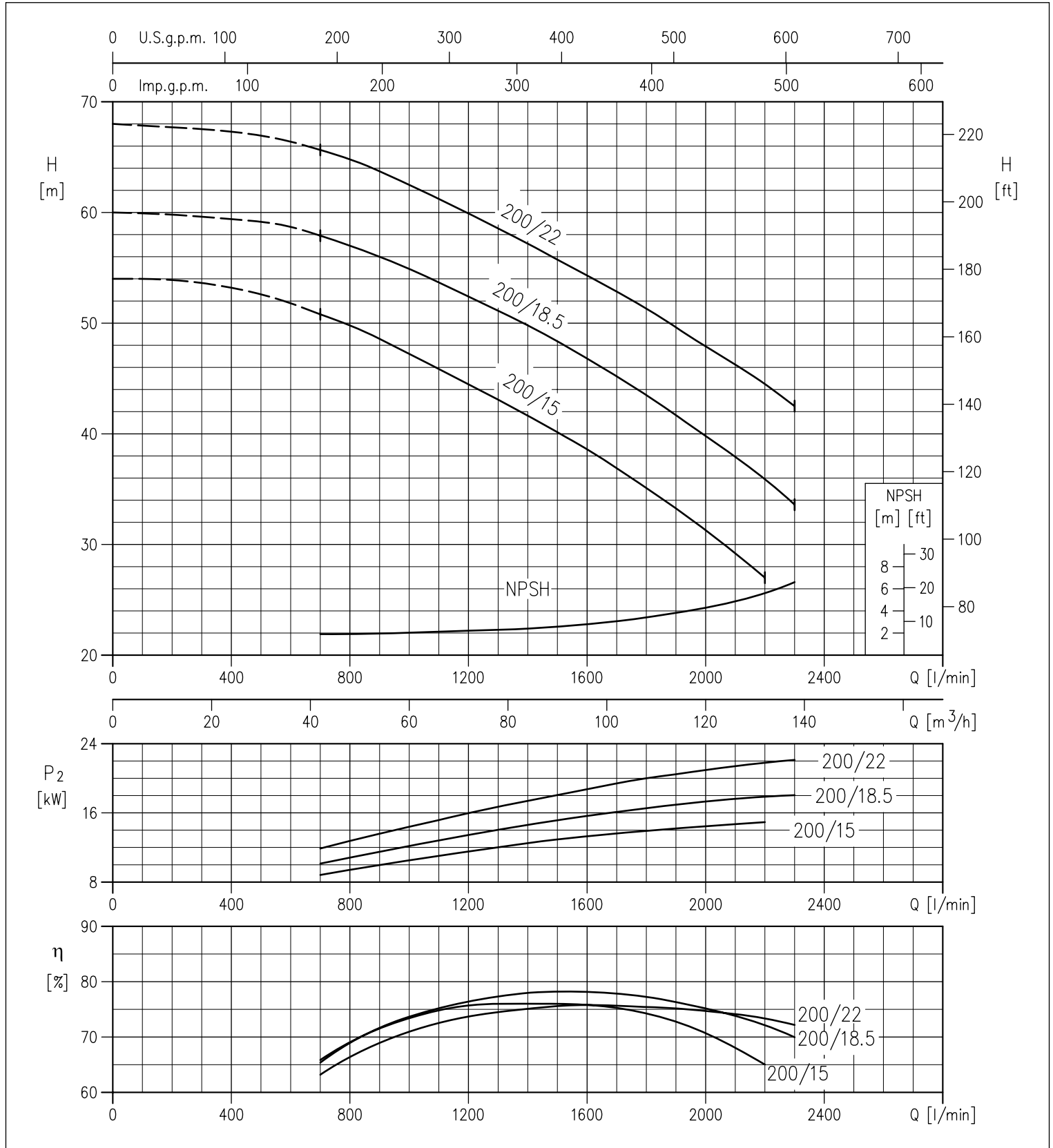


# 3D SERIES

## CENTRIFUGAL PUMPS CLOSE COUPLED AND STANDARDIZED EN 733

PERFORMANCE CURVES 3D(.) SERIES 65-200 at 2900 min<sup>-1</sup> (according to ISO 9906 Attachment A)

2 Poles



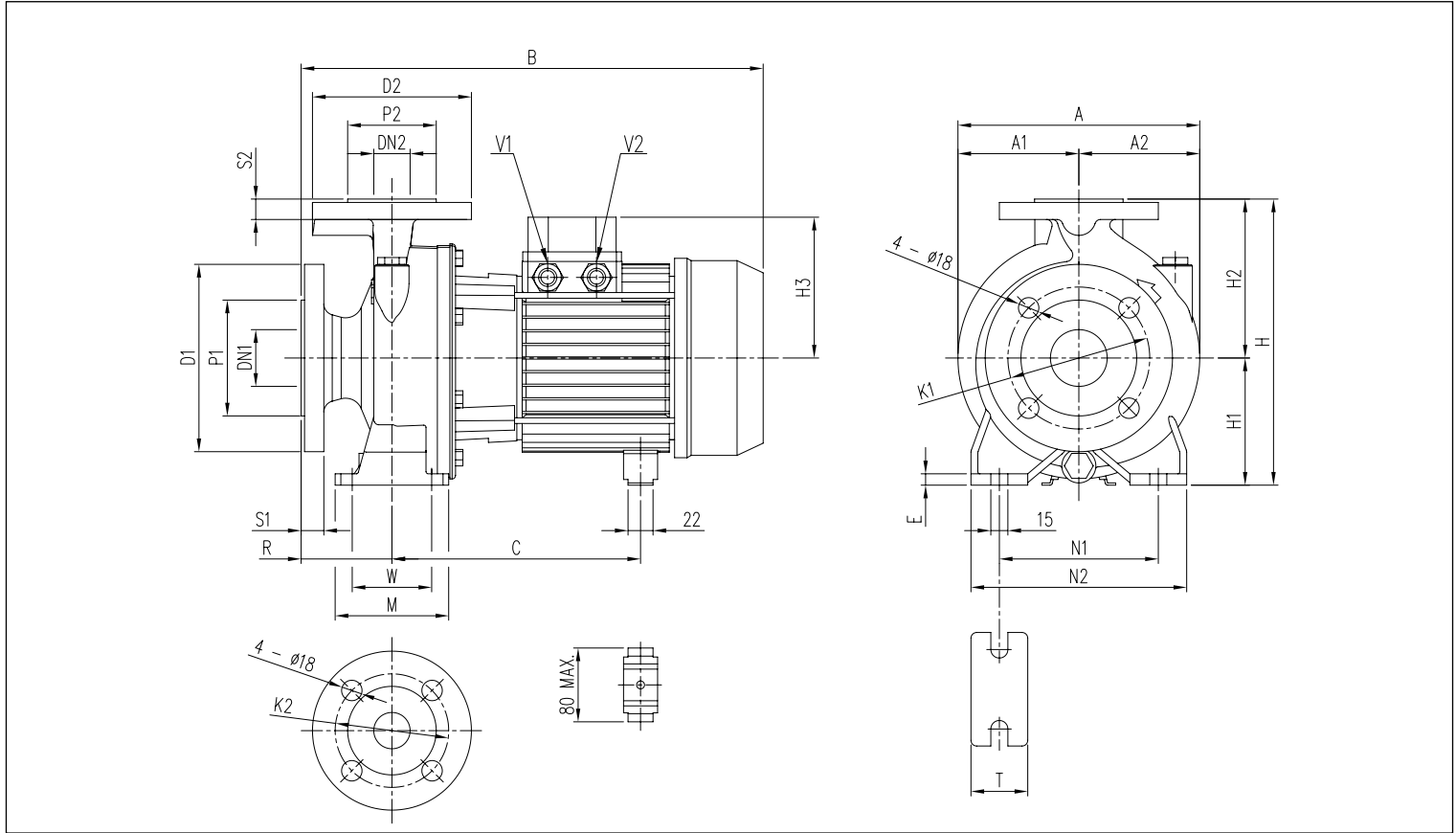
The contents of this publication must not be regarded as binding. EBARA Pumps Europe S.p.A. reserves the right to effect any modification it deems necessary, without prior notice.

# 3D SERIES

## CENTRIFUGAL PUMPS CLOSE COUPLED AND STANDARDIZED EN 733

DIMENSIONS 3D SERIES - up to 11kW

2 Poles



DIMENSIONAL TABLE

Model	Dimensions [mm]																													Weight [kg]								
	DN1 Ø	P1 Ø	K1 Ø	D1 Ø	S1	DN2 Ø	P2 Ø	K2 Ø	D2 Ø	S2	H	H1	H2	H3 [2]	[1]	R	W	M	N1	N2	T	E	A	A1	A2	B [2]	[1]	[*]	C [2]	[1]	V1 [1]	V2 [2]	[1]	[2]	[*]			
3D 32-125/1.1(M)	50	102	125	165	20	32	78	100	140	18	252	112	140	141	124	80	70	100	140	190	50	10	213	106.5	106.5	408	407	-	219±230	219±230	-	M20x1,5	PG13,5	25,0	29,5	-		
3D 32-160/1.5(M)	50	102	125	165	20	32	78	100	140	18	292	132	160	141	124	80	70	100	190	240	50	10	254	127	127	408	432	-	219±230	219±230	-	M20x1,5	PG13,5	29,0	33,5	-		
3D 32-160/2.2(M)	50	102	125	165	20	32	78	100	140	18	292	132	160	141	124	80	70	100	190	240	50	10	254	127	127	408	432	-	219±230	244±255	-	M20x1,5	PG13,5	35,7	36,0	-		
3D 32-200/3.0	50	102	125	165	20	32	78	100	140	18	340	160	180	-	124	80	70	100	190	240	50	10	296	148	148	-	471	-	-	244±255	-	-	PG13,5	-	PG16	-	47,5	-
3D 32-200/4.0	50	102	125	165	20	32	78	100	140	18	340	160	180	-	141	80	70	100	190	240	50	10	296	148	148	-	494	-	-	253	-	-	PG16	-	PG16	-	50,0	-
3D 32-200/7.5	50	102	125	165	20	32	78	100	140	18	340	160	180	-	150	80	70	100	190	240	50	10	296	148	148	-	519	539	-	275	PG13,5	-	PG16	-	PG16	-	62,0	65,1
3D 40-125/1.5(M)	65	122	145	185	20	40	88	110	150	18	252	112	140	141	124	80	70	100	160	210	50	10	220	108	112	408	407	-	219±230	219±230	-	M20x1,5	PG13,5	25,5	30,0	-		
3D 40-125/2.2(M)	65	122	145	185	20	40	88	110	150	18	292	132	160	-	124	80	70	100	190	240	50	10	220	108	112	408	432	-	219±230	244±255	-	M20x1,5	PG13,5	31,7	32,0	-		
3D 40-160/3.0	65	122	145	185	20	40	88	110	150	18	292	132	160	-	124	80	70	100	190	240	50	10	254	127	127	-	471	-	-	244±255	-	-	PG13,5	-	PG16	-	39,0	-
3D 40-160/4.0	65	122	145	185	20	40	88	110	150	18	292	132	160	-	141	80	70	100	190	240	50	10	254	127	127	-	494	-	-	253	-	-	PG16	-	PG16	-	48,0	-
3D 40-200/5.5	65	122	145	185	20	40	88	110	150	18	340	160	180	-	150	100	70	100	212	265	50	10	296	148	148	-	539	-	-	275	PG13,5	-	PG16	-	PG16	-	60,0	-
3D 40-200/7.5	65	122	145	185	20	40	88	110	150	18	340	160	180	-	150	100	70	100	212	265	50	10	296	148	148	-	539	559	-	275	PG13,5	-	PG16	-	PG16	-	63,0	66,1
3D 40-200/11	65	122	145	185	20	40	88	110	150	18	340	160	180	-	178	100	70	100	212	265	50	10	296	148	148	-	595	-	-	359	PG13,5	-	PG21	-	PG21	-	80,0	82,4
3D 50-125/2.2(M)	65	122	145	185	20	50	102	125	165	20	292	132	160	141	124	100	70	100	190	240	50	10	254	127	127	428	452	-	219±230	244±255	-	M20x1,5	PG13,5	34,4	37,0	-		
3D 50-125/3.0	65	122	145	185	20	50	102	125	165	20	292	132	160	-	124	100	70	100	190	240	50	10	254	127	127	-	491	-	-	244±255	-	-	PG13,5	-	PG16	-	39,5	-
3D 50-125/4.0	65	122	145	185	20	50	102	125	165	20	292	132	160	-	141	100	70	100	190	240	50	10	254	127	127	-	514	-	-	253	-	-	PG16	-	PG16	-	48,0	-
3D 50-160/5.5	65	122	145	185	20	50	102	125	165	20	340	160	180	-	150	100	70	100	212	265	50	10	296	148	148	-	539	-	-	275	PG13,5	-	PG16	-	PG16	-	60,0	-
3D 50-160/7.5	65	122	145	185	20	50	102	125	165	20	340	160	180	-	150	100	70	100	212	265	50	10	296	148	148	-	539	559	-	275	PG13,5	-	PG16	-	PG16	-	64,0	67,1
3D 50-200/9.2	65	122	145	185	20	50	102	125	165	20	360	160	200	-	178	100	70	100	212	265	50	10	296	148	148	-	595	-	-	359	PG13,5	-	PG21	-	PG21	-	77,0	77
3D 50-200/11	65	122	145	185	20	50	102	125	165	20	360	160	200	-	178	100	70	100	212	265	50	10	296	148	148	-	595	-	-	359	PG13,5	-	PG21	-	PG21	-	80,0	82,4
3D 65-125/4.0	80	138	160	200	22	65	122	145	185	20	340	160	180	-	141	100	95	125	212	280	65	12	263	127	136	-	514	-	-	253	-	-	PG16	-	PG16	-	53,0	-
3D 65-125/5.5	80	138	160	200	22	65	122	145	185	20	340	160	180	-	150	100	95	125	212	280	65	12	263	127	136	-	539	-	-	275	PG13,5	-	PG16	-	PG16	-	65,0	-
3D 65-125/7.5	80	138	160	200	22	65	122	145	185	20	340	160	180	-	150	100	95	125	212	280	65	12	263	127	136	-	539	559	-	275	PG13,5	-	PG16	-	PG16	-	69,5	72,6
3D 65-160/7.5	80	138	160	200	22	65	122	145	185	20	360	160	200	-	150	100	95	125	212	280	65	12	296	148	148	-	539	559	-	275	PG13,5	-	PG16	-	PG16	-	70,0	73,1
3D 65-160/9.2	80	138	160	200	22	65	122	145	185	20	360	160	200	-	178	100	95	125	212	280	65	12	296	148	148	-	595	-	-	359	PG13,5	-	PG21	-	PG21	-	85,0	85
3D 65-160/11	80	138	160	200	22	65	122	145	185	20	360	160	200	-	178	100	95	125	212	280	65	12	296	148	148	-	595	-	-	359	PG13,5	-	PG21	-	PG21	-	85,0	87,4

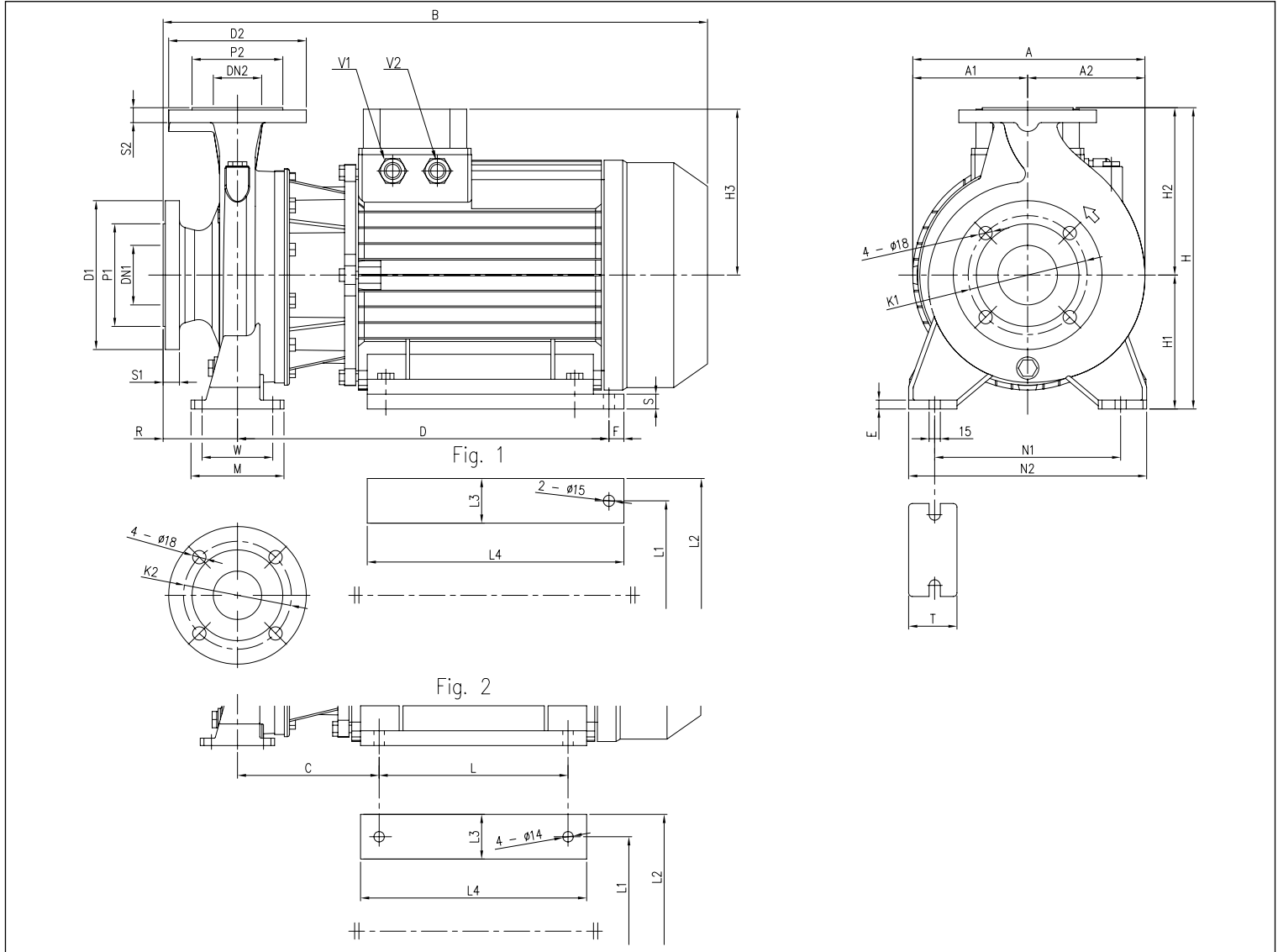
[1]= Three phase only [2]= Single phase only [\*]= IE3 motors only

# 3D SERIES

## CENTRIFUGAL PUMPS CLOSE COUPLED AND STANDARDIZED EN 733

### DIMENSIONS 3D SERIES - from 15kW and above

2 Poles



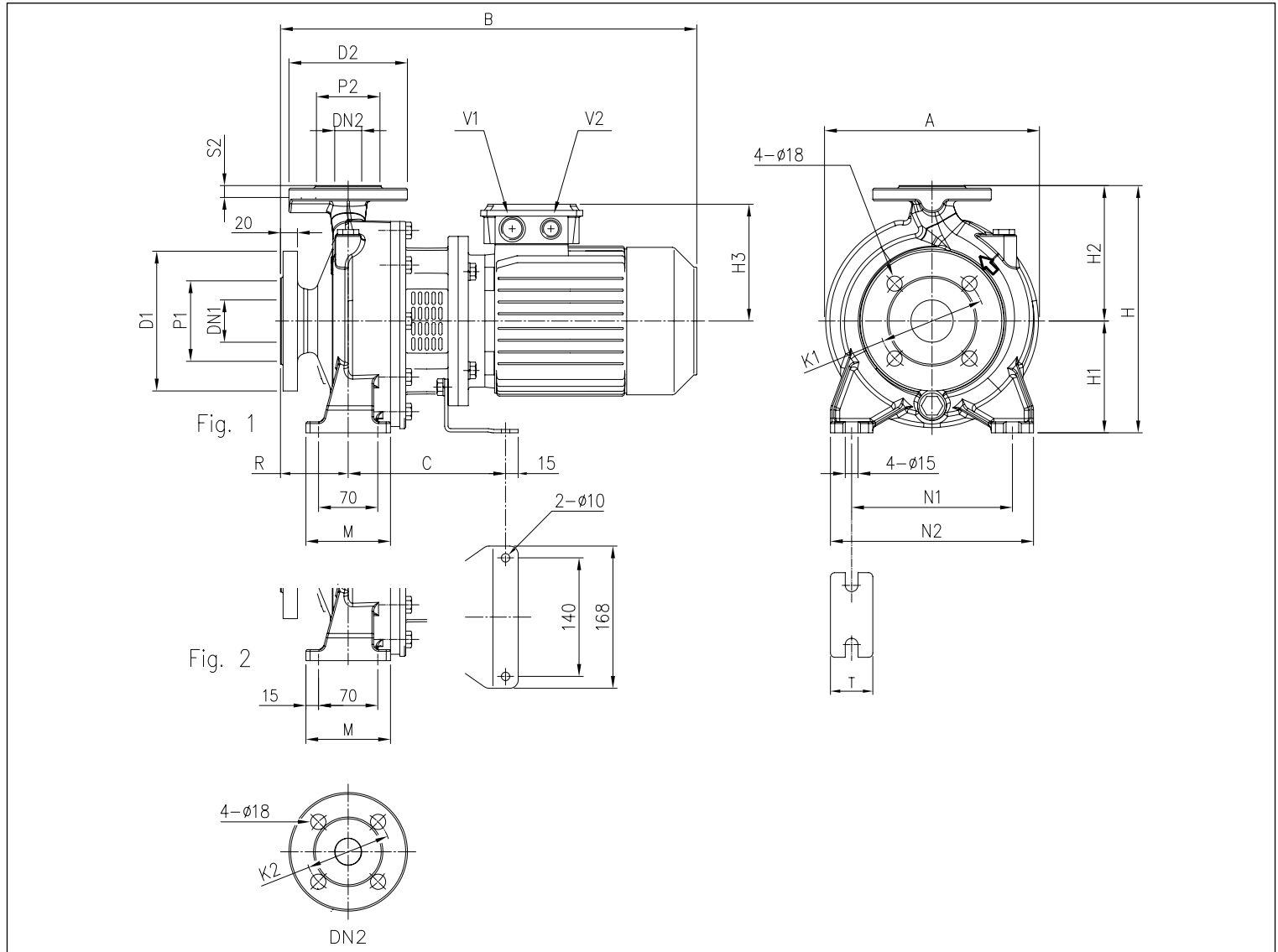
### DIMENSIONAL TABLE

Model	Dimensions [mm]																				Weight [kg]																		
	DN1	P1	K1	D1	S1	DN2	P2	K2	D2	S2	H	H1	H2	H3	Fig.	R	W	M	N1	N2	T	E	A	A1	A2	B	C	L	L1	L2	L3	L4	D	F	S	V1	V2	[*]	[*]
3D 50-200/15	65	122	145	185	20	50	102	125	165	20	360	160	200	223	2	100	70	100	212	265	50	10	296	154,5	141,5	723	190,5	254	254	318	64	304	-	-	-	PG 21	PG 21	121,0	124,1
3D 65-160/15	80	138	160	200	22	65	122	145	185	20	360	160	200	223	2	100	95	125	212	280	65	12	296	154,5	141,5	732	199,5	254	254	318	64	304	-	-	-	PG 21	PG 21	126,0	129,1
3D 65-200/15	80	138	160	200	22	65	122	145	185	20	405	180	225	223	1	100	95	125	250	320	65	12	312	154,5	157,5	732	-	-	254	314	60	345	499,5	20	20	PG 21	PG 21	126,0	129,1
3D 65-200/18,5	80	138	160	200	22	65	122	145	185	20	405	180	225	223	1	100	95	125	250	320	65	12	312	154,5	157,5	732	-	-	254	314	60	345	499,5	20	20	PG 21	PG 21	140,0	146,3
3D 65-200/22	80	138	160	200	22	65	122	145	185	20	405	180	225	223	1	100	95	125	250	320	65	12	312	154,5	157,5	732	-	-	254	314	60	345	499,5	20	20	PG 21	PG 21	152,0	158,1

[\*]= IE3 motors only

### DIMENSIONS 3DS SERIES 32, 40, 50

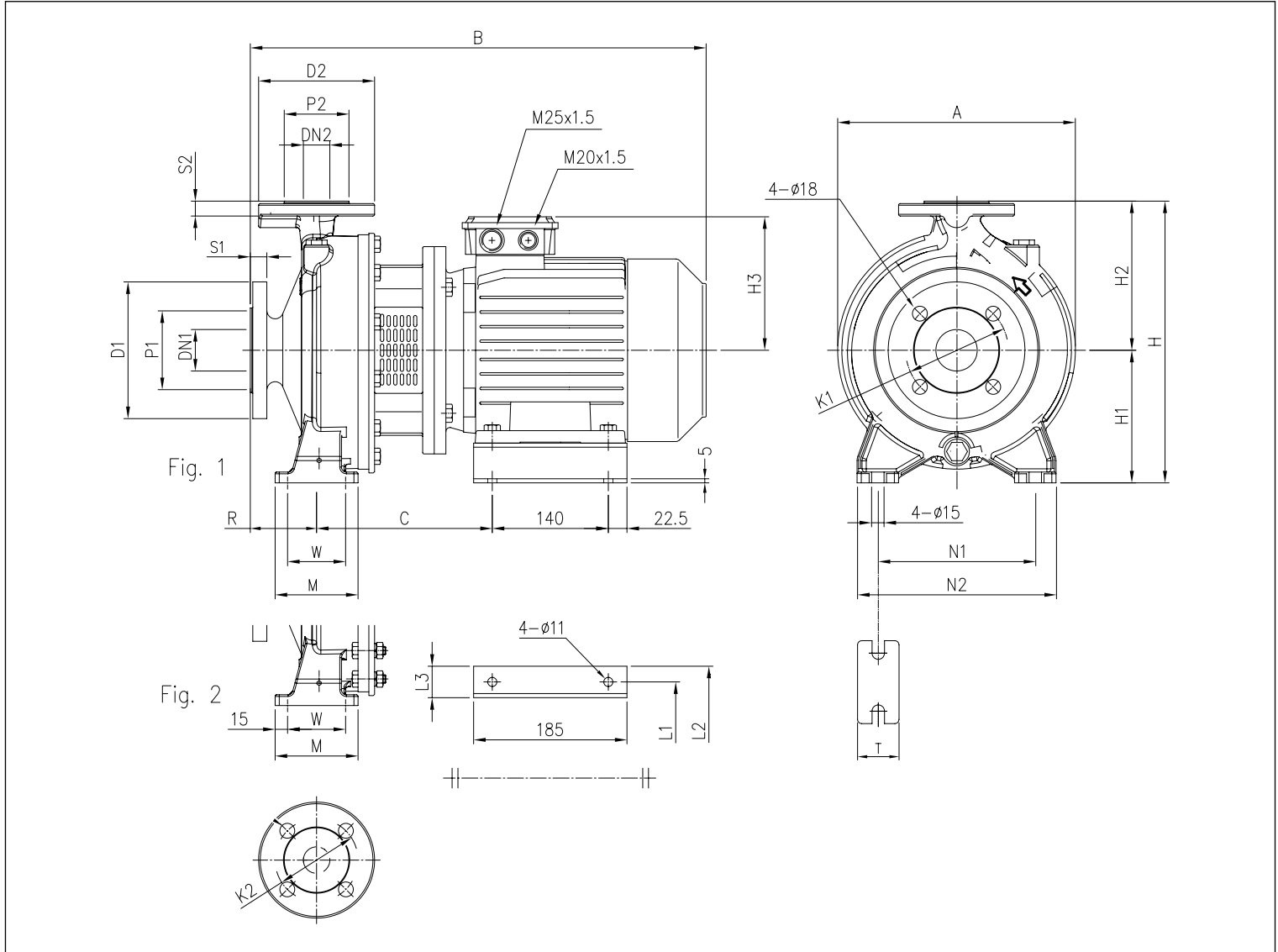
2 Poles



### DIMENSIONAL TABLE

Model	Dimensions [mm]																				Weight [kg]				
	DN1 Ø	P1 Ø	K1 Ø	D1 Ø	DN2 Ø	P2 Ø	K2 Ø	D2 Ø	S2	Fig.	H	H1	H2	H3	R	M	N1	N2	T	A		B	C	V1	V2
3DS 32-125/1.1	50	102	125	165	32	78	100	140	18	1	252	112	140	139	80	100	140	190	50	213	430	174	M25x1,5	M20x1,5	30,5
3DS 32-160/1.5	50	102	125	165	32	75	100	140	18	1	292	132	160	148	80	100	190	240	50	254	477	186	M25x1,5	M20x1,5	36,3
3DS 32-160/2.2	50	102	125	165	32	75	100	140	18	1	292	132	160	148	80	100	190	240	50	254	477	186	M25x1,5	M20x1,5	40,4
3DS 40-125/1.5	65	115	145	185	40	80	110	150	14	1	252	112	140	148	80	114	160	210	50	213	477	186	M25x1,5	M20x1,5	31,9
3DS 40-125/2.2	65	115	145	185	40	80	110	150	14	1	252	112	140	148	80	114	160	210	50	213	477	186	M25x1,5	M20x1,5	35,5
3DS 50-125/2.2	65	115	145	185	50	95	125	165	16	2	292	132	160	148	100	114	190	240	50	254	497	186	M25x1,5	M20x1,5	37,9

The contents of this publication must not be regarded as binding. EBARA Pumps Europe S.p.A. reserves the right to effect any modification it deems necessary without prior notice.

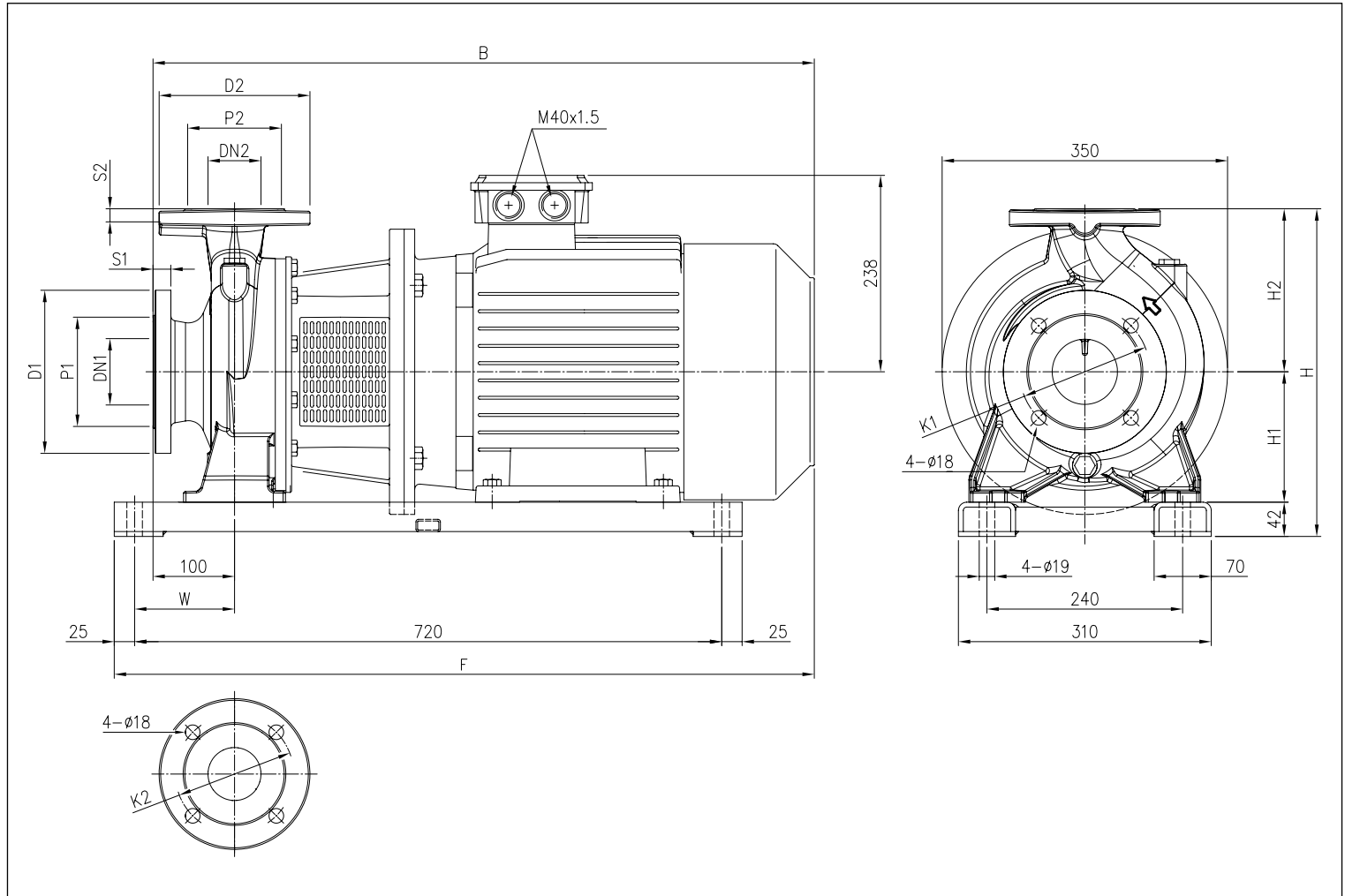


**DIMENSIONAL TABLE**

Model	Dimensions [mm]																							Weight [kg]				
	DN1 Ø	P1 Ø	K1 Ø	D1 Ø	S1	DN2 Ø	P2 Ø	K2 Ø	D2 Ø	S2	Fig.	H	H1	H2	H3	R	W	M	N1	N2	T	A	B		C	L1	L2	L3
3DS 32-200/3.0	50	102	125	165	20	32	78	100	140	18	1	340	160	180	155	80	70	100	190	240	50	296	528	205	160	202	42	59,3
3DS 32-200/4.0	50	102	125	165	20	32	78	100	140	18	1	340	160	180	171	80	70	100	190	240	50	296	550	212	190	228	38	60,8
3DS 65-125/4.0	80	138	160	200	22	65	122	145	185	20	2	340	160	180	171	100	95	125	212	280	65	180	570	212	190	228	38	65,4

### DIMENSIONS 3DS SERIES 40, 50, 65

2 Poles



### DIMENSIONAL TABLE

Model	Dimensions [mm]																Weight [kg]	
	DN1 Ø	P1 Ø	K1 Ø	D1 Ø	S1	DN2 Ø	P2 Ø	K2 Ø	D2 Ø	S2	H	H1	H2	W	B	F	[*]	[*]
3DS 40-200/11	65	122	145	185	20	40	88	110	150	18	382	160	180	110	796	833	120,0	130,8
3DS 50-200/11	65	122	145	185	20	50	102	125	165	20	402	160	200	110	796	833	120,0	130,8
3DS 50-200/15	65	122	145	185	20	50	102	125	165	20	402	160	200	110	796	833	150,0	166,9
3DS 65-160/11	80	138	160	200	22	65	115	145	185	20	402	160	200	123	806	846	96,0	106,8
3DS 65-160/15	80	138	160	200	22	65	115	145	185	20	402	160	200	123	806	846	126,0	142,9

[\*]= IE3 motors only

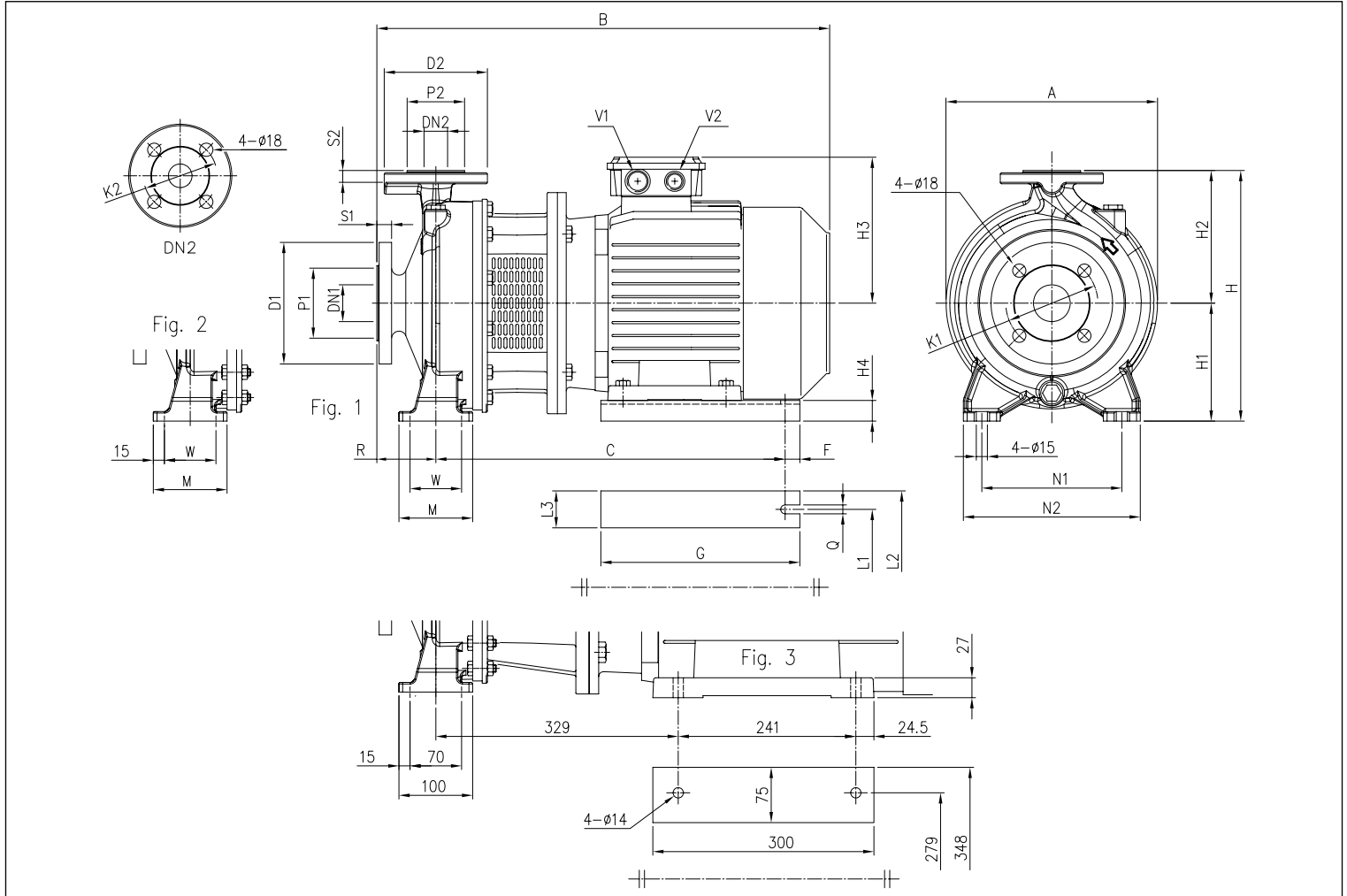
The contents of this publication must not be regarded as binding. EBARA Pumps Europe S.p.A. reserves the right to effect any modification it deems necessary without prior notice.

# 3D SERIES

## CENTRIFUGAL PUMPS CLOSE COUPLED AND STANDARDIZED EN 733

DIMENSIONS 3DS SERIES 32, 40, 50, 65

2 Poles



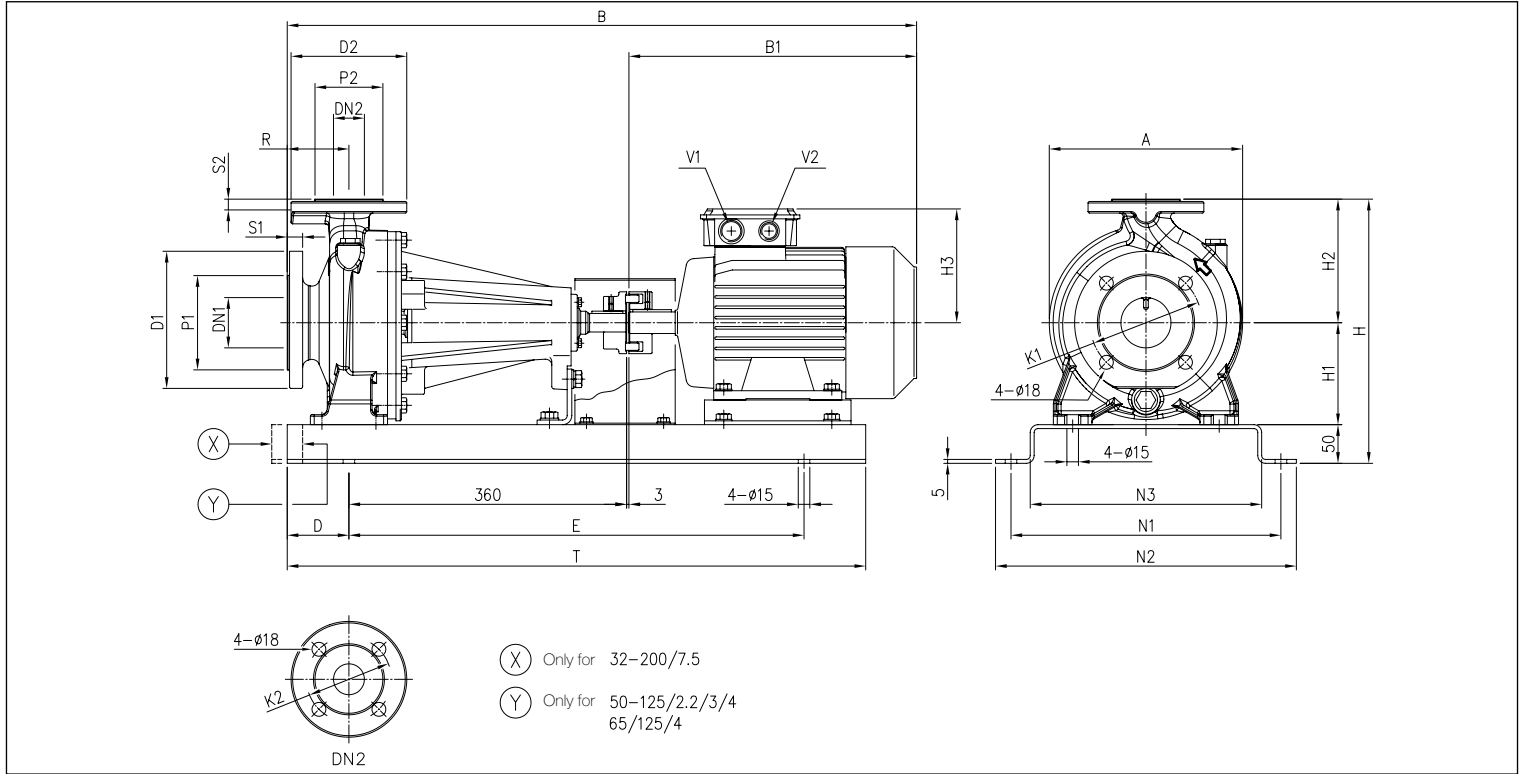
DIMENSIONAL TABLE

Model	Dimensions [mm]																										Weight [kg]										
	DN1	P1	K1	D1	S1	DN2	P2	K2	D2	S2	Fig.	H	H1	H2	H3	H4	R	W	M	N1	N2	T	A	B	C	F		G	Q	L1	L2	L3	V1	V2			
3DS 32-200/7.5	50	102	125	165	20	32	78	100	140	18	1	340	160	180	198	28	80	70	100	190	240	50	296	607	479	15	270	12	216	266	50	M32X1,5	M32X1,5	90,0	92		
3DS 40-160/3.0	65	122	145	185	20	40	88	110	150	18	1	292	132	160	155	32	80	70	100	190	240	50	254	528	388	15	220	12	160	200	40	M25X1,5	M20X1,5	65,6	-		
3DS 40-160/4.0	65	122	145	185	20	40	88	110	150	18	1	292	132	160	171	20	80	70	100	190	240	50	254	550	395	15	220	12	190	240	50	M25X1,5	M20X1,5	51,8	-		
3DS 40-200/5.5	65	122	145	185	20	40	88	110	150	18	2	340	160	180	198	28	100	70	100	212	265	50	296	627	479	15	270	12	216	266	50	M32X1,5	M32X1,5	79,7	-		
3DS 40-200/7.5	65	122	145	185	20	40	88	110	150	18	2	340	160	180	198	28	100	70	100	212	265	50	296	627	479	15	270	12	216	266	50	M32X1,5	M32X1,5	86,8	88,8		
3DS 50-125/3.0	65	122	145	185	20	50	102	125	165	20	2	292	132	160	155	32	100	70	100	190	240	50	254	548	388	15	220	12	160	200	40	M25X1,5	M20X1,5	44,1	-		
3DS 50-125/4.0	65	122	145	185	20	50	102	125	165	20	2	292	132	160	171	20	100	70	100	190	240	50	254	570	395	15	220	12	190	240	50	M25X1,5	M20X1,5	52,7	-		
3DS 50-160/5.5	65	122	145	185	20	50	102	125	165	20	2	340	160	180	198	28	100	70	100	212	265	50	296	627	479	15	270	12	216	266	50	M32X1,5	M32X1,5	77,3	-		
3DS 50-160/7.5	65	122	145	185	20	50	102	125	165	20	2	340	160	180	198	28	100	70	100	212	265	50	296	627	479	15	270	12	216	266	50	M32X1,5	M32X1,5	97,5	99,5		
3DS 50-200/9.2	65	122	145	185	20	50	102	125	165	20	2	360	160	200	198	28	100	70	100	212	265	50	296	667	479	15	270	12	216	266	50	M32X1,5	M32X1,5	102,8	104		
3DS 65-125/5.5	80	138	160	200	22	65	122	145	185	20	2	340	160	180	198	28	100	95	125	212	280	65	263	627	479	15	270	12	216	266	50	M32X1,5	M32X1,5	76,3	-		
3DS 65-125/7.5	80	138	160	200	22	65	122	145	185	20	2	340	160	180	198	28	100	95	125	212	280	65	263	627	479	15	270	12	216	266	50	M32X1,5	M32X1,5	97,9	99,9		
3DS 65-160/7.5	80	138	160	200	22	65	122	145	185	20	2	360	160	200	198	28	100	95	125	212	280	65	296	627	479	15	270	12	216	266	50	M32X1,5	M32X1,5	98,2	99,2		
3DS 65-160/9.2	80	138	160	200	22	65	122	145	185	20	2	360	160	200	198	28	100	95	125	212	280	65	296	667	479	15	270	12	216	266	50	M32X1,5	M32X1,5	107,0	108		
3DS 65-200/15	80	138	160	200	22	65	122	145	185	20	2	405	180	225	238	20	100	95	125	250	320	65	312	806	621	20	350	14	254	314	60	M40X1,5	M40X1,5	140,1	156,9		
3DS 65-200/18.5	80	138	160	200	22	65	122	145	185	20	2	405	180	225	238	20	100	95	125	250	320	65	312	850	621	20	350	14	254	314	60	M40X1,5	M40X1,5	151,7	158,5		
3DS 65-200/22	80	138	160	200	22	65	122	145	185	20	3	405	180	225	238	-	100	-	-	250	320	65	312	885	-	-	-	-	-	-	-	-	-	M40X1,5	M40X1,5	190,0	197

[\*]= IE3 motors only

### DIMENSIONS 3DP SERIES 32, 40, 50, 65

2 Poles



### DIMENSIONAL TABLE

Model	Dimensions [mm]																				Weight [kg]							
	DN1 Ø	P1 Ø	K1 Ø	D1 Ø	S1	DN2 Ø	P2 Ø	K2 Ø	D2 Ø	S2	H	H1	H2	H3	R	A	B	B1	D	E	N1	N2	N3	T	V1	V2	[*]	
3DP 32-125/1.1	50	102	125	165	20	32	78	100	140	18	302	112	140	139	80	213	715	272	80	550	300	340	250	710	M25x1,5	M20x1,5	50,5	-
3DP 32-160/1.5	50	102	125	165	20	32	78	100	140	18	342	132	160	148	80	254	760	317	80	590	350	390	300	750	M25x1,5	M20x1,5	58,5	-
3DP 32-160/2.2	50	102	125	165	20	32	78	100	140	18	342	132	160	148	80	254	760	317	80	590	350	390	300	750	M25x1,5	M20x1,5	61,5	-
3DP 32-200/3.0	50	102	125	165	20	32	78	100	140	18	390	160	180	155	80	296	809	366	80	590	350	390	300	750	M25x1,5	M20x1,5	83,9	-
3DP 32-200/4.0	50	102	125	165	20	32	78	100	140	18	390	160	180	171	80	296	831	388	80	590	350	390	300	750	M25x1,5	M20x1,5	86,9	-
3DP 32-200/7.5	50	102	125	165	20	32	78	100	140	18	390	160	180	198	80	296	885	442	100	650	350	390	300	850	M32x1,5	M32x1,5	115,2	117,2
3DP 40-125/1.5	65	122	145	185	20	40	88	110	150	18	302	112	140	148	80	220	760	317	80	550	300	340	250	710	M25x1,5	M20x1,5	76,2	-
3DP 40-125/2.2	65	122	145	185	20	40	88	110	150	18	302	112	140	148	80	220	760	317	80	550	300	340	250	710	M25x1,5	M20x1,5	56,9	-
3DP 40-160/3.0	65	122	145	185	20	40	88	110	150	18	342	132	160	155	80	254	809	366	80	590	350	390	300	750	M25x1,5	M20x1,5	93,4	-
3DP 40-160/4.0	65	122	145	185	20	40	88	110	150	18	342	132	160	171	80	254	831	388	80	590	350	390	300	750	M25x1,5	M20x1,5	74,8	-
3DP 40-200/5.5	65	122	145	185	20	40	88	110	150	18	390	160	180	198	100	296	905	442	100	650	350	390	300	850	M32x1,5	M20x1,5	105,0	-
3DP 40-200/7.5	65	122	145	185	20	40	88	110	150	18	390	160	180	198	100	296	905	442	100	650	350	390	300	850	M32x1,5	M32x1,5	111,7	113,7
3DP 40-200/11	65	122	145	185	20	40	88	110	150	18	390	160	180	238	100	296	1071	610	100	800	380	420	330	1000	M40x1,5	M40x1,5	129,8	140,6
3DP 50-125/2.2	65	122	145	185	20	50	102	125	165	20	342	132	160	148	100	254	780	317	80	550	350	390	300	710	M25x1,5	M20x1,5	80,0	-
3DP 50-125/3.0	65	122	145	185	20	50	102	125	165	20	342	132	160	155	100	254	829	366	80	590	350	390	300	750	M25x1,5	M20x1,5	91,1	-
3DP 50-125/4.0	65	122	145	185	20	50	102	125	165	20	342	132	160	171	100	254	851	388	80	590	350	390	300	750	M25x1,5	M20x1,5	127,9	129,9
3DP 50-160/5.5	65	122	145	185	20	50	102	125	165	20	390	160	180	198	100	296	905	442	100	650	350	390	300	850	M32x1,5	M32x1,5	111,5	-
3DP 50-160/7.5	65	122	145	185	20	50	102	125	165	20	390	160	180	198	100	296	905	442	100	650	350	390	300	850	M32x1,5	M32x1,5	113,4	115,4
3DP 50-200/9.2	65	122	145	185	20	50	102	125	165	20	410	160	200	198	100	296	945	482	100	650	350	390	300	850	M32x1,5	M32x1,5	123,1	124,1
3DP 50-200/11	65	122	145	185	20	50	102	125	165	20	410	160	200	238	100	296	1071	610	100	800	380	420	330	1000	M40x1,5	M32x1,5	133,6	144,4
3DP 50-200/15	65	122	145	185	20	50	102	125	165	20	410	160	200	238	100	296	1071	610	100	800	380	420	330	1000	M40x1,5	M40x1,5	137,5	154,4
3DP 65-125/4.0	80	138	160	200	22	65	122	145	185	20	390	160	180	171	100	263	851	388	80	590	350	390	300	750	M25x1,5	M20x1,5	70,9	-
3DP 65-125/5.5	80	138	160	200	22	65	122	145	185	20	390	160	180	198	100	263	905	442	100	650	350	390	300	850	M32x1,5	M32x1,5	115,3	-
3DP 65-125/7.5	80	138	160	200	22	65	122	145	185	20	390	160	180	198	100	263	905	442	100	650	350	390	300	850	M40x1,5	M32x1,5	134,1	144,4
3DP 65-160/7.5	80	138	160	200	22	65	122	145	185	20	410	160	200	198	100	296	905	442	100	650	350	390	300	850	M32x1,5	M32x1,5	131,2	133,2
3DP 65-160/9.2	80	138	160	200	22	65	122	145	185	20	410	160	200	198	100	296	945	482	100	650	350	390	300	850	M32x1,5	M32x1,5	137,0	138
3DP 65-160/11	80	138	160	200	22	65	122	145	185	20	410	160	200	238	100	296	1071	610	100	800	380	420	330	1000	M40x1,5	M40x1,5	134,0	144,8
3DP 65-160/15	80	138	160	200	22	65	122	145	185	20	455	160	200	238	100	296	1071	610	100	800	380	420	330	1000	M40x1,5	M40x1,5	134,1	151
3DP 65-200/15	80	138	160	200	22	65	122	145	185	20	455	180	225	238	100	312	1071	610	100	800	380	420	330	1000	M40x1,5	M40x1,5	139,1	156
3DP 65-200/18.5	80	138	160	200	22	65	122	145	185	20	455	180	225	238	100	312	1115	654	100	800	380	420	330	1000	M40x1,5	M40x1,5	149,7	156,2
3DP 65-200/22	80	138	160	200	22	65	122	145	185	20	455	180	225	268	100	312	1150	690	100	800	410	450	360	1000	M40x1,5	M40x1,5	204,0	211

[\*]= IE3 motors only

The contents of this publication must not be regarded as binding. EBARA Pumps Europe S.p.A. reserves the right to effect any modification it deems necessary, without prior notice.

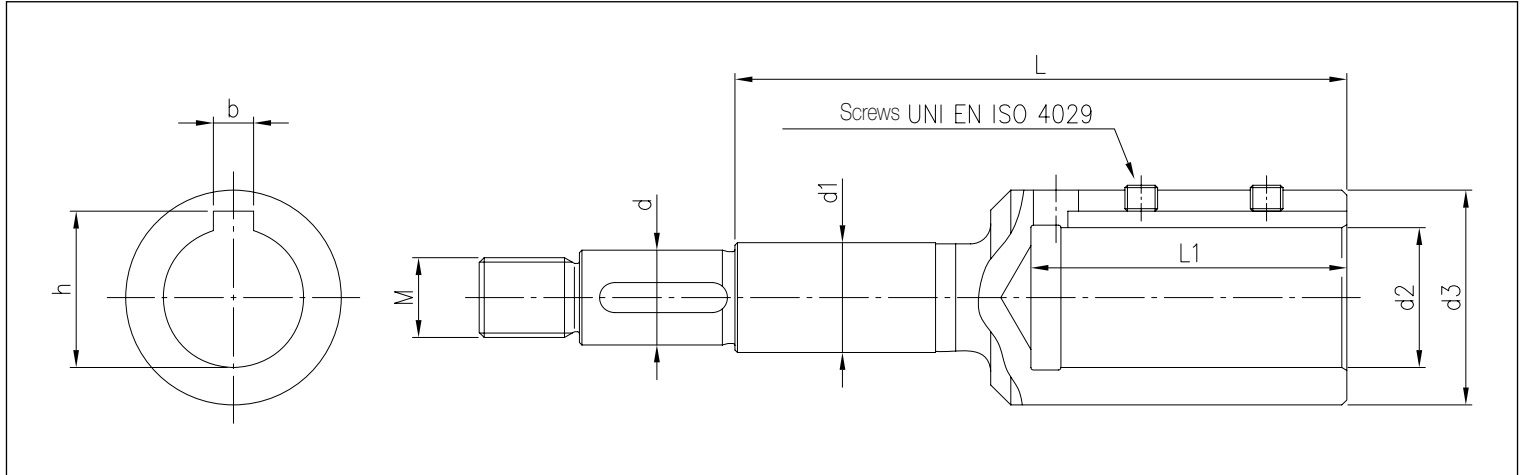


# 3D SERIES

## CENTRIFUGAL PUMPS CLOSE COUPLED AND STANDARDIZED EN 733

### Joint for 3DS SERIES

2 Poles



### DIMENSIONAL TABLE

Model	[HP]	[kW]	Motor size	Dimensions [mm]									
				d	d1	d2	d3	M	L	L1	b	h	Screws
3DS 32-125/1.1	1,5	1,1	80	19	22	19	33	M16x1,5	98	43	6	21,8	M6x6
3DS 32-160/1.5	2	1,5	90	19	22	24	39	M16x1,5	110	53	8	27,3	M8x8
3DS 32-160/2.2	3	2,2	90	19	22	24	39	M16x1,5	110	53	8	27,3	M8x8
3DS 32-200/3.0	4	3	100	19	22	28	43	M16x1,5	122	63	8	31,3	M8x8
3DS 32-200/4.0	5,5	4	112	19	22	28	43	M16x1,5	122	63	8	31,3	M8x8
3DS 32-200/7.5	10	7,5	132	19	22	38	58	M16x1,5	145	84	10	41,3	M8x8
3DS 40-125/1.5	2	1,5	90	19	22	24	39	M16x1,5	110	53	8	27,3	M8x8
3DS 40-125/2.2	3	2,2	90	19	22	24	39	M16x1,5	110	53	8	27,3	M8x8
3DS 40-160/3.0	4	3	100	19	22	28	43	M16x1,5	122	63	8	31,3	M8x8
3DS 40-160/4.0	5,5	4	112	19	22	28	43	M16x1,5	122	63	8	31,3	M8x8
3DS 40-200/5.5	7,5	5,5	132	19	22	38	58	M16x1,5	145	84	10	41,3	M8x8
3DS 40-200/7.5	10	7,5	132	19	22	38	58	M16x1,5	145	84	10	41,3	M8x8
3DS 40-200/11	15	11	160	19	22	42	63	M16x1,5	178	114	12	45,3	M8x8
3DS 50-125/2.2	3	2,2	90	19	22	24	39	M16x1,5	110	53	8	27,3	M8x8
3DS 50-125/3.0	4	3	100	19	22	28	43	M16x1,5	122	63	8	31,3	M8x8
3DS 50-125/4.0	5,5	4	112	19	22	28	43	M16x1,5	122	63	8	31,3	M8x8
3DS 50-160/5.5	7,5	5,5	132	19	22	38	58	M16x1,5	145	84	10	41,3	M8x8
3DS 50-160/7.5	10	7,5	132	19	22	38	58	M16x1,5	145	84	10	41,3	M8x8
3DS 50-200/9.2	12,5	9,2	132	19	22	38	58	M16x1,5	145	84	10	41,3	M8x8
3DS 50-200/11	15	11	160	19	22	42	63	M16x1,5	178	114	12	45,3	M8x8
3DS 50-200/15	20	15	160	22	22	42	63	M18x1,5	209	114	12	45,3	M8x8
3DS 65-125/4.0	5,5	4	112	19	22	28	43	M16x1,5	122	63	8	31,3	M8x8
3DS 65-125/5.5	7,5	5,5	132	19	22	38	58	M16x1,5	145	84	10	41,3	M8x8
3DS 65-125/7.5	10	7,5	132	19	22	38	58	M16x1,5	145	84	10	41,3	M8x8
3DS 65-160/7.5	10	7,5	132	19	22	38	58	M16x1,5	145	84	10	41,3	M8x8
3DS 65-160/9.2	12,5	9,2	132	19	22	38	58	M16x1,5	145	84	10	41,3	M8x8
3DS 65-160/11	15	11	160	19	22	42	63	M16x1,5	178	114	12	45,3	M8x8
3DS 65-160/15	20	15	160	24	30	42	63	M20x1,5	184	114	12	45,3	M8x8
3DS 65-200/15	20	15	160	24	30	42	63	M20x1,5	184	114	12	45,3	M8x8
3DS 65-200/18.5	25	18,5	160	24	30	42	63	M20x1,5	184	114	12	45,3	M8x8
3DS 65-200/22	30	22	180	24	30	48	72	M20x1,5	184	114	14	51,8	M10x10

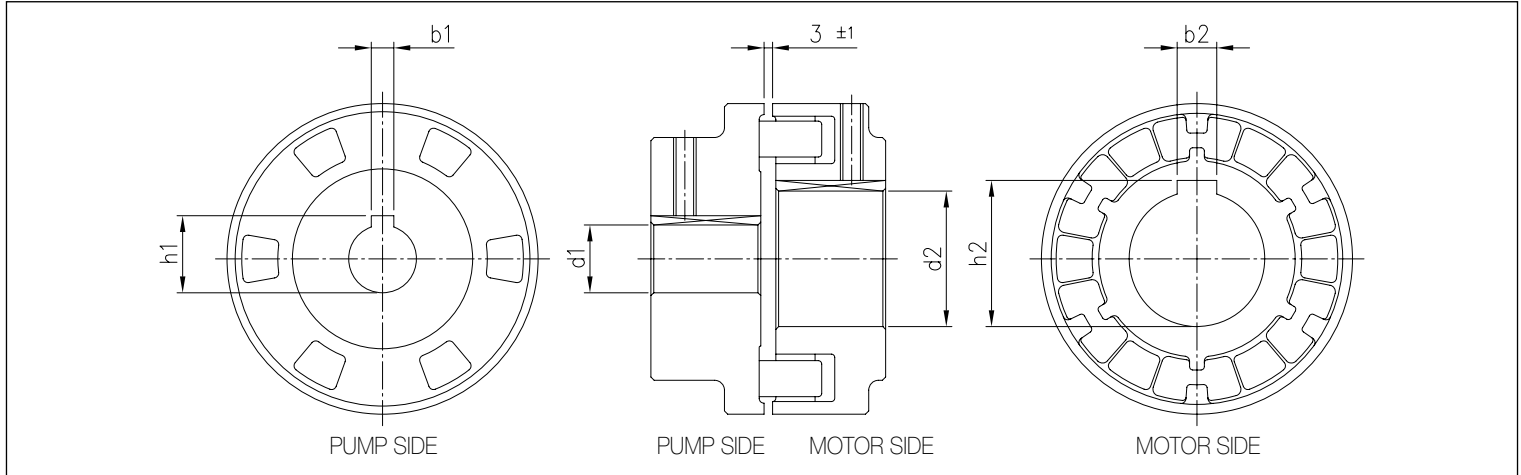
The contents of this publication must not be regarded as binding. EBARA Pumps Europe S.p.A. reserves the right to effect any modification it deems necessary, without prior notice.

# 3D SERIES

## CENTRIFUGAL PUMPS CLOSE COUPLED AND STANDARDIZED EN 733

Joint for 3DP SERIES

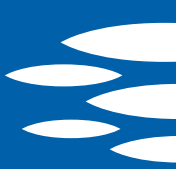
2 Poles



### DIMENSIONAL TABLE

Model	[HP]	[kW]	Motor size	Dimensions [mm]					
				d1	b1	h1	d2	b2	h2
3DP 32-125/1.1	1,5	1,1	80	24	8	27,3	19	6	21,8
3DP 32-160/1.5	2	1,5	90	24	8	27,3	24	8	27,3
3DP 32-160/2.2	3	2,2	90	24	8	27,3	24	8	27,3
3DP 32-200/3.0	4	3	100	24	8	27,3	28	8	31,3
3DP 32-200/4.0	5,5	4	112	24	8	27,3	28	8	31,3
3DP 32-200/7.5	10	7,5	132	24	8	27,3	38	10	41,3
3DP 40-125/1.5	2	1,5	90	24	8	27,3	24	8	27,3
3DP 40-125/2.2	3	2,2	90	24	8	27,3	24	8	27,3
3DP 40-160/3.0	4	3	100	24	8	27,3	28	8	31,3
3DP 40-160/4.0	5,5	4	112	24	8	27,3	28	8	31,3
3DP 40-200/5.5	7,5	5,5	132	24	8	27,3	38	10	41,3
3DP 40-200/7.5	10	7,5	132	24	8	27,3	38	10	41,3
3DP 40-200/11	15	11	160	24	8	27,3	42	12	45,3
3DP 50-125/2.2	3	2,2	90	24	8	27,3	24	8	27,3
3DP 50-125/3.0	4	3	100	24	8	27,3	28	8	31,3
3DP 50-125/4.0	5,5	4	112	24	8	27,3	28	8	31,3
3DP 50-160/5.5	7,5	5,5	132	24	8	27,3	38	10	41,3
3DP 50-160/7.5	10	7,5	132	24	8	27,3	38	10	41,3
3DP 50-200/9.2	12,5	9,2	132	24	8	27,3	38	10	41,3
3DP 50-200/11	15	11	160	24	8	27,3	42	12	45,3
3DP 50-200/15	20	15	160	24	8	27,3	42	12	45,3
3DP 65-125/4.0	5,5	4	112	24	8	27,3	28	8	31,3
3DP 65-125/5.5	7,5	5,5	132	24	8	27,3	38	10	41,3
3DP 65-160/7.5	10	7,5	132	24	8	27,3	38	10	41,3
3DP 65-160/9.2	12,5	9,2	132	24	8	27,3	38	10	41,3
3DP 65-160/11	15	11	160	24	8	27,3	42	12	45,3
3DP 65-160/15	20	15	160	24	8	27,3	42	12	45,3
3DP 65-200/15	20	15	160	24	8	27,3	42	12	45,3
3DP 65-200/18.5	25	18,5	160	24	8	27,3	42	12	45,3
3DP 65-200/22	30	22	180	24	8	27,3	48	14	51,8

The contents of this publication must not be regarded as binding. EBARA Pumps Europe S.p.A. reserves the right to effect any modification it deems necessary without prior notice.

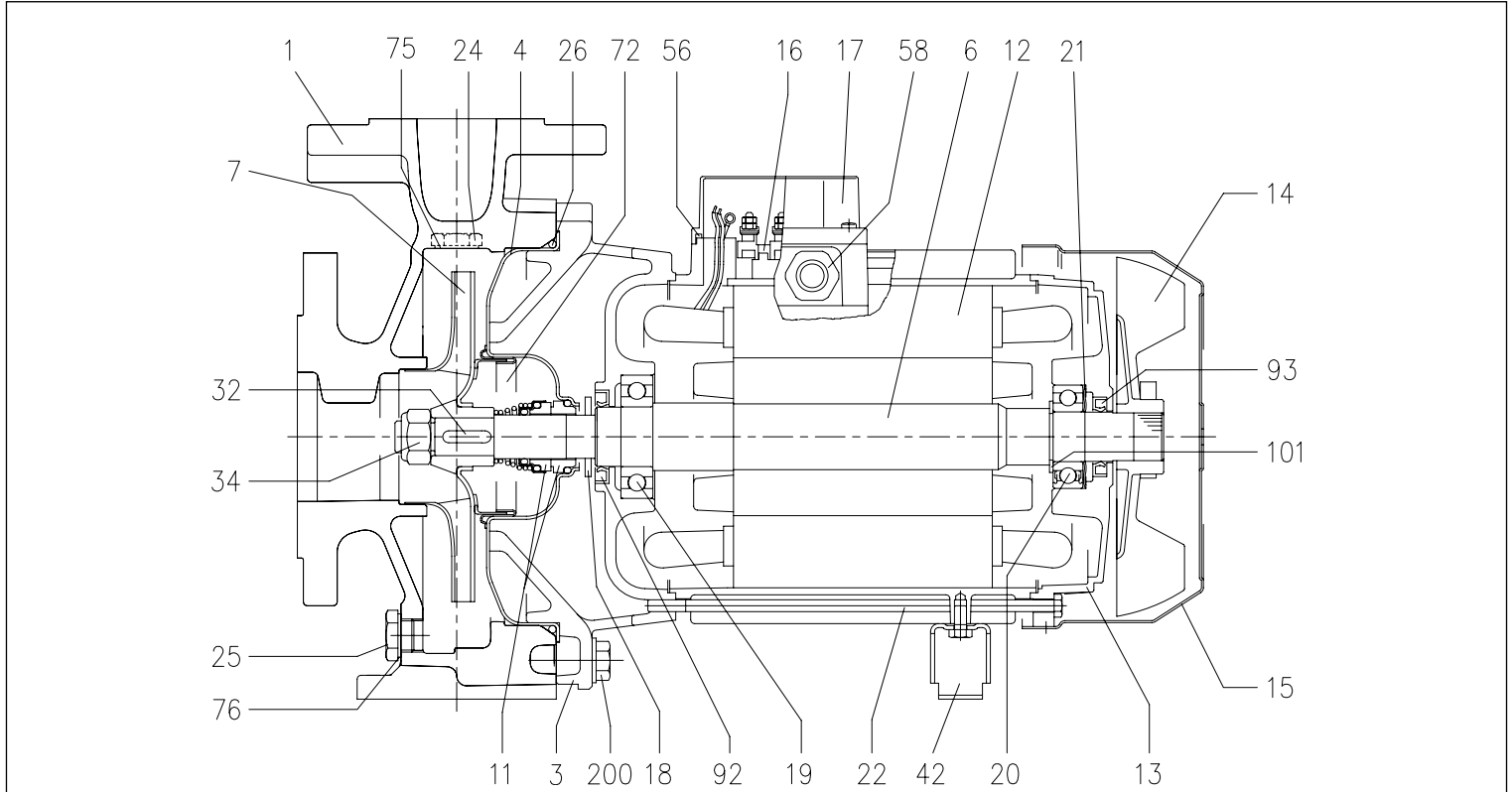


# 3D SERIES

## CENTRIFUGAL PUMPS CLOSE COUPLED AND STANDARDIZED EN 733

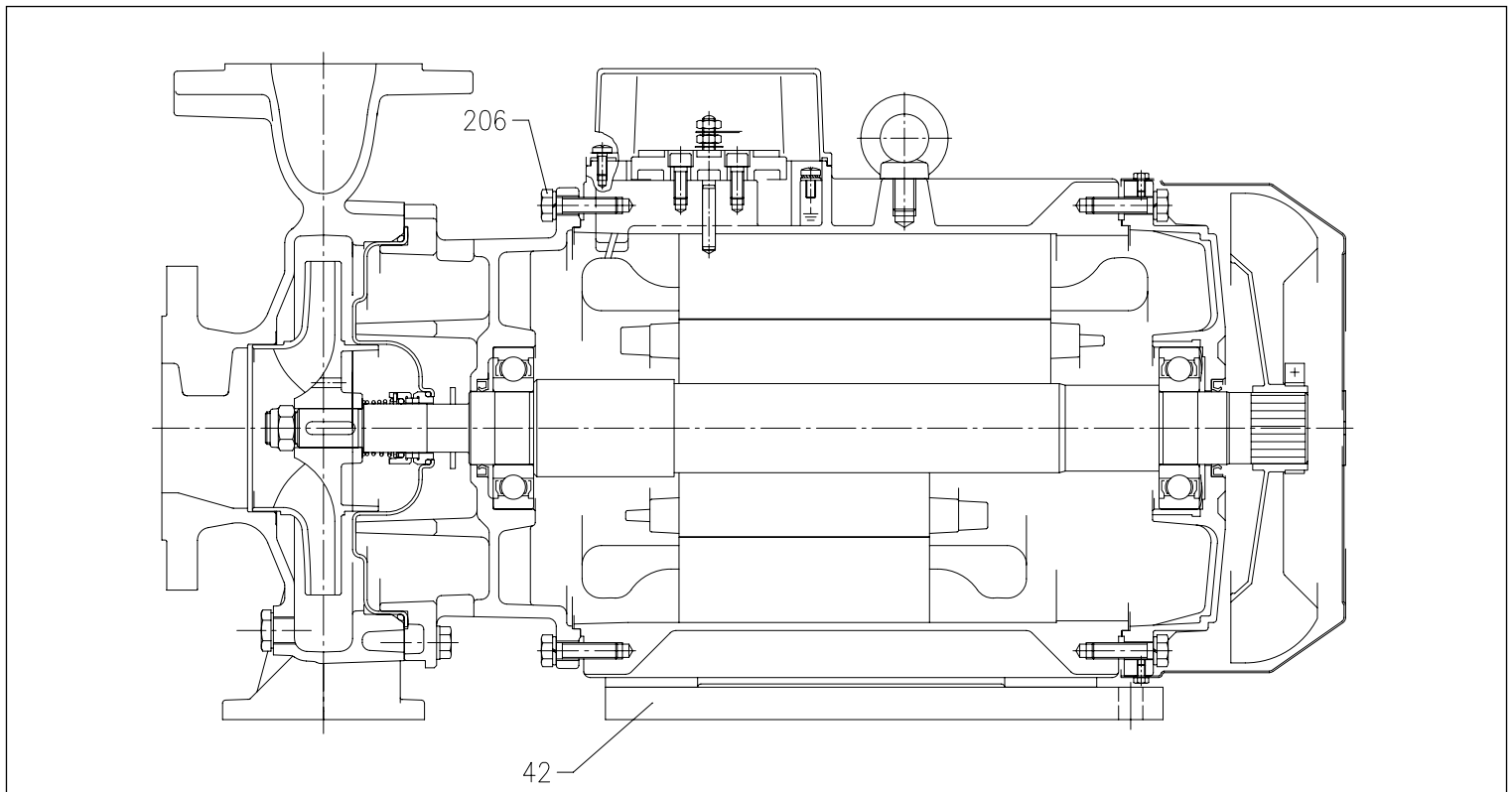
SECTIONAL VIEW 3D SERIES 32, 40, 50, 65 - up to 11 kW

2 Poles



SECTIONAL VIEW 3D SERIES 32, 40, 50, 65 - from 15 kW and above

2 Poles



The contents of this publication must not be regarded as binding. EBARA Pumps Europe S.p.A. reserves the right to effect any modification it deems necessary, without prior notice.



# 3D SERIES

## CENTRIFUGAL PUMPS CLOSE COUPLED AND STANDARDIZED EN 733

### MATERIALS TABLE

Ref.	Name	Material
001	Pump casing	Cast iron EN-GJL-250-EN 1561
003	Motor bracket	[1]
004	Seal housing disc	EN 1.4301 (AISI 304)
006	Rotor shaft (part in contact with the liquid)	EN 1.4301 (AISI 304)
007	Impeller	[2]
011	Mechanical seal	Ceramic/Carbon/NBR
012	Motor frame	-
013	Motor cover	Aluminium
014	Fan	PA
015	Fan cover	Fe P04 Galvanized
016	Terminal box	-
017	Terminal box cover	Aluminium (three phase only)
018	Spray protector washer	NBR
019	Bearing (pump side)	-
020	Bearing (motor side)	-
021	Adjusting ring	Steel C70
022	Tie-rod	Fe 42 Galvanized
	Screw	Galvanized steel 8.8 class ISO 898-1
024	Plug	Brass
025	Plug	Brass
026	O-Ring	NBR [3]
032	Key	EN 1.4401 (AISI 304)
034	Impeller nut	EN 1.4301 (AISI 304)
042	Motor support	Aluminium / Galvanized steel
056	Terminal box gasket	NBR
058	Cable gland	-
072	Casing ring [4]	EN 1.4301 (AISI 304)
075	Washer	Aluminium
076	Washer	Aluminium
092	Seal ring	-
093	Seal ring	-
101	Seeger ring [5]	Carbon steel TC 80
200	Screw	Galvanized steel 8.8 class ISO 898-1
235	Washer	Galvanized steel
206	Screw (support) [6]	Galvanized steel 8.8 class ISO 898-1

[1]= Cast iron EN-GJL-200-EN 1561 for 3D SERIES 32-200/3 and models from 15, 18.5 and 22 kW; aluminium AL-EN-1706-AC-46000-D for the rest of the range

[2]= EN 1.4301 (AISI 304) for 3D SERIES 32, 40, 50; EN 1.4401 (AISI 316) for 3D SERIES 65

[3]= FPM for H, HS, HW, HSW versions; EDPM for E version

[4]= Only for 3D SERIES 32-200, 40-200, 50-160, 50-200

[5]= Only for 9,2 and 11 kW models

[6]= Only for 11 kW models

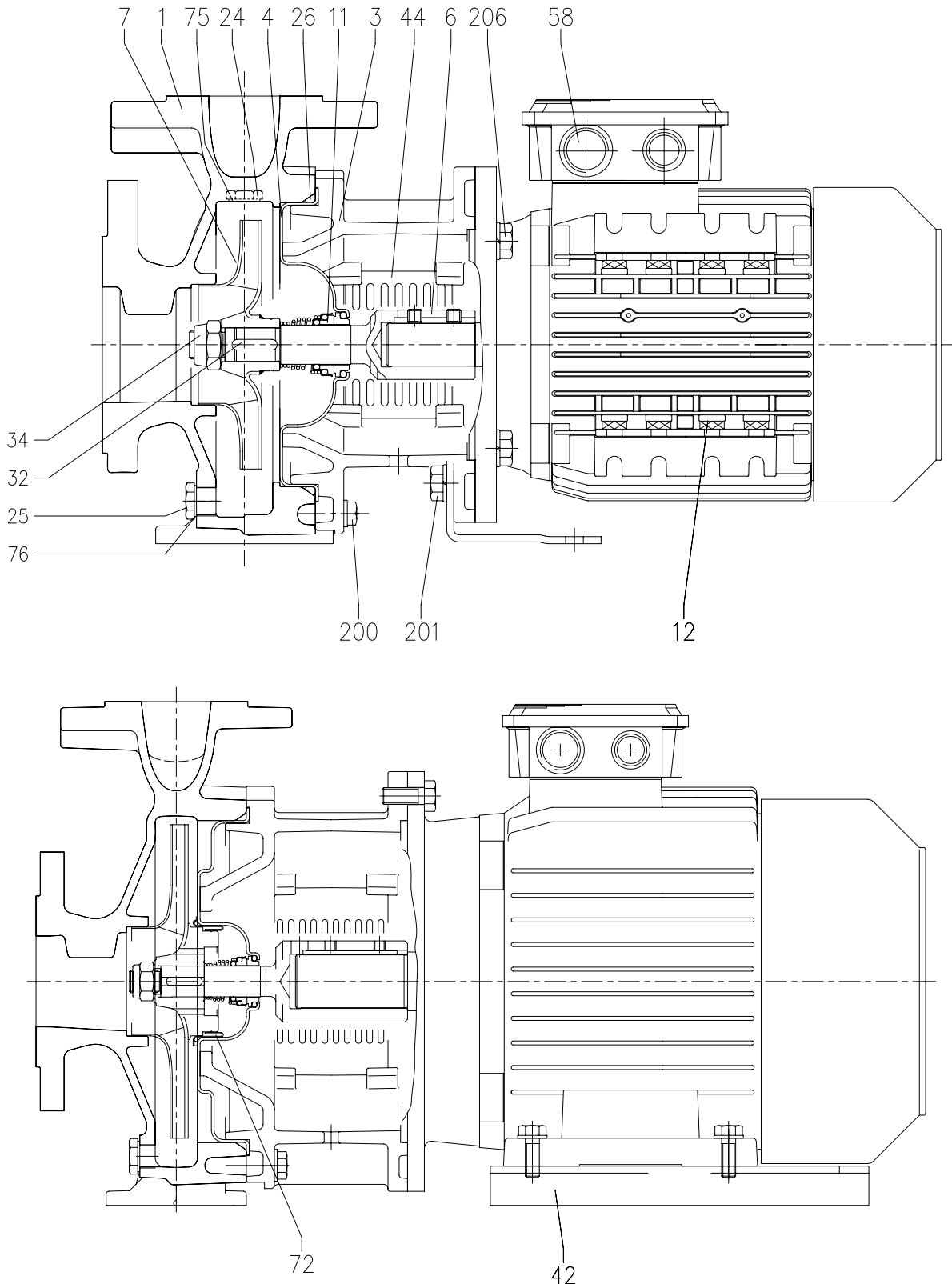


# 3D SERIES

CENTRIFUGAL PUMPS CLOSE COUPLED AND STANDARDIZED EN 733

SECTIONAL VIEW 3DS SERIES 32, 40, 50

2 Poles



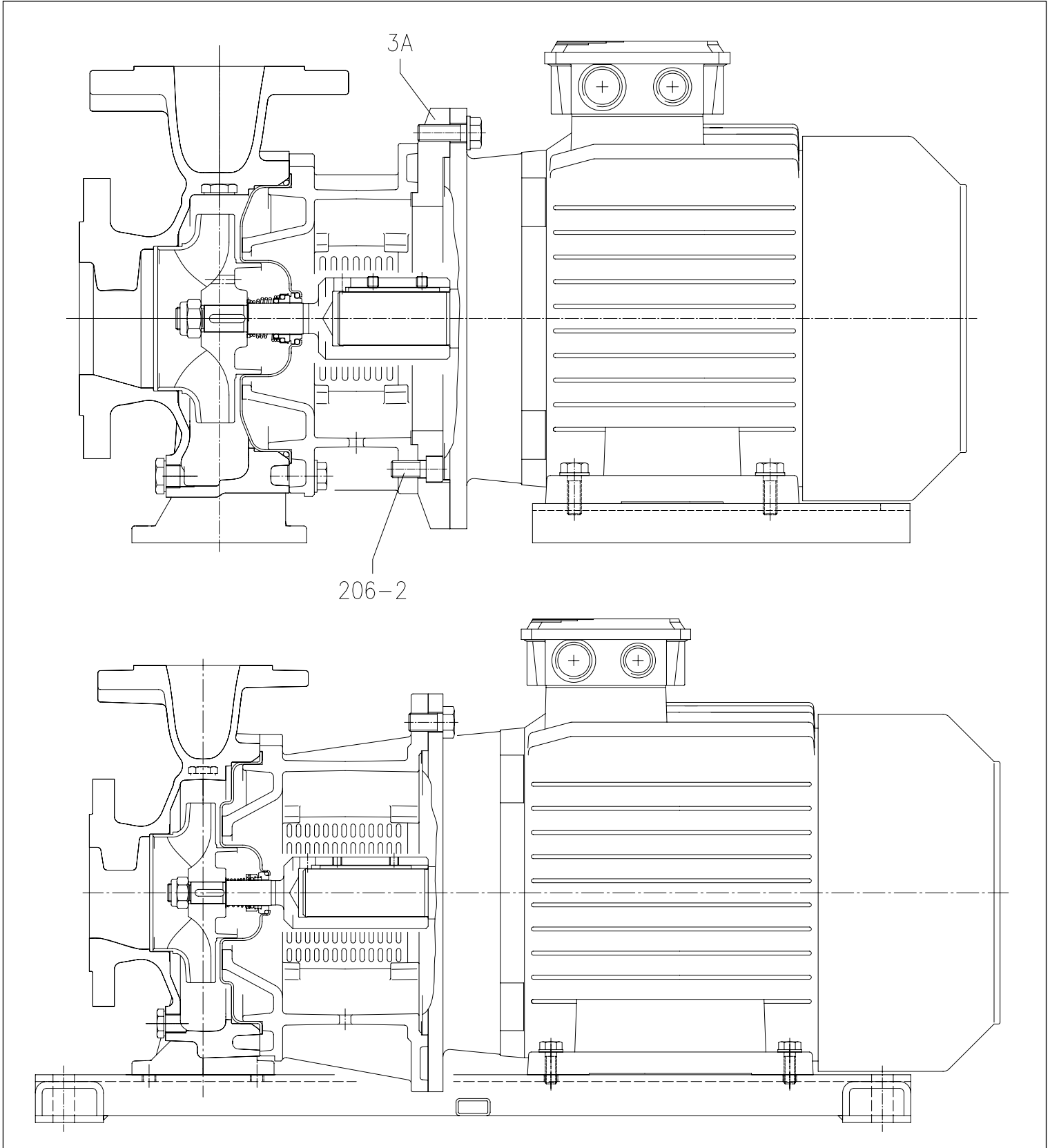
The contents of this publication must not be regarded as binding. EBARA Pumps Europe S.p.A. reserves the right to effect any modification it deems necessary, without prior notice.

# 3D SERIES

CENTRIFUGAL PUMPS CLOSE COUPLED AND STANDARDIZED EN 733

SECTIONAL VIEW 3DS SERIES 65

2 Poles



The contents of this publication must not be regarded as binding. EBARA Pumps Europe S.p.A. reserves the right to effect any modification it deems necessary without prior notice.



# 3D SERIES

## CENTRIFUGAL PUMPS CLOSE COUPLED AND STANDARDIZED EN 733

### MATERIALS TABLE

Ref.	Name	Material
001	Pump casing	Cast iron EN-GJL-250-EN 1561
003	Motor bracket	Cast iron EN-GJL-250-EN 1561
003A	Adapter ring [1]	Cast iron EN-GJL-250-EN 1561
004	Rotor shaft	EN 1.4301 (AISI 304)
006	Joint (part in contact with the liquid)	EN 1.4301 (AISI 304)
007	Impeller	[2]
011	Mechanical seal	Ceramic/Carbon/NBR
012	Motor	-
024	Plug	Brass
025	Plug	Brass
026	O-Ring	NBR [3]
032	Key	EN 1.4401 (AISI 304)
034	Impeller nut	EN 1.4301 (AISI 304)
042	Motor support	Galvanized steel
044	Support protection	EN 1.4301 (AISI 304)
058	Cable gland	-
072	Casing ring [4]	EN 1.4301 (AISI 304)
075	Washer	Aluminium
076	Washer	Aluminium
200	Screw	Galvanized steel 8.8 class ISO 898-1
201	Screw [5]	Galvanized steel 8.8 class ISO 898-1
206	Screw (support)	Galvanized steel 8.8 class ISO 898-1
206-2	Adapter ring screw	Galvanized steel 8.8 class ISO 898-1
235	Washer	Galvanized steel

[1]= Only for 3D SERIES 65-125/5.5 and 65-125/7.5 models

[2]= EN 1.4301 (AISI 304) for 3D SERIES 32, 40, 50; EN 1.4401 (AISI 316) for 3D SERIES 65

[3]= FPM for H, HS, HW, HSW versions; EPDM for E version

[4]= Only for 3D SERIES 32-200, 40-200, 50-160, 50-200

[5]= Only for 3D SERIES 32-125/1.1, 32-160/1.5, 32-160/2.2, 40-125/1.5, 40-125/2.2, 50-125/2.2

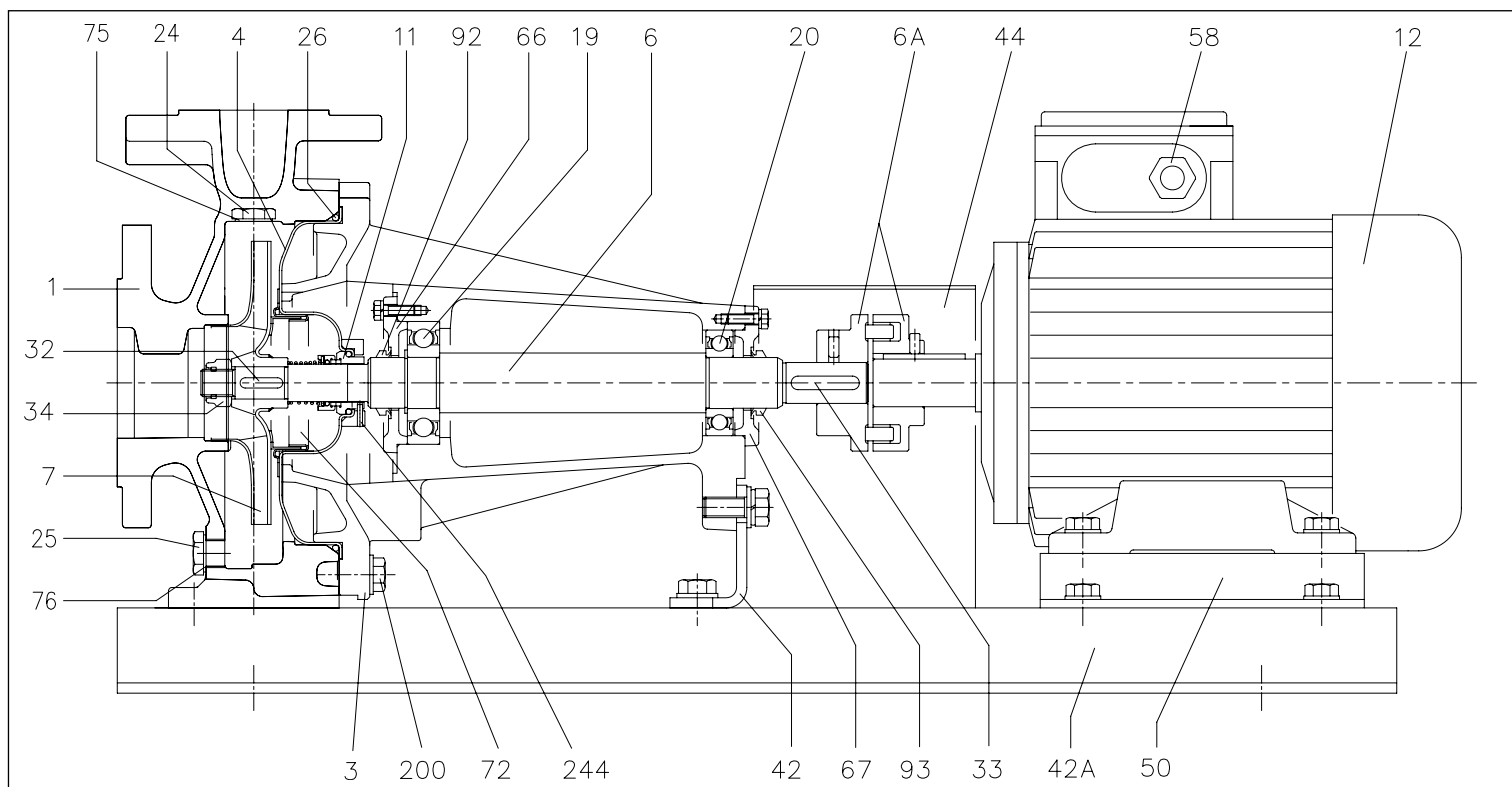
The contents of this publication must not be regarded as binding. EBARA Pumps Europe S.p.A. reserves the right to effect any modification it deems necessary, without prior notice.

# 3D SERIES

## CENTRIFUGAL PUMPS CLOSE COUPLED AND STANDARDIZED EN 733

### SECTIONAL VIEW 3DP SERIES 32, 40, 50, 65

2 Poles



### MATERIALS TABLE

Ref.	Name	Material
001	Pump casing	Cast iron EN-GJL-250-EN 1561
003	Motor bracket	Cast iron EN-GJL-250-EN 1561
004	Seal housing disc	EN 1.4301 (AISI 304)
006	Shaft (part in contact with the liquid)	EN 1.4301 (AISI 304)
006A	Flexible joint	Cast iron EN-GJL-250-EN 1561
007	Impeller	[1]
011	Mechanical seal	Ceramic/Carbon/NBR
012	Motor	-
019	Bearing	-
020	Bearing	-
024	Plug	Brass
025	Plug	Brass
026	O-Ring	NBR [2]
032	Key	EN 1.4401 (AISI 316)
033	Key	C 40
034	Impeller nut	EN 1.4301 (AISI 304)
042	Pump support	Fe 37 Galvanized
042A	Base	Fe 37 Galvanized
044	Support protection	Fe 37 Galvanized
050	Motor support	Aluminium / Galvanized steel
058	Cable gland	-
066	Bearing cover (impeller side)	Cast iron EN-GJL-250-EN 1561
067	Bearing cover (motor side)	Cast iron EN-GJL-250-EN 1561
072	Casing ring [3]	EN 1.4301 (AISI 304)
075	Washer	Aluminium
076	Washer	Aluminium
092	V ring	-
093	V ring	-
200	Screw	Galvanized steel 8.8 class ISO 898-1
235	Washer	Galvanized steel

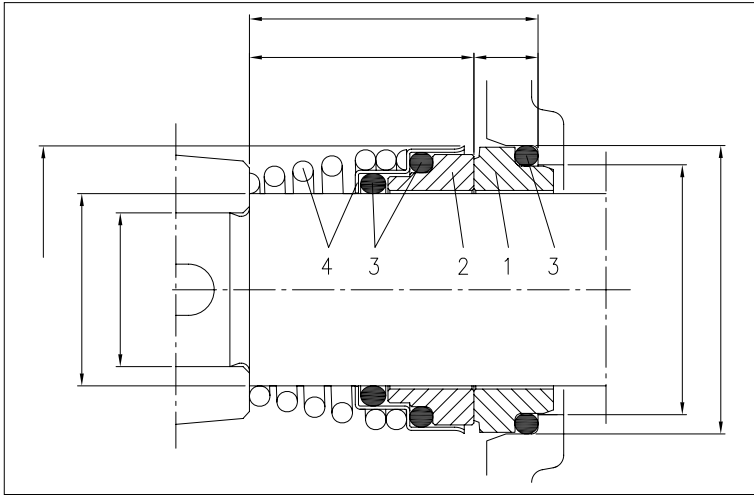
[1]= EN 1.4301 (AISI 304) for 3D SERIES 32, 40, 50; EN 1.4401 (AISI 316) for 3D SERIES 65

[2]= FPM for H, HS, HW, HSW versions; EPDM for E version

[3]= Only for 3D SERIES 32-200, 40-200, 50-160, 50-200



### MECHANICAL SEAL standard version



### MATERIALS TABLE

Ref.	Name	Material
1	Fixed part	Carbon
2	Rotating part	Ceramic
3	Gasket	NBR
4	Frame + spring	EN 1.4401 (AISI 316)

### SPECIAL MECHANICAL SEALS (on request)

Ref.	Name	H version	HS version	Material HW version	HSW version	E version
1	Fixed part	Carbon	SiC	Tungsten Carbide	Tungsten Carbide	Carbon
2	Rotating part	Ceramic	SiC	Tungsten Carbide	SiC	Ceramic
3	Gasket	FPM	FPM	FPM	FPM	EPDM
4	Frame + spring	EN 1.4401 (AISI 316)	EN 1.4571 (AISI 316Ti)	EN 1.4401 (AISI 316)	EN 1.4401 (AISI 316)	EN 1.4401 (AISI 316)

# 3D SERIES

## CENTRIFUGAL PUMPS CLOSE COUPLED AND STANDARDIZED EN 733

ELECTRIC DATA TABLE 3D SERIES

2 Poles

Single phase 230V	Model Three phase 230/400/690V	P <sub>2</sub>		Efficiency		Capacitor		Efficiency (%)			Absorbed current [A]			
		[HP]	[kW]	Single phase	Three phase	Single phase μF	V.	50%	Three phase η %		Single phase 230V	230V	400V	690V
									75%	100%				
3D 32-125/1.1 M	3D 32-125/1.1	1,5	1,1	-	IE2	31,5	450	79,5	82,0	82,5	6,7	5,6	3,2	-
3D 32-160/1.5 M	3D 32-160/1.5	2	1,5	-	IE2	40	450	79,5	82,0	82,5	9,6	5,6	3,2	-
3D 32-160/2.2 M	3D 32-160/2.2	3	2,2	-	IE2	50	450	83,1	85,7	86,2	13,3	7,8	4,5	-
-	3D 32-200/3.0	4	3	-	IE2	-	-	85,0	86,7	86,3	-	10,6	6,1	-
-	3D 32-200/4.0	5,5	4	-	IE2	-	-	84,3	87,2	87,8	-	15,1	8,7	-
-	3D 32-200/7.5	10	7,5	-	IE2	-	-	86,1	88,2	88,8	-	-	13,7	7,9
					IE3	-	-	89,0	90,7	90,8	-	-	13,6	7,9
3D 40-125/1.5 M	3D 40-125/1.5	2	1,5	-	IE2	40	450	79,5	82,0	82,5	9,6	5,6	3,2	-
3D 40-125/2.2 M	3D 40-125/2.2	3	2,2	-	IE2	50	450	83,1	85,7	86,2	13,3	7,8	4,5	-
-	3D 40-160/3.0	4	3	-	IE2	-	-	85,0	86,7	86,3	-	10,6	6,1	-
-	3D 40-160/4.0	5,5	4	-	IE2	-	-	84,3	87,2	87,8	-	15,1	8,7	-
-	3D 40-200/5.5	7,5	5,5	-	IE2	-	-	82,9	86,0	87,4	-	-	10,4	6,0
-	3D 40-200/7.5	10	7,5	-	IE2	-	-	86,1	88,2	88,8	-	-	13,7	7,9
					IE3	-	-	89,0	90,7	90,8	-	-	13,6	7,9
-	3D 40-200/11	15	11	-	IE2	-	-	88,9	90,3	90,2	-	-	21,9	12,7
					IE3	-	-	90,4	91,2	91,8	-	-	21,3	12,3
3D 50-125/2.2 M	3D 50-125/2.2	3	2,2	-	IE2	50	450	83,1	85,7	86,2	13,3	7,8	4,5	-
-	3D 50-125/3.0	4	3	-	IE2	-	-	85,0	86,7	86,3	-	10,6	6,1	-
-	3D 50-125/4.0	5,5	4	-	IE2	-	-	84,3	87,2	87,8	-	15,1	8,7	-
-	3D 50-160/5.5	7,5	5,5	-	IE2	-	-	82,9	86,0	87,4	-	-	10,4	6,0
-	3D 50-160/7.5	10	7,5	-	IE2	-	-	86,1	88,2	88,8	-	-	13,7	7,9
					IE3	-	-	89,0	90,7	90,8	-	-	13,6	7,9
-	3D 50-200/9.2	12,5	9,2	-	IE2	-	-	88,6	90,0	89,9	-	-	16,8	9,7
					IE3	-	-	90,1	90,8	90,9	-	-	17,2	10,0
-	3D 50-200/11	15	11	-	IE2	-	-	88,9	90,3	90,2	-	-	21,9	12,7
					IE3	-	-	90,4	91,2	91,8	-	-	21,3	12,3
-	3D 50-200/15	20	15	-	IE2	-	-	89,3	91,0	91,1	-	-	30,0	17,3
					IE3	-	-	91,2	92,0	91,9	-	-	27,7	17,3
-	3D 65-125/4.0	5,5	4	-	IE2	-	-	84,3	87,2	87,8	-	15,1	8,7	-
-	3D 65-125/5.5	7,5	5,5	-	IE2	-	-	82,9	86,0	87,4	-	-	10,4	6,0
-	3D 65-125/7.5	10	7,5	-	IE2	-	-	86,1	88,2	88,8	-	-	13,7	7,9
					IE3	-	-	89,0	90,7	90,8	-	-	13,6	7,9
-	3D 65-160/7.5	10	7,5	-	IE2	-	-	86,1	88,2	88,8	-	-	13,7	7,9
					IE3	-	-	89,0	90,7	90,8	-	-	13,6	7,9
-	3D 65-160/9.2	12,5	9,2	-	IE2	-	-	88,6	90,0	89,9	-	-	16,8	9,7
					IE3	-	-	90,1	90,8	90,9	-	-	17,2	10,0
-	3D 65-160/11	15	11	-	IE2	-	-	88,9	90,3	90,2	-	-	21,9	12,7
					IE3	-	-	90,4	91,2	91,8	-	-	21,3	12,3
-	3D 65-160/15	20	15	-	IE2	-	-	89,3	91,0	91,1	-	-	30,0	17,3
					IE3	-	-	91,2	92,0	91,9	-	-	27,7	17,3
-	3D 65-200/15	20	15	-	IE2	-	-	89,3	91,0	91,1	-	-	30,0	17,3
					IE3	-	-	91,2	92,0	91,9	-	-	27,7	17,3
-	3D 65-200/18.5	25	18,5	-	IE2	-	-	89,8	91,2	91,7	-	-	36,3	21,0
					IE3	-	-	91,6	93,0	92,6	-	-	35,0	20,3
-	3D 65-200/22	30	22	-	IE2	-	-	89,9	91,9	92,4	-	-	40,8	23,6
					IE3	-	-	92,0	93,1	93,2	-	-	39,7	23,6

The contents of this publication must not be regarded as binding. EBARA Pumps Europe S.p.A. reserves the right to effect any modification it deems necessary, without prior notice.

# 3D SERIES

## CENTRIFUGAL PUMPS CLOSE COUPLED AND STANDARDIZED EN 733

ELECTRIC DATA TABLE 3DS - 3DP SERIES

2 Poles

Model		P <sub>2</sub>		Efficiency	Efficiency (%) Three phase			Absorbed current [A]		
3DS Three phase 230/400/690V	3DP Three phase 230/400/690V	[HP]	[kW]		50%	η %		230V	Three phase	
						75%	100%		400V	690V
3DS 32-125/1.1	3DP 32-125/1.1	1,5	1,1	IE2	79.5	81.2	81.5	4.3	2.5	-
3DS 32-160/1.5	3DP 32-160/1.5	2	1,5	IE2	81.0	82.8	82.8	5.5	3.2	-
3DS 32-160/2.2	3DP 32-160/2.2	3	2,2	IE2	82.5	84.0	84.0	7.6	4.4	-
3DS 32-200/3.0	3DP 32-200/3.0	4	3	IE2	84.1	85.8	85.5	10.2	5.9	-
3DS 32-200/4.0	3DP 32-200/4.0	5,5	4	IE2	85.2	86.4	86.1	13.5	7.8	-
3DS 32-200/7.5	3DP 32-200/7.5	10	7,5	IE2	86.5	88.3	88.3	-	14.2	8.2
				IE3	89.4	91.0	91.1	-	13.5	7.8
3DS 40-125/1.5	3DP 40-125/1.5	2	1,5	IE2	81.0	82.8	82.8	5.5	3.2	-
3DS 40-125/2.2	3DP 40-125/2.2	3	2,2	IE2	82.5	84.0	84.0	7.6	4.4	-
3DS 40-160/3.0	3DP 40-160/3.0	4	3	IE2	84.1	85.8	85.5	10.2	5.9	-
3DS 40-160/4.0	3DP 40-160/4.0	5,5	4	IE2	85.2	86.4	86.1	13.5	7.8	-
3DS 40-200/5.5	3DP 40-200/5.5	7,5	5,5	IE2	85.8	87.4	87.3	-	10.4	6.0
3DS 40-200/7.5	3DP 40-200/7.5	10	7,5	IE2	86.5	88.3	88.3	-	14.2	8.2
				IE3	89.4	91.0	91.1	-	13.5	7.8
3DS 40-200/11	3DP 40-200/11	15	11	IE2	88.1	90.0	89.7	-	19.8	11.4
				IE3	88.7	90.5	91.2	-	19.5	11.2
3DS 50-125/2.2	3DP 50-125/2.2	3	2,2	IE2	82.5	84.0	84.0	7.6	4.4	-
3DS 50-125/3.0	3DP 50-125/3.0	4	3	IE2	84.1	85.8	85.5	10.2	5.9	-
3DS 50-125/4.0	3DP 50-125/4.0	5,5	4	IE2	85.2	86.4	86.1	13.5	7.8	-
3DS 50-160/5.5	3DP 50-160/5.5	7,5	5,5	IE2	85.8	87.4	87.3	-	10.4	6.0
3DS 50-160/7.5	3DP 50-160/7.5	10	7,5	IE2	86.5	88.3	88.3	-	14.2	8.2
				IE3	89.4	91.0	91.1	-	13.5	7.8
3DS 50-200/9.2	3DP 50-200/9.2	12,5	9,2	IE2	88.4	89.9	90.0	-	16.9	9.8
				IE3	89.4	91.0	91.2	-	17.0	9.8
3DS 50-200/11	3DP 50-200/11	15	11	IE2	88.1	90.0	89.7	-	19.8	11.4
				IE3	88.7	90.5	91.2	-	19.5	11.2
3DS 50-200/15	3DP 50-200/15	20	15	IE2	90.0	91.0	90.8	-	27.2	15.7
				IE3	89.5	91.4	92.0	-	26.7	15.4
3DS 65-125/4.0	3DP 65-125/4.0	5,5	4	IE2	85.2	86.4	86.1	13.5	7.8	-
3DS 65-125/5.5	3DP 65-125/5.5	7,5	5,5	IE2	85.8	87.4	87.3	-	10.4	6.0
3DS 65-125/7.5	3DP 65-125/7.5	10	7,5	IE2	86.5	88.3	88.3	-	14.2	8.2
				IE3	89.4	91.0	91.1	-	13.5	7.8
3DS 65-160/7.5	3DP 65-160/7.5	10	7,5	IE2	86.5	88.3	88.3	-	14.2	8.2
				IE3	89.4	91.0	91.1	-	13.5	7.8
3DS 65-160/9.2	3DP 65-160/9.2	12,5	9,2	IE2	88.4	89.9	90.0	-	16.9	9.8
				IE3	89.4	91.0	91.2	-	17.0	9.8
3DS 65-160/11	3DP 65-160/11	15	11	IE2	88.1	90.0	89.7	-	19.8	11.4
				IE3	88.7	90.5	91.2	-	19.5	11.2
3DS 65-160/15	3DP 65-160/15	20	15	IE2	90.0	91.0	90.8	-	27.2	15.7
				IE3	89.5	91.4	92.0	-	26.7	15.4
3DS 65-200/15	3DP 65-200/15	20	15	IE2	90.0	91.0	90.8	-	27.2	15.7
				IE3	89.5	91.4	92.0	-	26.7	15.4
3DS 65-200/18.5	3DP 65-200/18.5	25	18,5	IE2	90.3	91.6	91.2	-	33.3	19.2
				IE3	89.7	91.7	92.4	-	35.3	20.4
3DS 65-200/22	3DP 65-200/22	30	22	IE2	90.9	91.8	91.4	-	39.0	22.5
				IE3	92.5	93.1	92.9	-	38.0	22.0

The contents of this publication may not be regarded as binding. EBARA Pumps Europe S.p.A. reserves the right to effect any modification it deems necessary, without prior notice.

# 3D SERIES

## CENTRIFUGAL PUMPS CLOSE COUPLED AND STANDARDIZED EN 733

NOISE DATA TABLES 3D SERIES

2 Poles

Model	P <sub>2</sub>		L <sub>pa</sub> - dB(A)*
	[HP]	[kW]	
3D 32-125/1.1 (M)	1,5	1,1	<70
3D 32-160/1.5 (M)	2	1,5	
3D 32-160/2.2 (M)	3	2,2	
3D 32-200/3.0	4	3	71
3D 32-200/4.0	5,5	4	75
3D 32-200/7.5	10	7,5	
3D 40-125/1.5 (M)	2	1,5	<70
3D 40-125/2.2 (M)	3	2,2	
3D 40-160/3.0	4	3	71
3D 40-160/4.0	5,5	4	75
3D 40-200/5.5	7,5	5,5	
3D 40-200/7.5	10	7,5	80
3D 40-200/11	15	11	
3D 50-125/2.2 (M)	3	2,2	<70
3D 50-125/3.0	4	3	71
3D 50-125/4.0	5,5	4	
3D 50-160/5.5	7,5	5,5	75
3D 50-160/7.5	10	7,5	80
3D 50-200/9.2	12,5	9,2	
3D 50-200/11	15	11	71
3D 50-200/15	20	15	
3D 65-125/4.0	5,5	4	75
3D 65-125/5.5	7,5	5,5	
3D 65-125/7.5	10	7,5	80
3D 65-160/7.5	10	7,5	
3D 65-160/9.2	12,5	9,2	75
3D 65-160/11	15	11	
3D 65-160/15	20	15	83-82
3D 65-200/15	20	15	
3D 65-200/18.5	25	18,5	22
3D 65-200/22	30	22	

\* Mean value of several measures at 1m distance around the pump.  
Tolerance ± 2.5 dB.

NOISE DATA TABLES 3DS - 3DP SERIES

2 Poles

Model		P <sub>2</sub>		L <sub>pa</sub> - dB(A)*
3DS	3DP	[HP]	[kW]	
3DS 32-125/1.1	3DP 32-125/1.1	1,5	1,1	<70
3DS 32-160/1.5	3DP 32-160/1.5	2	1,5	
3DS 32-160/2.2	3DP 32-160/2.2	3	2,2	
3DS 32-200/3.0	3DP 32-200/3.0	4	3	73
3DS 32-200/4.0	3DP 32-200/4.0	5,5	4	77
3DS 32-200/7.5	3DP 32-200/7.5	10	7,5	
3DS 40-125/1.5	3DP 40-125/1.5	2	1,5	<70
3DS 40-125/2.2	3DP 40-125/2.2	3	2,2	
3DS 40-160/3.0	3DP 40-160/3.0	4	3	73
3DS 40-160/4.0	3DP 40-160/4.0	5,5	4	77
3DS 40-200/5.5	3DP 40-200/5.5	7,5	5,5	
3DS 40-200/7.5	3DP 40-200/7.5	10	7,5	79
3DS 40-200/11	3DP 40-200/11	15	11	
3DS 50-125/2.2	3DP 50-125/2.2	3	2,2	<70
3DS 50-125/3.0	3DP 50-125/3.0	4	3	73
3DS 50-125/4.0	3DP 50-125/4.0	5,5	4	
3DS 50-160/5.5	3DP 50-160/5.5	7,5	5,5	77
3DS 50-160/7.5	3DP 50-160/7.5	10	7,5	
3DS 50-200/9.2	3DP 50-200/9.2	12,5	9,2	79
3DS 50-200/11	3DP 50-200/11	15	11	
3DS 50-200/15	3DP 50-200/15	20	15	73
3DS 65-125/4.0	3DP 65-125/4.0	5,5	4	77
3DS 65-125/5.5	3DP 65-125/5.5	7,5	5,5	
3DS 65-125/7.5	3DP 65-125/7.5	10	7,5	79
3DS 65-160/7.5	3DP 65-160/7.5	10	7,5	
3DS 65-160/9.2	3DP 65-160/9.2	12,5	9,2	15
3DS 65-160/11	3DP 65-160/11	15	11	
3DS 65-160/15	3DP 65-160/15	20	15	25
3DS 65-200/15	3DP 65-200/15	20	15	
3DS 65-200/18.5	3DP 65-200/18.5	25	18,5	22
3DS 65-200/22	3DP 65-200/22	30	22	

\* Mean value of several measures at 1m distance around the pump.  
Tolerance ± 2.5 dB.

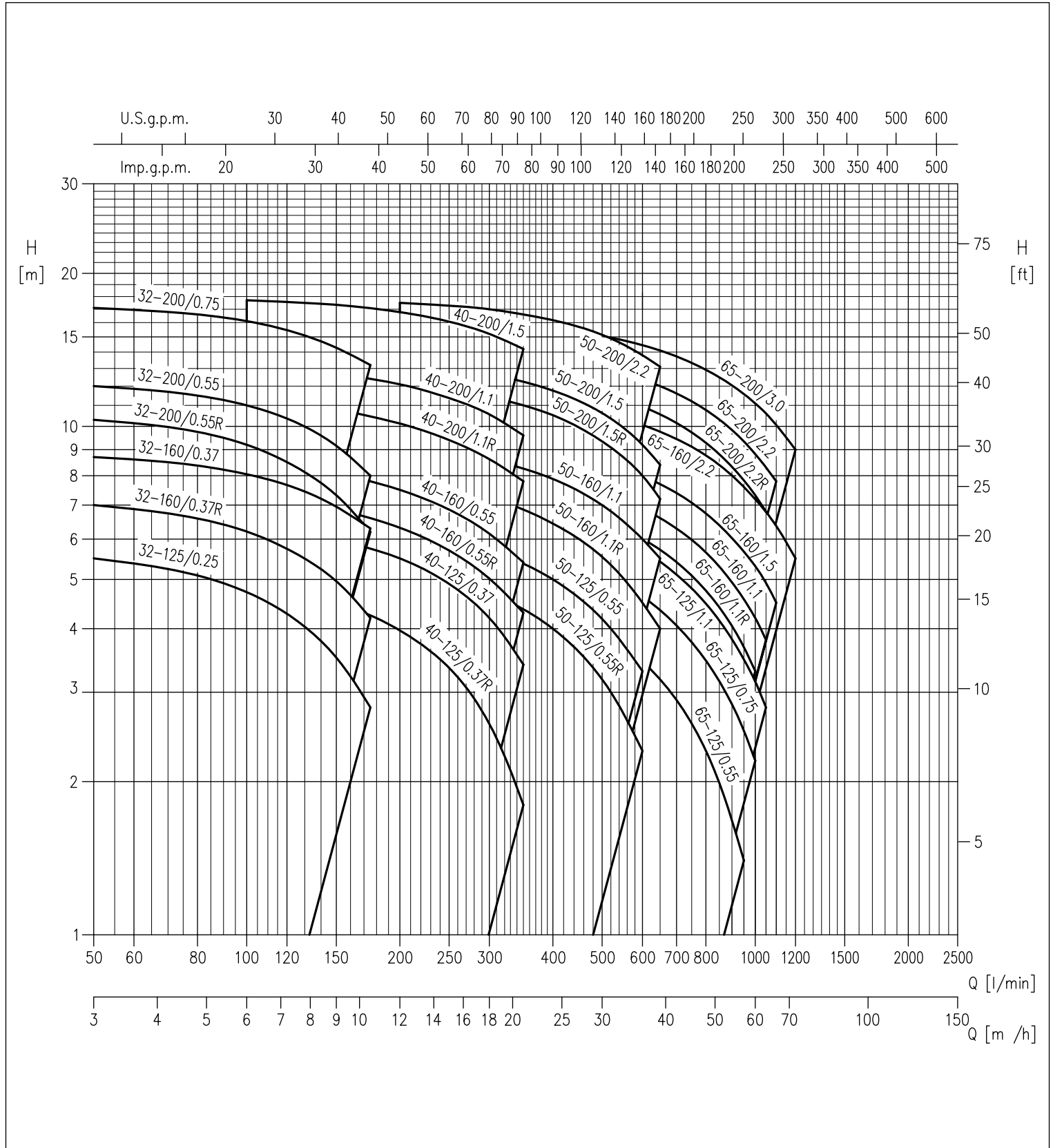


# 3D SERIES

## CENTRIFUGAL PUMPS CLOSE COUPLED AND STANDARDIZED EN 733

PERFORMANCE CHART at 1400 min<sup>-1</sup> (according to ISO 9906 Attachment A)

4 Poles



The contents of this publication must not be regarded as binding. EBARA Pumps Europe S.p.A. reserves the right to effect any modification it deems necessary, without prior notice.

# 3D SERIES

## CENTRIFUGAL PUMPS CLOSE COUPLED AND STANDARDIZED EN 733

PERFORMANCE TABLE 3D(.) SERIES4 32

4 Poles

Model	P <sub>2</sub>		Q=Flow rate				
	[HP]	[kW]	l/min m <sup>3</sup> /h	50 3	100 6	150 9	175 10,5
			H=Head [m]				
3D(.)4 32-125/0.25	0,33	0,25		5,5	4,7	3,5	2,8
3D(.)4 32-125/0.37R	0,5	0,37		7,0	6,2	5,0	4,2
3D(.)4 32-125/0.37	0,5	0,37		8,7	8,1	7,0	6,3
3D(.)4 32-125/0.55R	0,75	0,55		10,3	9,2	7,3	6,2
3D(.)4 32-125/0.55	0,75	0,55		12,0	11,0	9,2	8,0
3D(.)4 32-125/0.75	1	0,75		17,1	16,1	14,3	13,2

PERFORMANCE TABLE 3D(.) SERIES4 30

4 Poles

Model	P <sub>2</sub>		Q=Flow rate							
	[HP]	[kW]	l/min m <sup>3</sup> /h	100 6	150 9	175 10,5	200 12	250 15	300 18	350 21
			H=Head [m]							
3D(.)4 40-125/0.37R	0,5	0,37		4,8	4,5	4,3	4,0	3,4	2,6	1,8
3D(.)4 40-125/0.37	0,5	0,37		6,3	6,0	5,8	5,5	4,9	4,2	3,4
3D(.)4 40-125/0.55R	0,75	0,55		7,3	6,9	6,6	6,3	5,7	5,0	4,3
3D(.)4 40-125/0.55	0,75	0,55		8,6	8,1	7,8	7,5	6,9	6,2	5,4
3D(.)4 40-125/1.1R	1,5	1,1		11,2	10,8	10,5	10,1	9,4	8,6	7,8
3D(.)4 40-125/1.1	1,5	1,1		13,2	12,7	12,4	12,1	11,4	10,6	9,6
3D(.)4 40-125/1.5	2	1,5		17,7	17,3	17,1	16,8	16,1	15,2	14,2

PERFORMANCE TABLE 3D(.) SERIES4 50

4 Poles

Model	P <sub>2</sub>		Q=Flow rate								
	[HP]	[kW]	l/min m <sup>3</sup> /h	200 12	250 15	300 18	350 21	400 24	500 30	600 36	650 39
			H=Head [m]								
3D(.)4 50-125/0.55R	0,75	0,55		5,2	5,0	4,7	4,4	4,0	3,2	2,3	-
3D(.)4 50-125/0.55	0,75	0,55		6,2	6,0	5,7	5,4	5,0	4,2	3,3	-
3D(.)4 50-160/1.1R	1,5	1,1		7,8	7,6	7,2	6,9	6,4	5,5	4,5	4,0
3D(.)4 50-160/1.1	1,5	1,1		9,1	8,9	8,6	8,3	7,9	7,0	6,0	5,5
3D(.)4 50-200/1.5R	2	1,5		12,1	11,8	11,4	11,0	10,5	9,3	8,0	7,2
3D(.)4 50-200/0.1.5	2	1,5		13,3	13,0	12,7	12,2	11,8	10,6	9,2	8,4
3D(.)4 50-200/2.2	3	2,2		17,5	17,3	17,0	16,6	16,2	15,1	13,8	13,1

PERFORMANCE TABLE 3D(.) SERIES4 65

4 Poles

Model	P <sub>2</sub>		Q=Flow rate										
	[HP]	[kW]	l/min m <sup>3</sup> /h	300 18	350 21	500 30	600 36	800 48	950 57	1000 60	1050 63	1100 66	1200 72
			H=Head [m]										
3D(.)4 65-125/0.55	0,75	0,55		4,8	4,6	4,0	3,5	2,3	1,4	-	-	-	-
3D(.)4 65-125/0.75	1	0,75		6,0	5,8	5,2	4,6	3,5	2,5	2,2	-	-	-
3D(.)4 65-125/1.1	1,50	1,10		7,2	7,0	6,3	5,7	4,5	3,5	3,2	2,8	-	-
3D(.)4 65-160/1.1	1,50	1,10		-	8,1	7,4	6,9	5,7	4,6	4,2	3,8	-	-
3D(.)4 65-160/1.5	2	1,50		-	9,2	8,5	8,0	6,7	5,7	5,3	4,9	4,5	-
3D(.)4 65-160/2.2	3	2,20		-	11,3	10,6	10,1	8,8	7,6	7,2	6,8	6,4	5,5
3D(.)4 65-200/2.2R	3	2,20		-	12,4	11,6	10,9	9,3	7,8	7,3	6,8	-	-
3D(.)4 65-200/2.2	3	2,20		-	13,9	13,0	12,4	10,8	9,3	8,8	8,3	7,8	-
3D(.)4 65-200/3	4	3		-	15,8	15,1	14,4	12,9	11,6	11,1	10,6	10,1	9

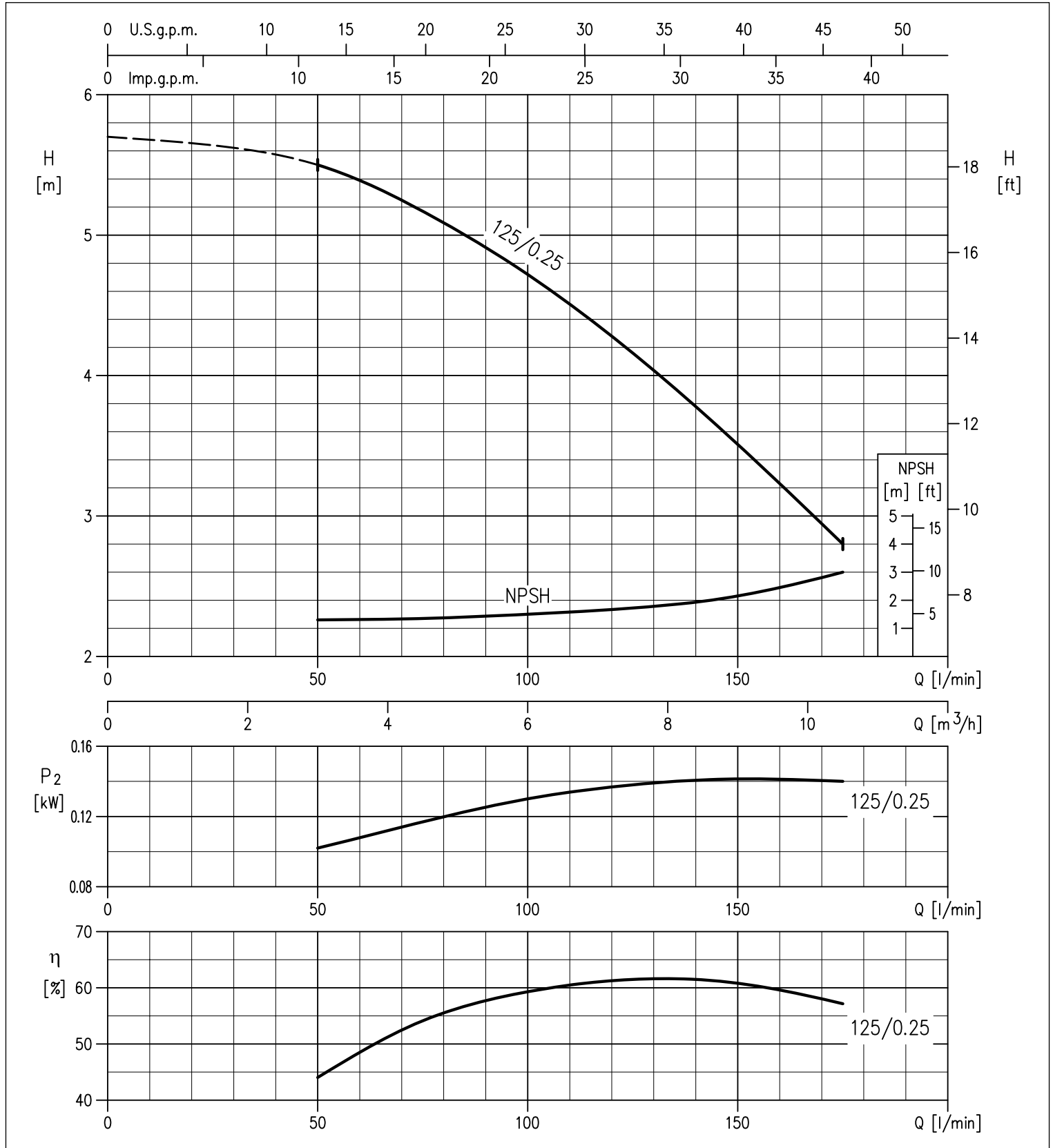


# 3D SERIES

## CENTRIFUGAL PUMPS CLOSE COUPLED AND STANDARDIZED EN 733

PERFORMANCE CURVES 3D(.) SERIES4 32-125 at 1400 min<sup>-1</sup> (according to ISO 9906 Attachment A)

4 Poles



The contents of this publication must not be regarded as binding. EBARA Pumps Europe S.p.A. reserves the right to effect any modification it deems necessary, without prior notice.

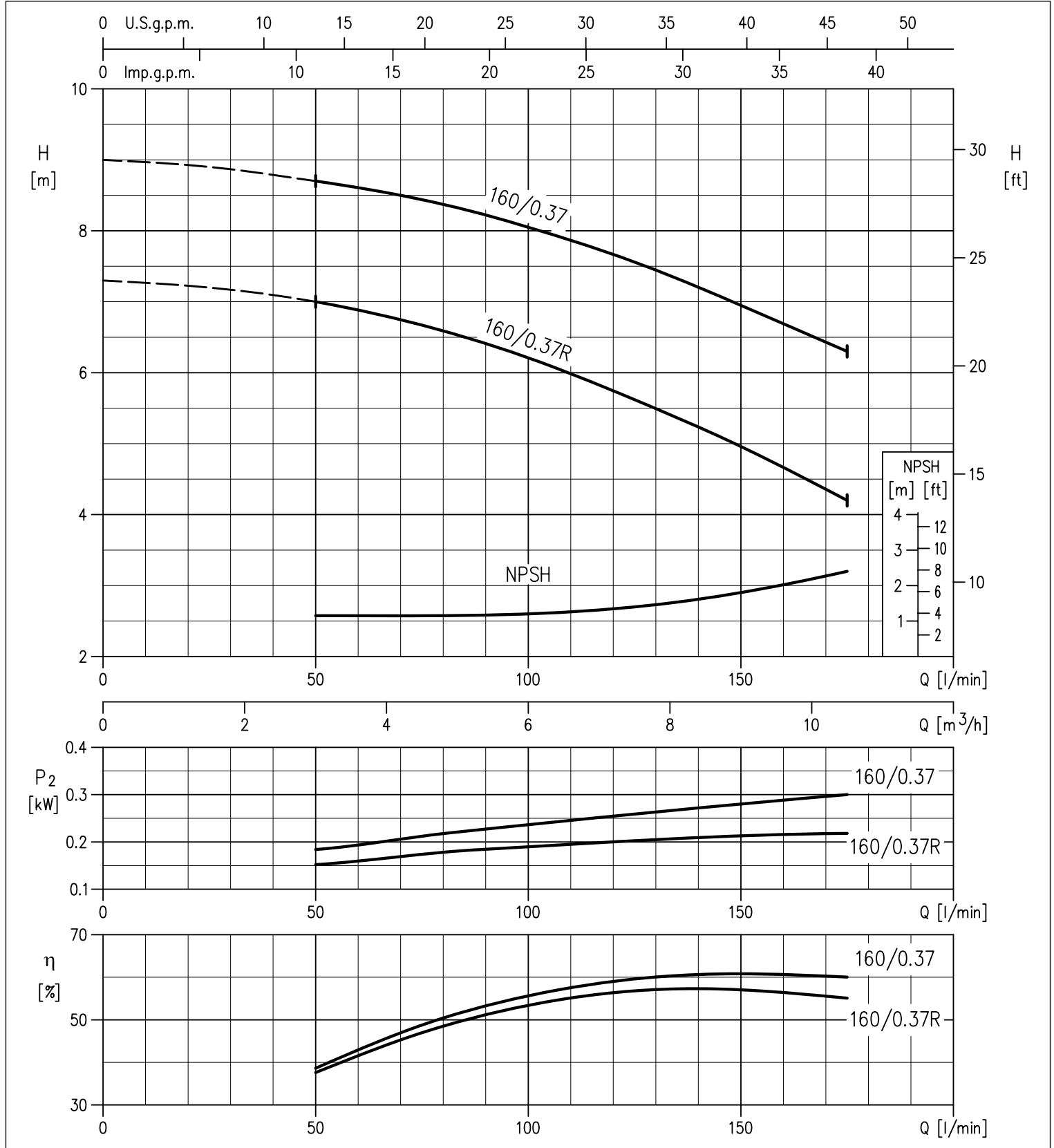


# 3D SERIES

## CENTRIFUGAL PUMPS CLOSE COUPLED AND STANDARDIZED EN 733

PERFORMANCE CURVES 3D(.) SERIES4 32-160 at 1400 min<sup>-1</sup> (according to ISO 9906 Attachment A)

4 Poles



The contents of this publication must not be regarded as binding. EBARA Pumps Europe S.p.A. reserves the right to effect any modification it deems necessary without prior notice.



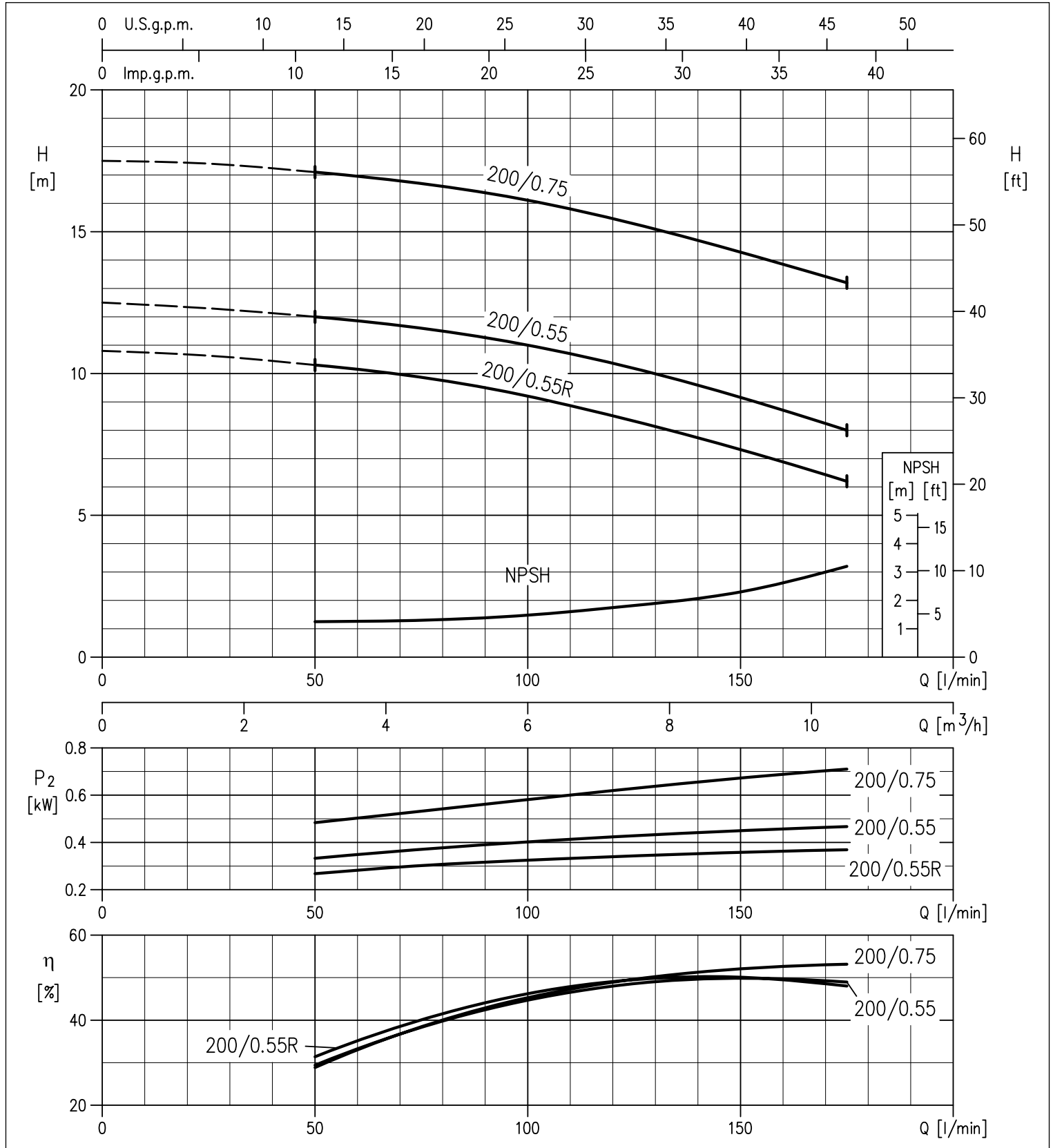


# 3D SERIES

## CENTRIFUGAL PUMPS CLOSE COUPLED AND STANDARDIZED EN 733

PERFORMANCE CURVES 3D(.) SERIES4 32-200 at 1400 min<sup>-1</sup> (according to ISO 9906 Attachment A)

4 Poles



The contents of this publication must not be regarded as binding. EBARA Pumps Europe S.p.A. reserves the right to effect any modification it deems necessary, without prior notice.

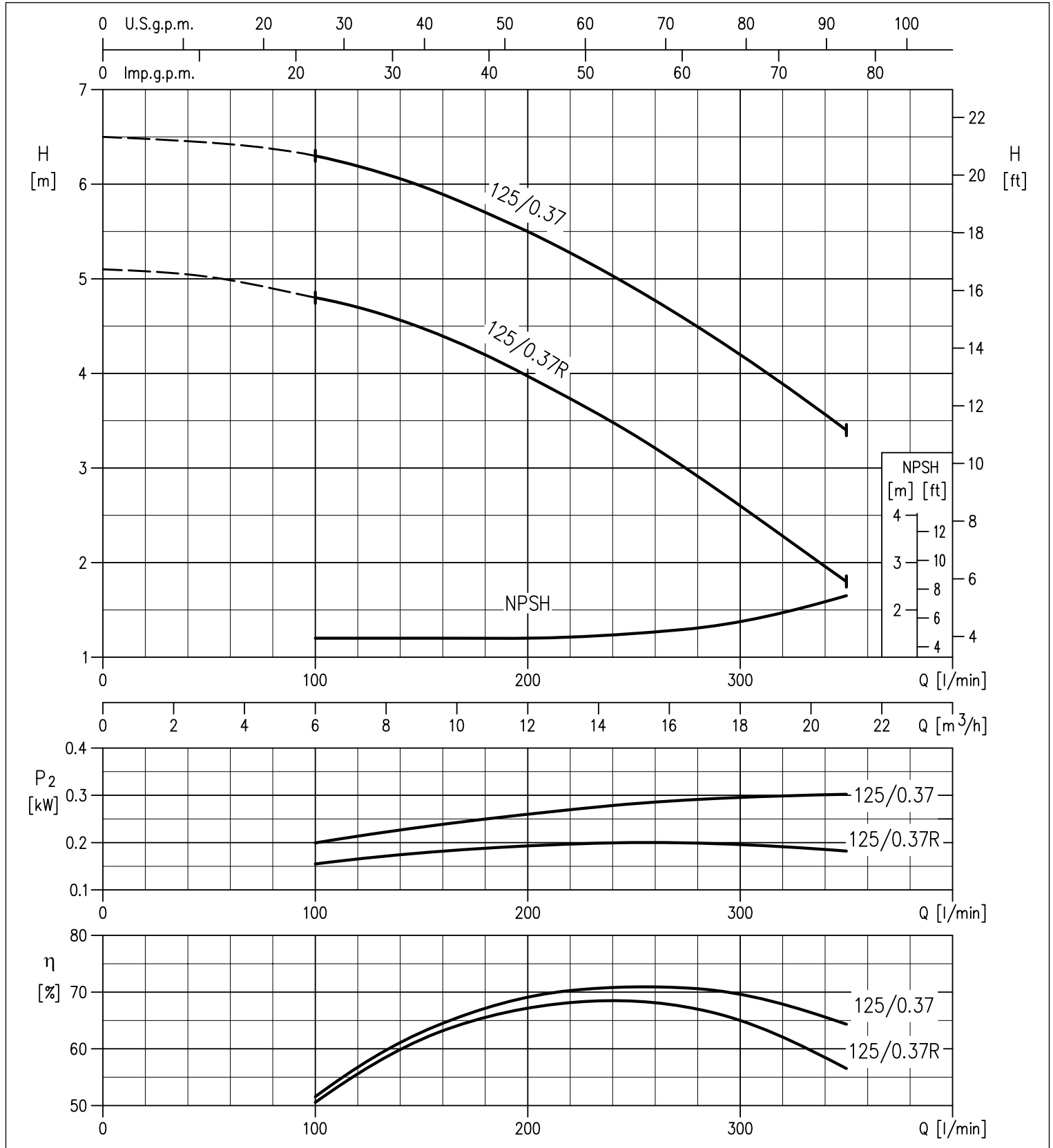


# 3D SERIES

## CENTRIFUGAL PUMPS CLOSE COUPLED AND STANDARDIZED EN 733

PERFORMANCE CURVES 3D(.) SERIES4 40-125 at 1400 min<sup>-1</sup> (according to ISO 9906 Attachment A)

4 Poles



The contents of this publication must not be regarded as binding. EBARA Pumps Europe S.p.A. reserves the right to effect any modification it deems necessary without prior notice.

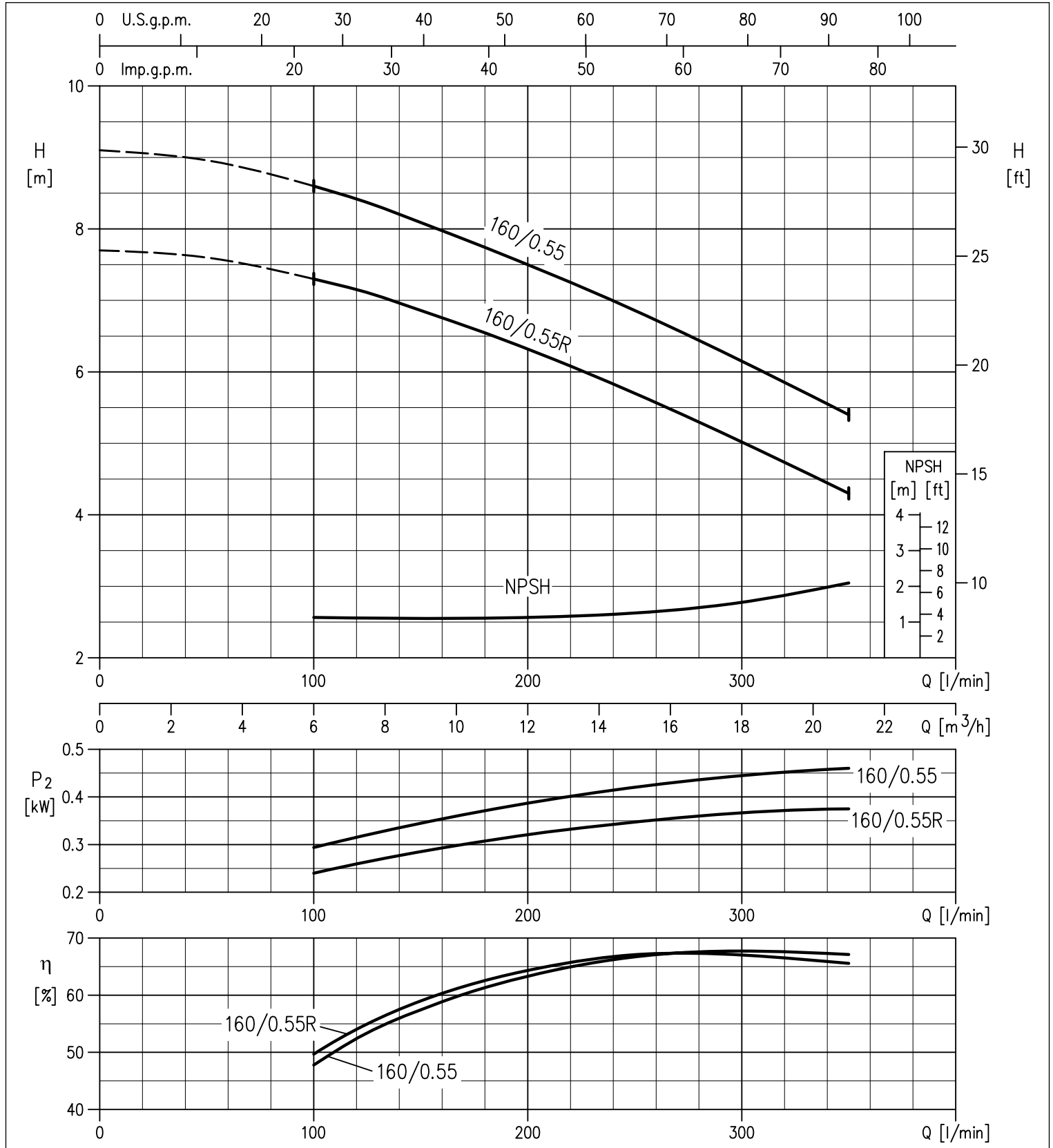


# 3D SERIES

## CENTRIFUGAL PUMPS CLOSE COUPLED AND STANDARDIZED EN 733

PERFORMANCE CURVES 3D(.) SERIES4 40-160 at 1400 min<sup>-1</sup> (according to ISO 9906 Attachment A)

4 Poles



The contents of this publication must not be regarded as binding. EBARA Pumps Europe S.p.A. reserves the right to effect any modification it deems necessary, without prior notice.

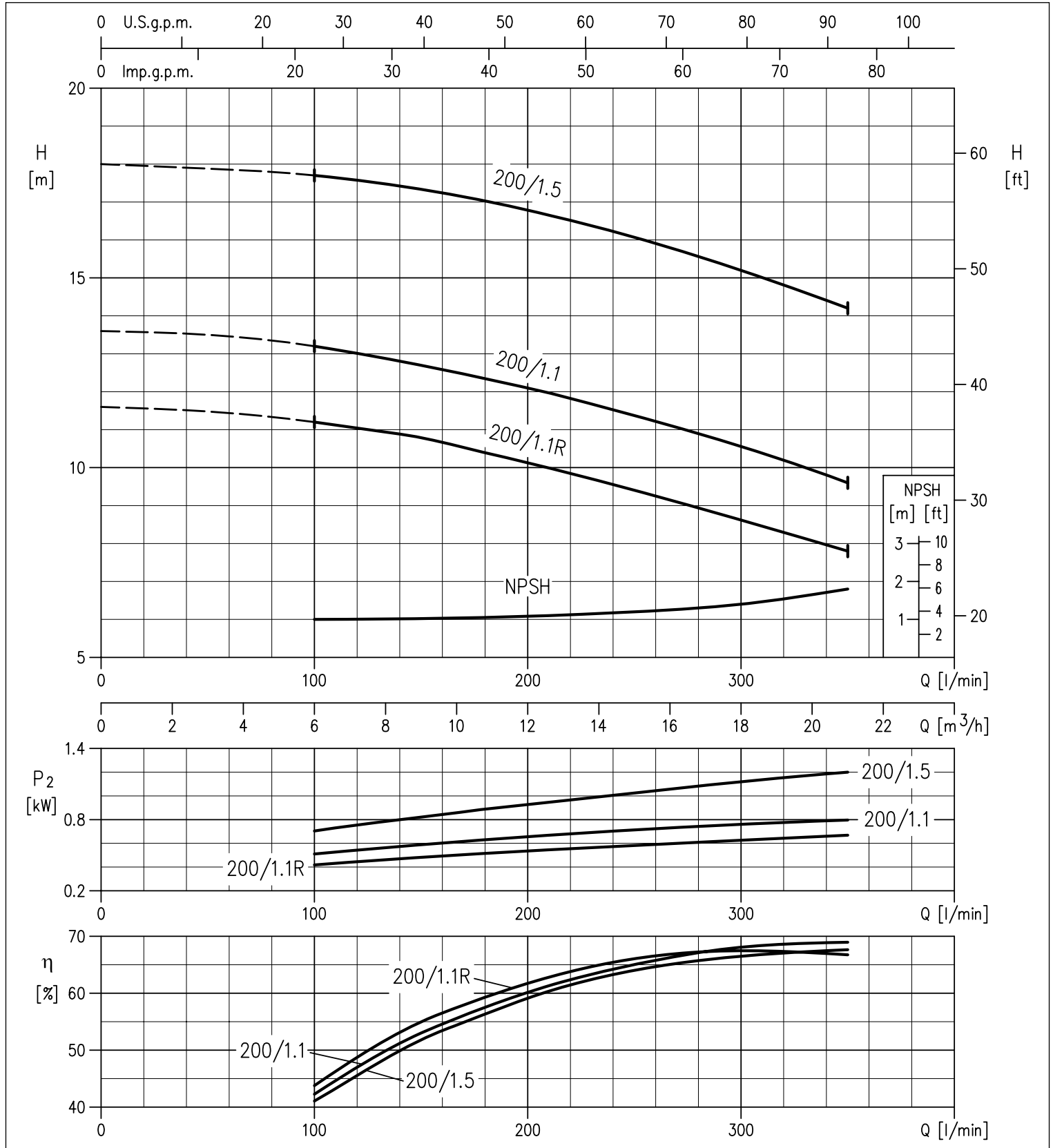


# 3D SERIES

## CENTRIFUGAL PUMPS CLOSE COUPLED AND STANDARDIZED EN 733

PERFORMANCE CURVES 3D(.) SERIES4 40-200 at 1400 min<sup>-1</sup> (according to ISO 9906 Attachment A)

4 Poles



The contents of this publication must not be regarded as binding. EBARA Pumps Europe S.p.A. reserves the right to effect any modification it deems necessary without prior notice.

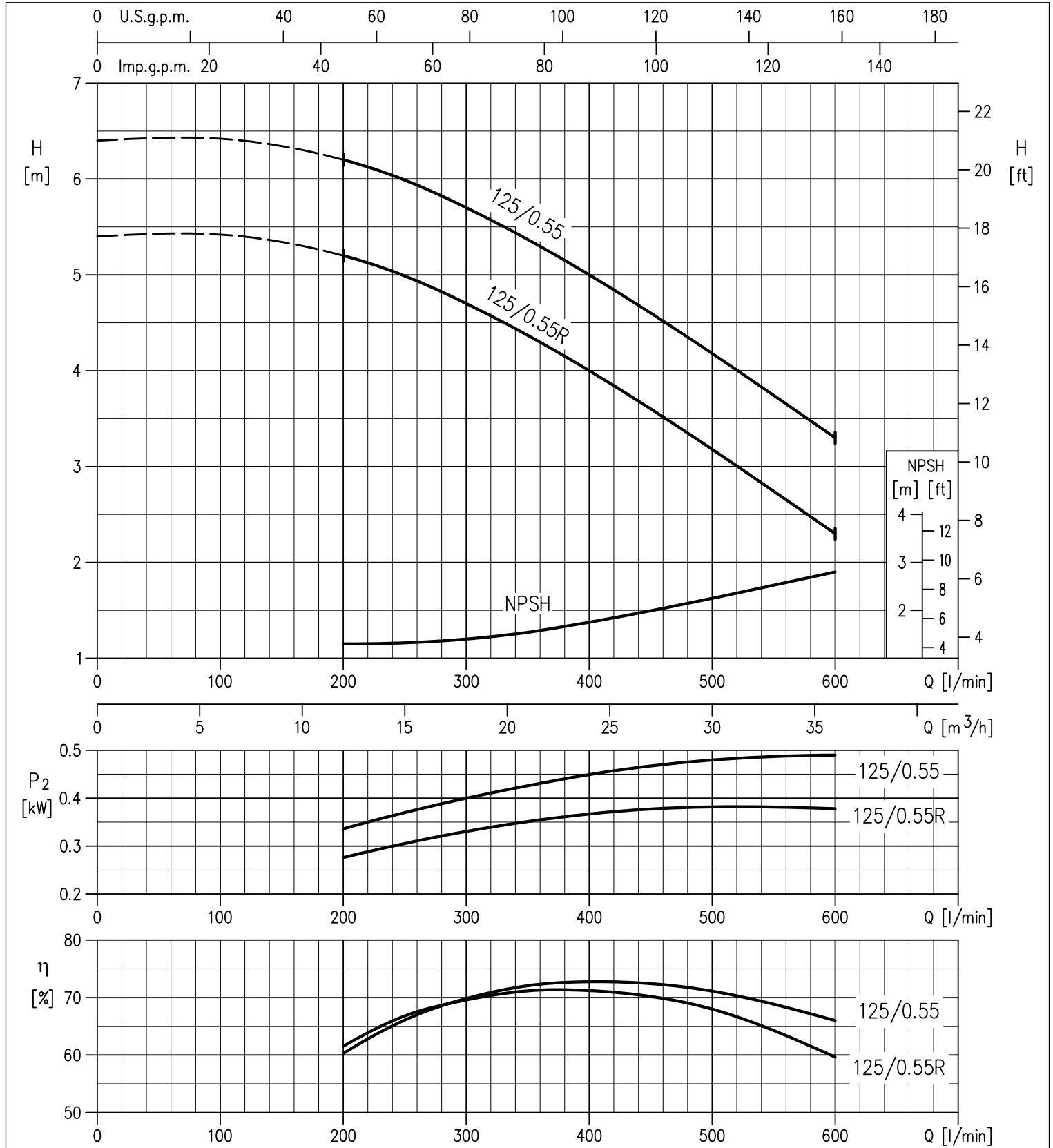


# 3D SERIES

## CENTRIFUGAL PUMPS CLOSE COUPLED AND STANDARDIZED EN 733

PERFORMANCE CURVES 3D(.) SERIES4 50-125 at 1400 min<sup>-1</sup> (according to ISO 9906 Attachment A)

4 Poles



The contents of this publication must not be regarded as binding. EBARA Pumps Europe S.p.A. reserves the right to effect any modification it deems necessary, without prior notice.

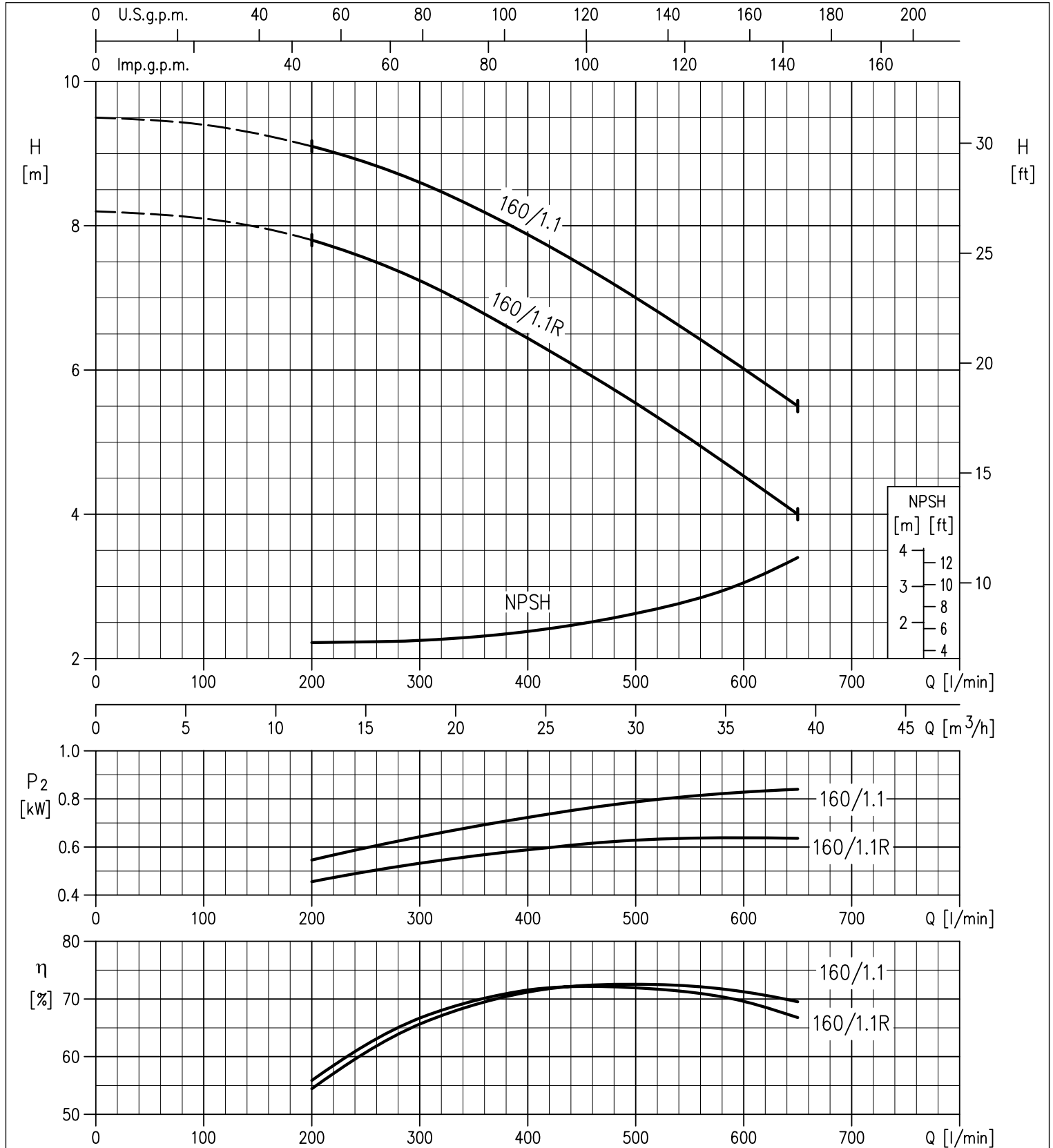


# 3D SERIES

## CENTRIFUGAL PUMPS CLOSE COUPLED AND STANDARDIZED EN 733

PERFORMANCE CURVES 3D(.) SERIES4 50-160 at 1400 min<sup>-1</sup> (according to ISO 9906 Attachment A)

4 Poles



The contents of this publication must not be regarded as binding. EBARA Pumps Europe S.p.A. reserves the right to effect any modification it deems necessary without prior notice.

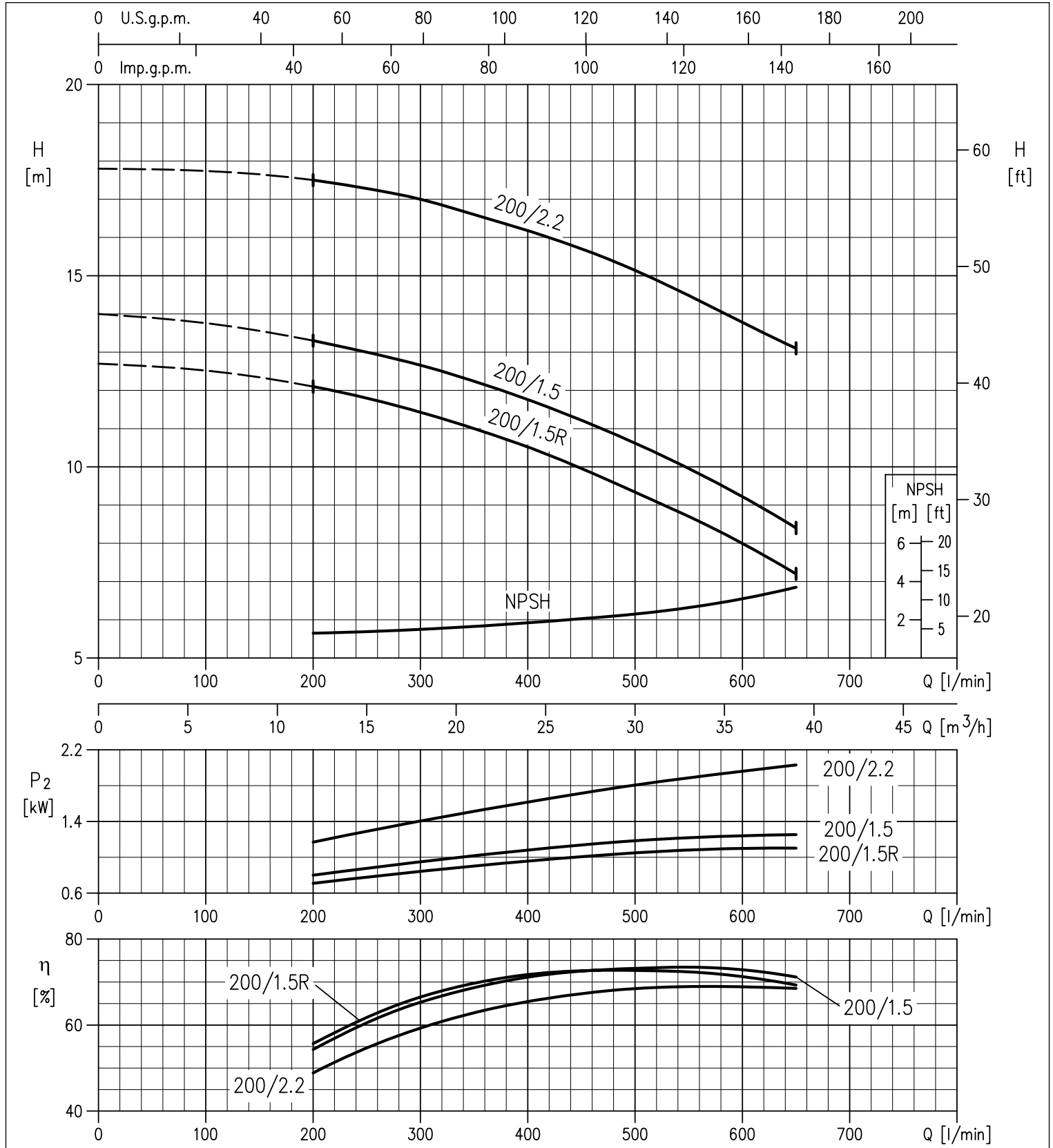


# 3D SERIES

## CENTRIFUGAL PUMPS CLOSE COUPLED AND STANDARDIZED EN 733

PERFORMANCE CURVES 3D(.) SERIES4 50-200 at 1400 min<sup>-1</sup> (according to ISO 9906 Attachment A)

4 Poles



The contents of this publication must not be regarded as binding. EBARA Pumps Europe S.p.A. reserves the right to effect any modification it deems necessary, without prior notice.

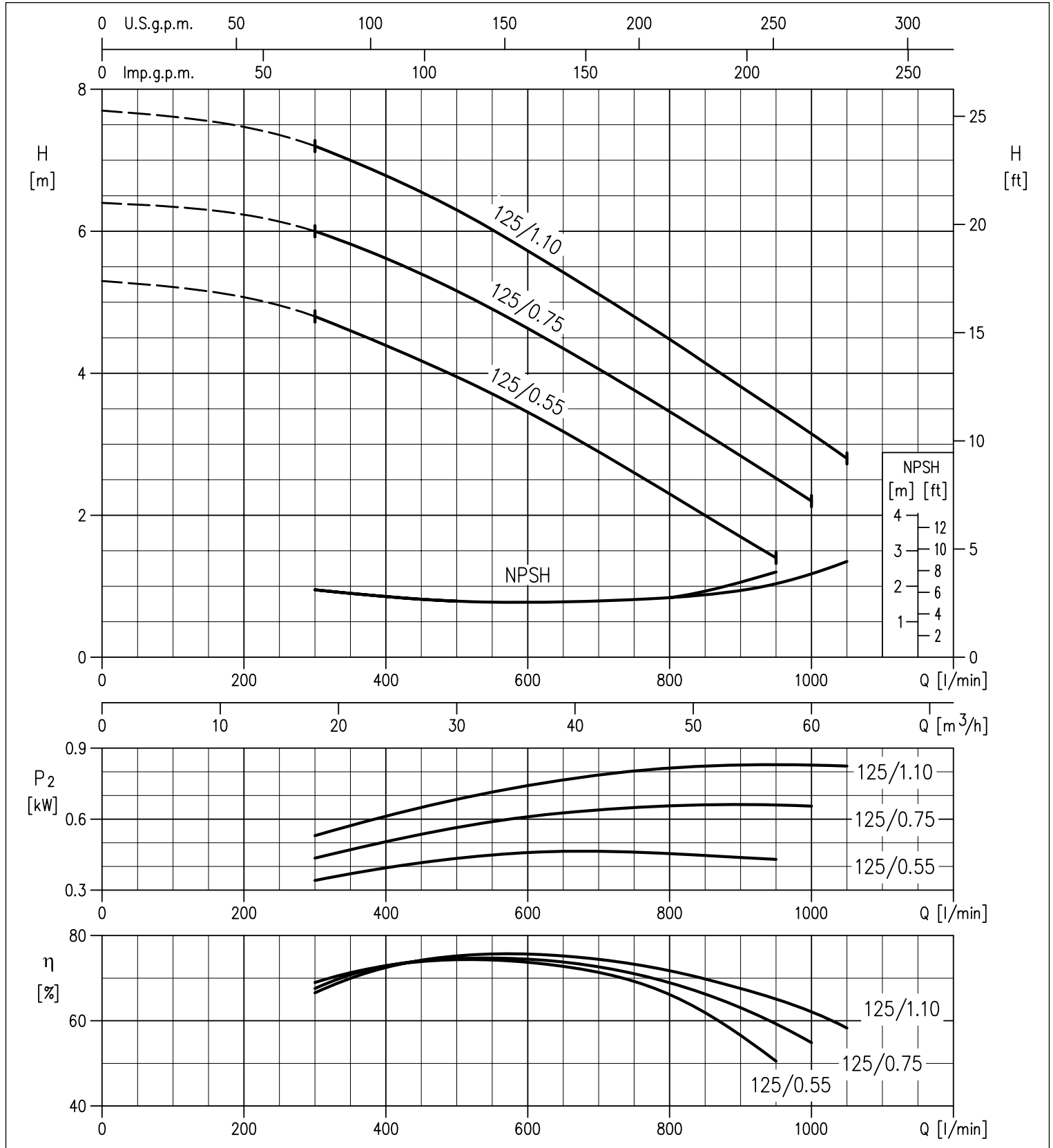


# 3D SERIES

## CENTRIFUGAL PUMPS CLOSE COUPLED AND STANDARDIZED EN 733

PERFORMANCE CURVES 3D(.) SERIES4 65-125 at 1400 min<sup>-1</sup> (according to ISO 9906 Attachment A)

4 Poles



The contents of this publication must not be regarded as binding. EBARA Pumps Europe S.p.A. reserves the right to effect any modification it deems necessary without prior notice.



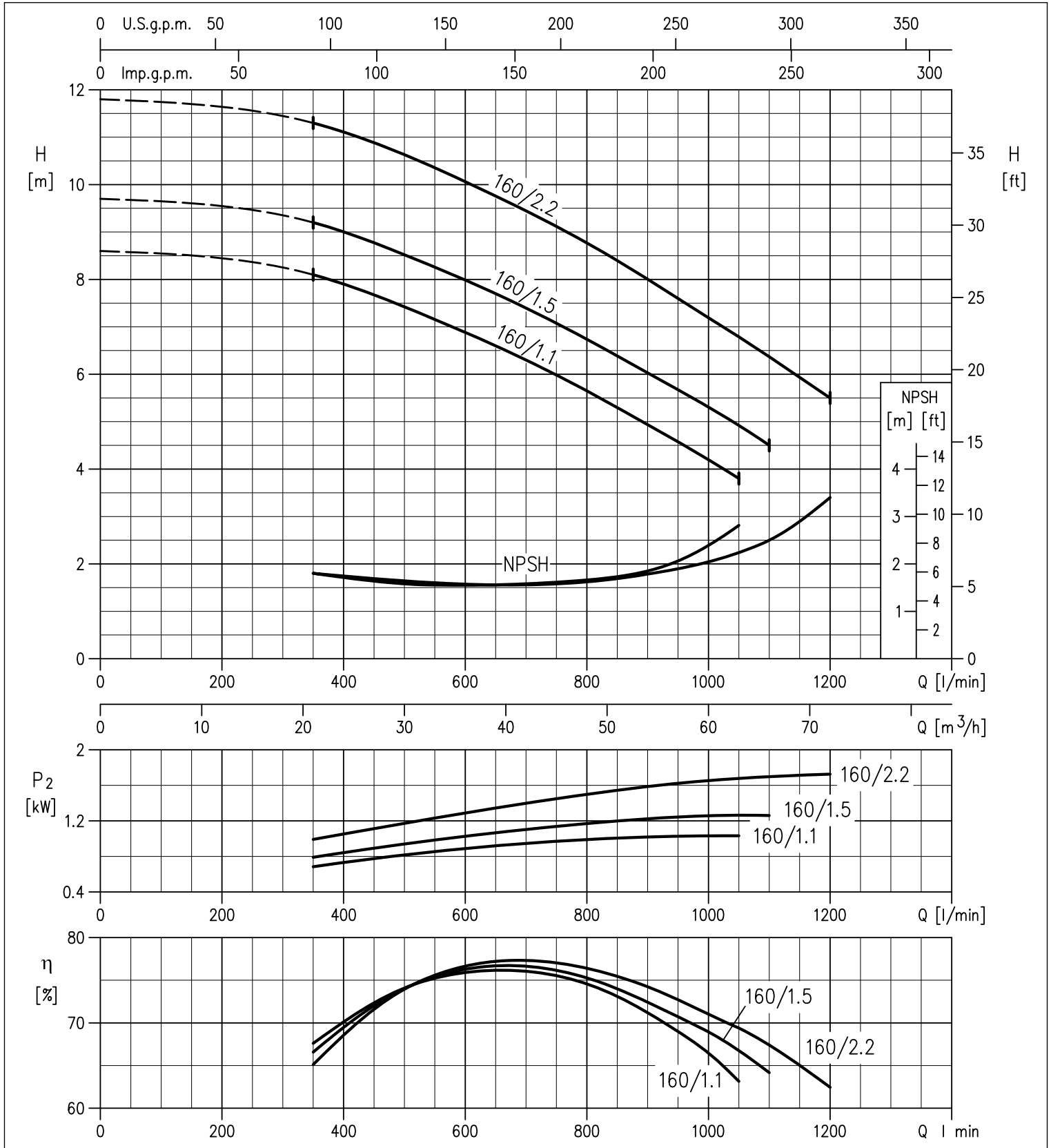


# 3D SERIES

## CENTRIFUGAL PUMPS CLOSE COUPLED AND STANDARDIZED EN 733

PERFORMANCE CURVES 3D(.) SERIES4 65-160 at 1400 min<sup>-1</sup> (according to ISO 9906 Attachment A)

4 Poles



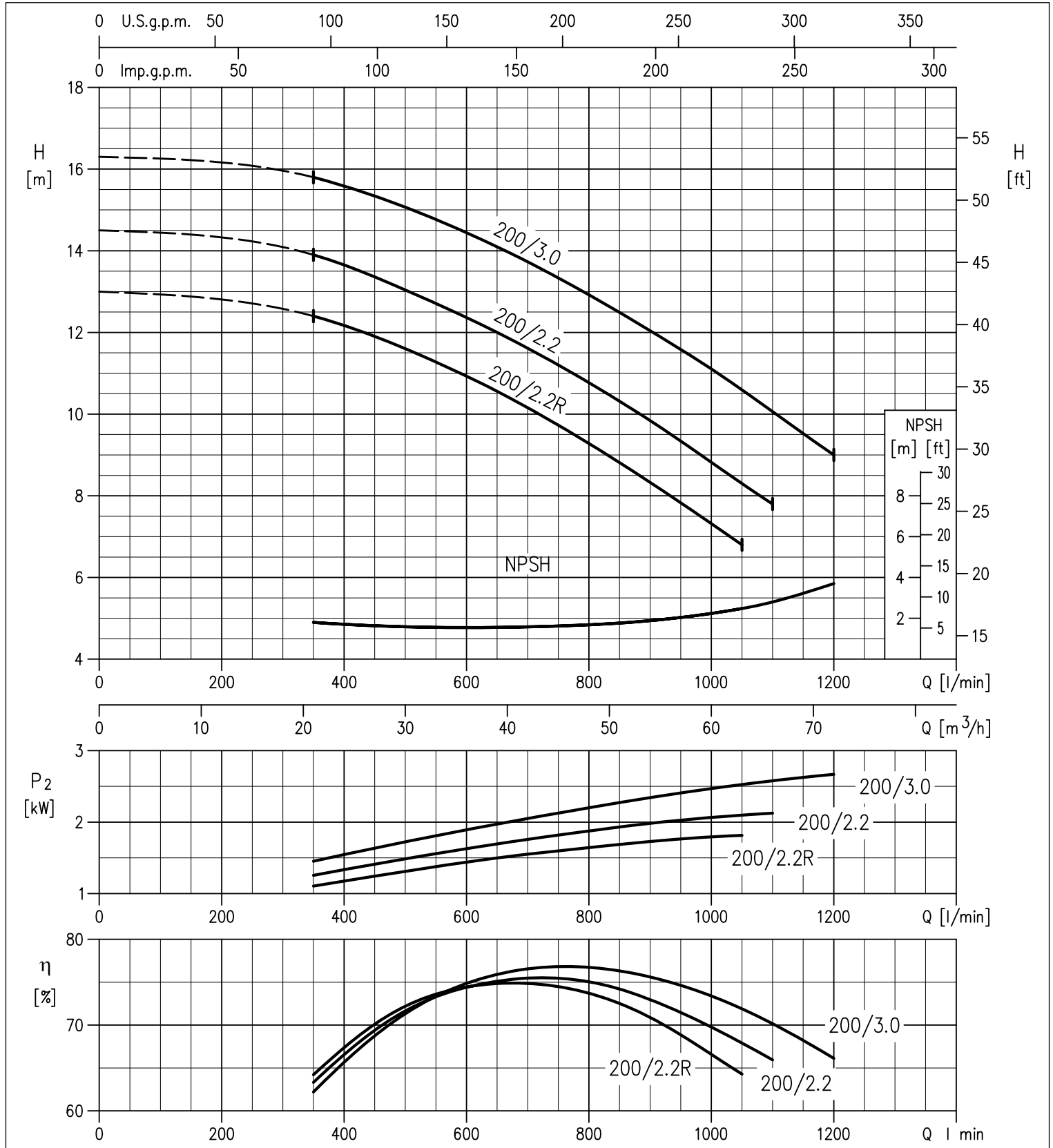


# 3D SERIES

## CENTRIFUGAL PUMPS CLOSE COUPLED AND STANDARDIZED EN 733

PERFORMANCE CURVES 3D(.) SERIES4 65-200 at 1400 min<sup>-1</sup> (according to ISO 9906 Attachment A)

4 Poles



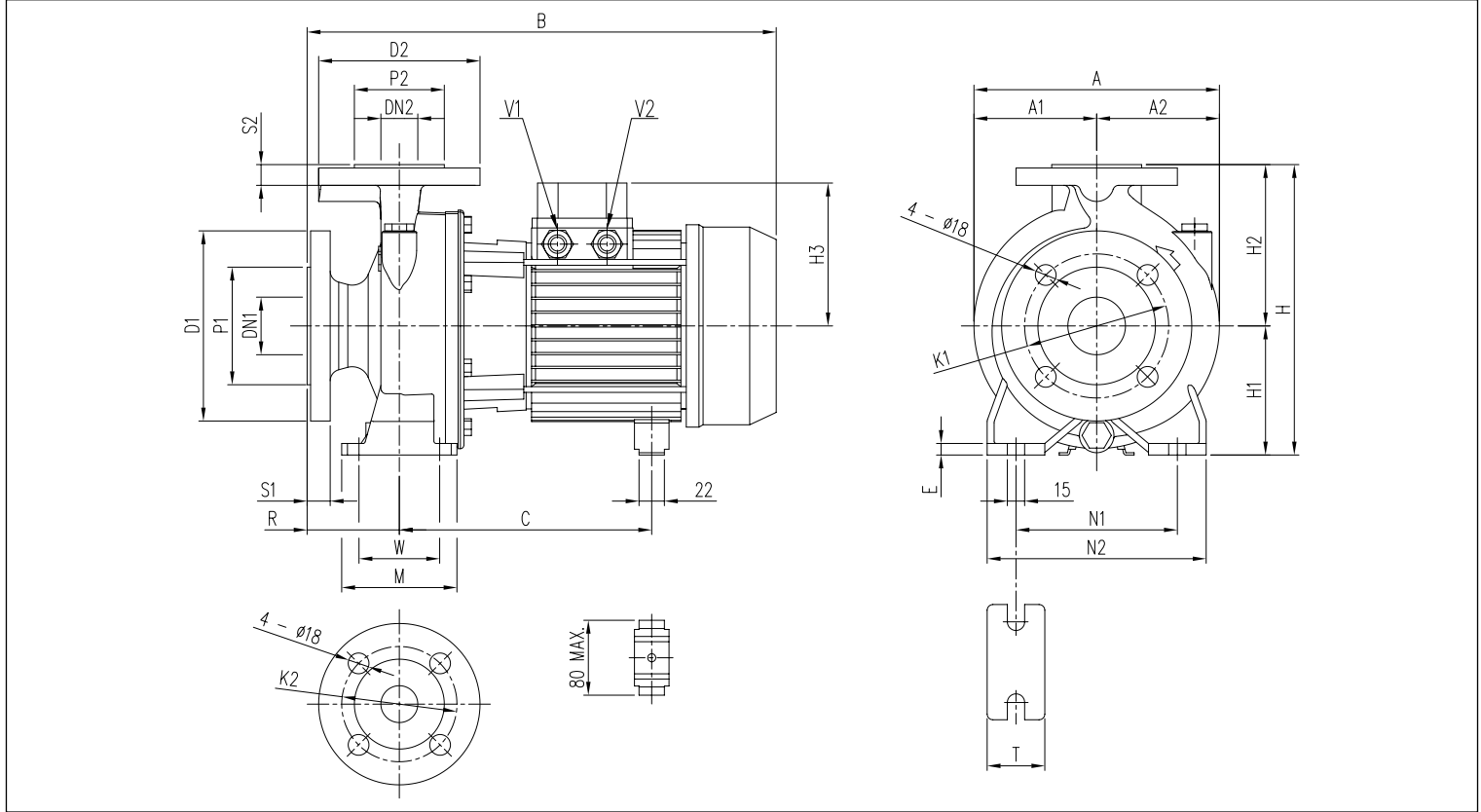
The contents of this publication must not be regarded as binding. EBARA Pumps Europe S.p.A. reserves the right to effect any modification it deems necessary without prior notice.

# 3D SERIES

## CENTRIFUGAL PUMPS CLOSE COUPLED AND STANDARDIZED EN 733

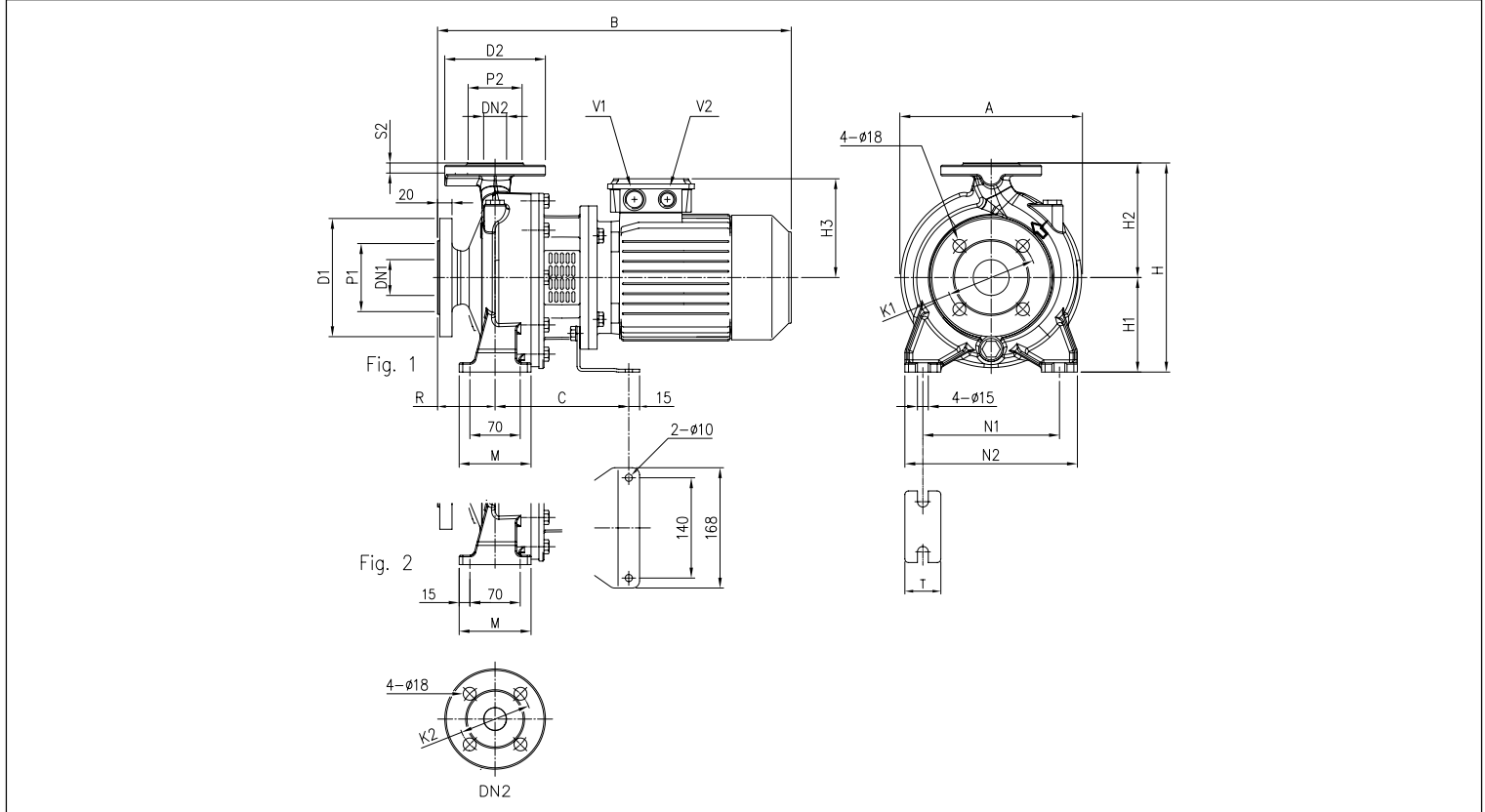
### DIMENSIONS 3D4 SERIES

4 Poles



### DIMENSIONAL TABLE

Model	Dimensions [mm]																				Weight [kg]								
	DN1	P1	K1	D1	S1	DN2	P2	K2	D2	S2	Fig.	H	H1	H2	H3	R	W	M	N1	N2		T	E	A	A1	A2	B	C	V2
3D4 32-125/0.25	50	102	125	165	20	32	78	100	140	18	1	252	112	140	102	80	70	100	140	190	50	10	213	106,5	106,5	371	205	PG 11	23,9
3D4 32-160/0.37R	50	102	125	165	20	32	78	100	140	18	1	292	132	160	119	80	70	100	190	240	50	10	254	127	127	393	219	PG 11	31,1
3D4 32-160/0.37	50	102	125	165	20	32	78	100	140	18	1	292	132	160	119	80	70	100	190	240	50	10	254	127	127	393	219	PG 11	31,3
3D4 32-200/0.55R	50	102	125	165	20	32	78	100	140	18	1	340	160	180	119	80	70	100	190	240	50	10	296	148	148	393	219	PG 11	35,9
3D4 32-200/0.55	50	102	125	165	20	32	78	100	140	18	1	340	160	180	119	80	70	100	190	240	50	10	296	148	148	393	219	PG 11	35,9
3D4 32-200/0.75	50	102	125	165	20	32	78	100	140	18	1	340	160	180	124	80	70	100	190	240	50	10	296	148	148	432	244÷255	PG 13,5	39,5
3D4 40-125/0.37R	65	122	145	185	20	40	88	110	150	18	1	252	112	140	102	80	70	100	160	210	50	10	213	108	112	371	205	PG 11	24,7
3D4 40-125/0.37	65	122	145	185	20	40	88	110	150	18	1	252	112	140	102	80	70	100	160	210	50	10	213	108	112	371	205	PG 11	24,8
3D4 40-160/0.55R	65	122	145	185	20	40	88	110	150	18	1	292	132	160	119	80	70	100	190	240	50	12	254	127	127	393	219	PG 11	32,3
3D4 40-160/0.55	65	122	145	185	20	40	88	110	150	18	1	292	132	160	119	80	70	100	190	240	50	12	254	127	127	393	219	PG 11	32,7
3D4 40-200/1.1R	65	122	145	185	20	40	88	110	150	18	2	340	160	180	124	100	70	100	212	265	50	12	296	148	148	452	244÷255	PG 13,5	41,2
3D4 40-200/1.1	65	122	145	185	20	40	88	110	150	18	2	340	160	180	124	100	70	100	212	265	50	12	296	148	148	452	244÷255	PG 13,5	41,3
3D4 40-200/1.5	65	122	145	185	20	40	88	110	150	18	2	340	160	180	124	100	70	100	212	265	50	12	296	148	148	491	244÷255	PG 13,5	43,0
3D4 50-125/0.55R	65	122	145	185	20	50	102	125	165	20	2	292	132	160	119	100	70	100	190	240	50	10	254	127	127	413	219	PG 11	32,7
3D4 50-125/0.55	65	122	145	185	20	50	102	125	165	20	2	292	132	160	119	100	70	100	190	240	50	10	254	127	127	413	219	PG 11	32,8
3D4 50-160/1.1R	65	122	145	185	20	50	102	125	165	20	2	340	160	180	124	100	70	100	212	265	50	10	296	145	148	452	244÷255	PG 13,5	42,2
3D4 50-160/1.1	65	122	145	185	20	50	102	125	165	20	2	340	160	180	124	100	70	100	212	265	50	10	296	148	148	452	244÷255	PG 13,5	42,3
3D4 50-200/1.5R	65	122	145	185	20	50	102	125	165	20	2	360	160	200	124	100	70	100	212	265	50	10	296	148	148	491	244÷255	PG 13,5	43,4
3D4 50-200/1.5	65	122	145	185	20	50	102	125	165	20	2	360	160	200	124	100	70	100	212	265	50	10	296	148	148	491	244÷255	PG 13,5	44,5
3D4 50-200/2.2	65	122	145	185	20	50	102	125	165	20	2	360	160	200	141	100	70	100	212	265	50	10	296	148	148	474	253	PG 16	42,9
3D4 65-125/0.55	80	138	160	200	22	65	122	145	185	20	2	340	160	180	119	100	95	125	212	280	65	12	263	127	136	413	219	PG 11	37,2
3D4 65-125/0.75	80	138	160	200	22	65	122	145	185	20	2	340	160	180	124	100	95	125	212	280	65	12	263	127	136	452	244÷255	PG 13,5	35,3
3D4 65-125/1.1	80	138	160	200	22	65	122	145	185	20	2	340	160	180	124	100	95	125	212	280	65	12	263	127	136	452	244÷255	PG 13,5	35,3
3D4 65-160/1.1	80	138	160	200	22	65	122	145	185	20	2	360	160	200	124	100	95	125	212	280	65	12	296	148	148	452	244÷255	PG 13,5	44,6
3D4 65-160/1.5	80	138	160	200	22	65	122	145	185	20	2	360	160	200	124	100	95	125	212	280	65	12	296	148	148	491	244÷255	PG 13,5	46,1
3D4 65-160/2.2	80	138	160	200	22	65	122	145	185	20	2	360	160	200	141	100	95	125	212	280	65	12	296	148	148	474	253	PG 16	48,1
3D4 65-200/2.2R	80	138	160	200	22	65	122	145	185	20	2	405	180	225	141	100	95	125	250	320	65	12	312	154,5	157,5	474	253	PG 16	46,5
3D4 65-200/2.2	80	138	160	200	22	65	122	145	185	20	2	405	180	225	141	100	95	125	250	320	65	12	312	154,5	157,5	474	253	PG 16	46,5
3D4 65-200/3	80	138	160	200	22	65	122	145	185	20	2	405	180	225	141	100	95	125	250	320	65	12	312	154,5	157,5	514	253	PG 16	54,5



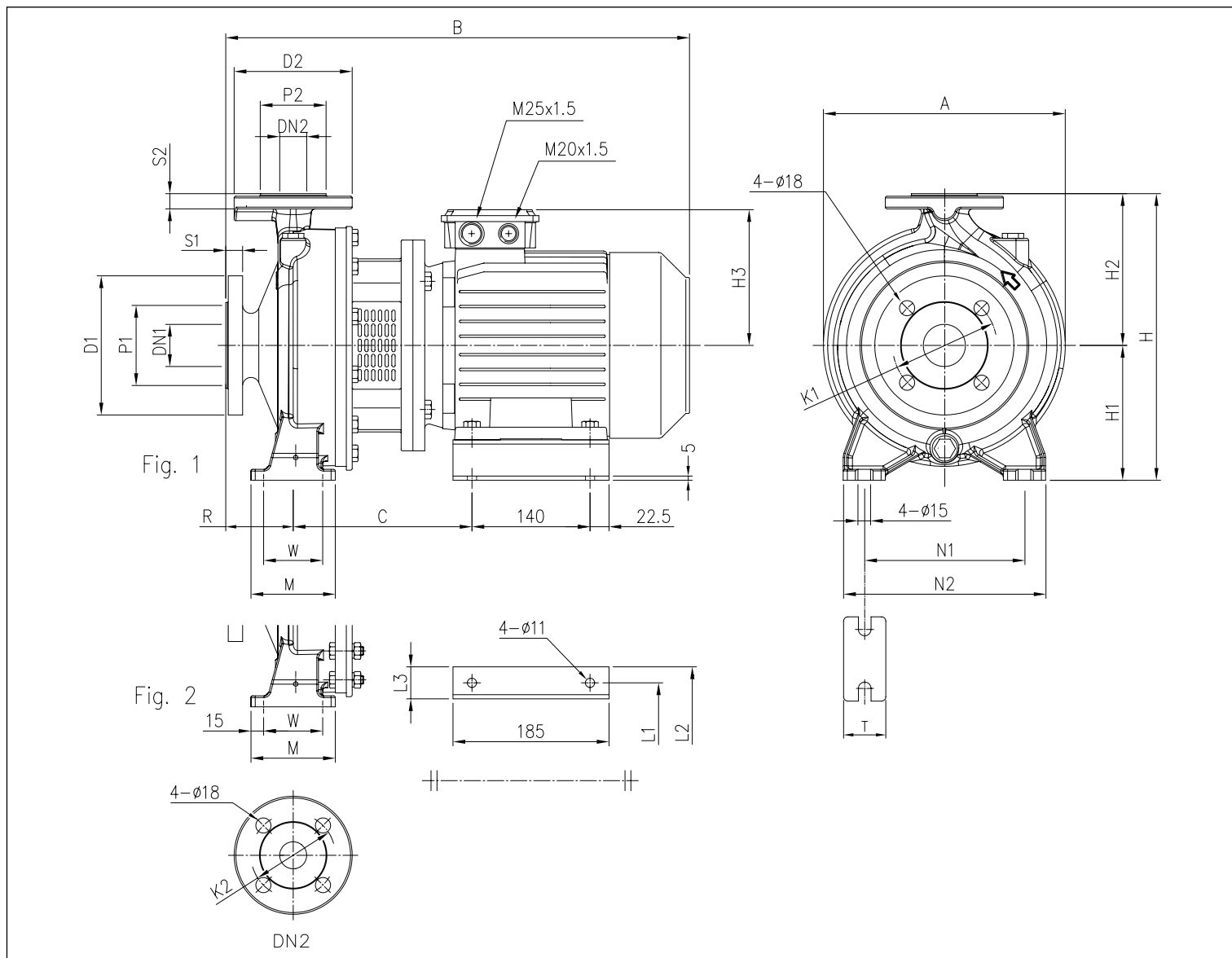
**DIMENSIONAL TABLE**

Model	Dimensions [mm]																								V2	V2	Weight [kg]			
	DN1	P1	K1	D1	S1	DN2	P2	K2	D2	S2	Fig.	H	H1	H2	H3	R	W	M	N1	N2	T	A	B	C				X	Y	K
3DS4 32-125/0.25	50	102	125	165	20	32	78	100	140	18	1	252	112	140	114	80	70	100	140	190	50	213	404	153	112	140	8	M20x1,5	M16x1,5	24,3
3DS4 32-160/0.37R	50	102	125	165	20	32	78	100	140	18	1	292	132	160	114	80	70	100	190	240	50	254	404	153	112	140	8	M20x1,5	M16x1,5	29,9
3DS4 32-160/0.37	50	102	125	165	20	32	78	100	140	18	1	292	132	160	114	80	70	100	190	240	50	254	404	153	112	140	8	M20x1,5	M16x1,5	30,1
3DS4 32-200/0.55R	50	102	125	165	20	32	78	100	140	18	1	340	160	180	139	80	70	100	190	240	50	296	430	174	140	168	10	M25x1,5	M20x1,5	39,4
3DS4 32-200/0.55	50	102	125	165	20	32	78	100	140	18	1	340	160	180	139	80	70	100	190	240	50	296	430	174	140	168	10	M25x1,5	M20x1,5	44,4
3DS4 32-200/0.75	50	102	125	165	20	32	78	100	140	18	1	340	160	180	139	80	70	100	190	240	50	296	430	174	140	168	10	M25x1,5	M20x1,5	40,9
3DS4 40-125/0.37R	65	122	145	185	20	40	88	110	150	18	1	252	112	140	114	80	70	100	160	210	50	220	404	153	112	140	8	M20x1,5	M16x1,5	25,3
3DS4 40-125/0.37	65	122	145	185	20	40	88	110	150	18	1	252	112	140	114	80	70	100	160	210	50	220	404	153	112	140	8	M20x1,5	M16x1,5	25,3
3DS4 40-160/0.55R	65	122	145	185	20	40	88	110	150	18	1	292	132	160	139	80	70	100	190	240	50	254	430	174	140	168	10	M25x1,5	M20x1,5	35,6
3DS4 40-160/0.55	65	122	145	185	20	40	88	110	150	18	1	292	132	160	139	80	70	100	190	240	50	254	430	174	140	168	10	M25x1,5	M20x1,5	35,6
3DS4 40-200/1.1R	65	122	145	185	20	40	88	110	150	18	2	340	160	180	148	100	70	100	212	265	50	296	497	186	140	168	10	M25x1,5	M20x1,5	47
3DS4 40-200/1.1	65	122	145	185	20	40	88	110	150	18	2	340	160	180	148	100	70	100	212	265	50	296	497	186	140	168	10	M25x1,5	M20x1,5	47
3DS4 40-200/1.5	65	122	145	185	20	40	88	110	150	18	2	340	160	180	148	100	70	100	212	265	50	296	497	186	140	168	10	M25x1,5	M20x1,5	48,2
3DS4 50-125/0.55R	65	122	145	185	20	50	102	125	165	20	2	292	132	160	139	100	70	100	190	240	50	254	450	174	140	168	10	M25x1,5	M20x1,5	36
3DS4 50-125/0.55	65	122	145	185	20	50	102	125	165	20	2	292	132	160	139	100	70	100	190	240	50	254	450	174	140	168	10	M25x1,5	M20x1,5	36
3DS4 50-160/1.1R	65	122	145	185	20	50	102	125	165	20	2	340	160	180	148	100	70	100	212	265	50	296	497	186	140	168	10	M25x1,5	M20x1,5	47,6
3DS4 50-160/1.1	65	122	145	185	20	50	102	125	165	20	2	340	160	180	148	100	70	100	212	265	50	296	497	186	140	168	10	M25x1,5	M20x1,5	47,6
3DS4 50-200/1.5R	65	122	145	185	20	50	102	125	165	20	2	360	160	200	148	100	70	100	212	265	50	296	497	186	140	168	10	M25x1,5	M20x1,5	50
3DS4 50-200/1.5	65	122	145	185	20	50	102	125	165	20	2	360	160	200	148	100	70	100	212	265	50	296	497	186	140	168	10	M25x1,5	M20x1,5	50
3DS4 65-125/0.55	80	138	160	200	22	65	122	145	185	20	2	340	160	180	139	100	95	125	212	280	65	263	450	174	140	168	10	M25x1,5	M20x1,5	36,8
3DS4 65-125/0.75	80	138	160	200	22	65	122	145	185	20	2	340	160	180	139	100	95	125	212	280	65	263	450	174	140	168	10	M25x1,5	M20x1,5	45,3
3DS4 65-125/1.1	80	138	160	200	22	65	122	145	185	20	2	340	160	180	148	100	95	125	212	280	65	263	497	186	140	168	10	M25x1,5	M20x1,5	45,3
3DS4 65-160/1.1	80	138	160	200	22	65	122	145	185	20	2	360	160	200	148	100	95	125	212	280	65	296	497	186	140	168	10	M25x1,5	M20x1,5	47,1
3DS4 65-160/1.5	80	138	160	200	22	65	122	145	185	20	2	360	160	200	148	100	95	125	212	280	65	296	497	186	140	168	10	M25x1,5	M20x1,5	59,1

The contents of this publication must not be regarded as binding. EBARA Pumps Europe S.p.A. reserves the right to effect any modification it deems necessary, without prior notice.

### DIMENSIONS 3DS4 SERIES 50, 60

4 Poles

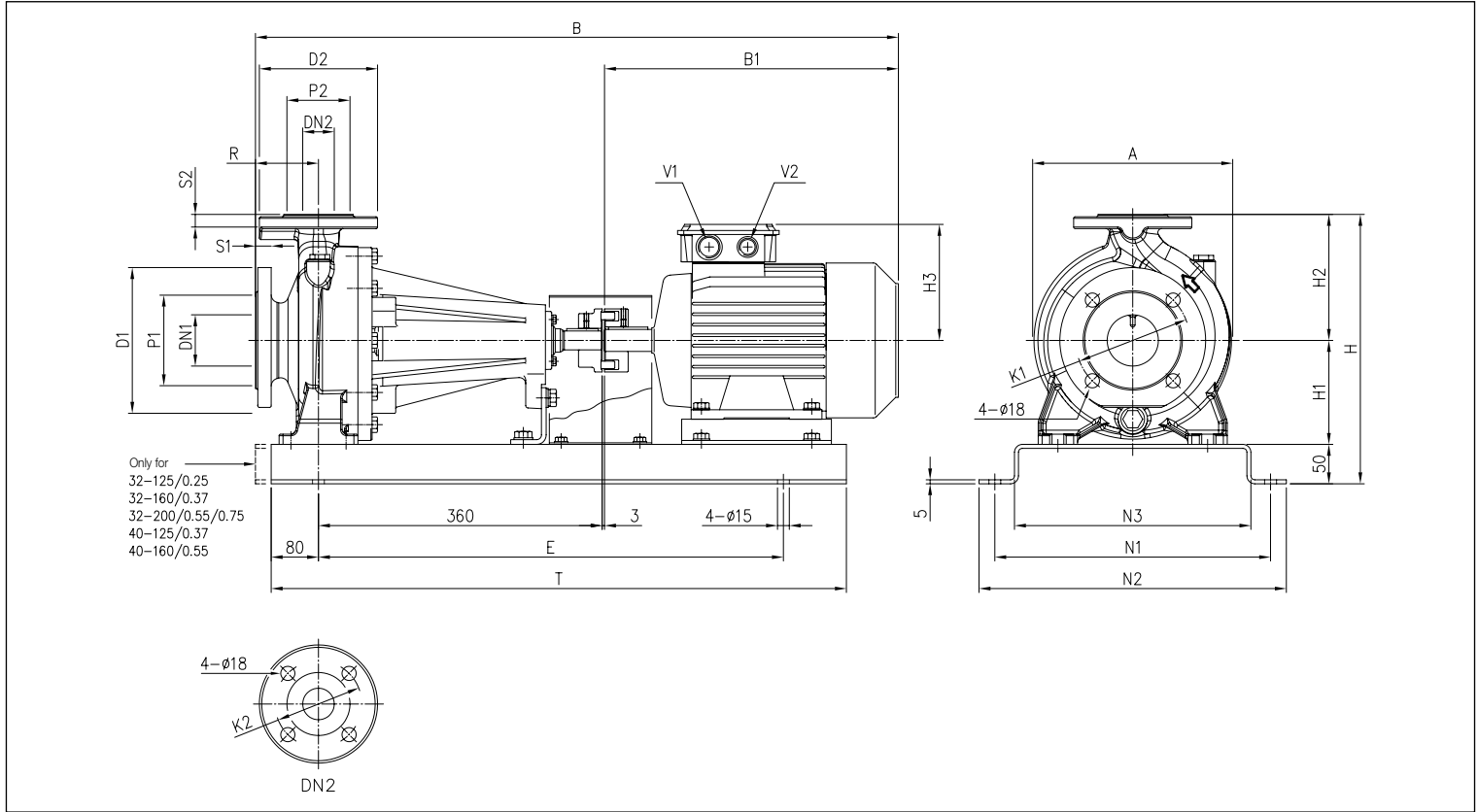


### DIMENSIONAL TABLE

Model	Dimensions [mm]									Dimensions [mm]										Weight [kg]
	DN1 Ø	P1 Ø	K1 Ø	D1 Ø	S1	DN2 Ø	P2 Ø	K2 Ø	D2 Ø	S2	H	H1	H2	W	M	A	N1	N2	T	
3DS4 50-200/2.2	65	122	145	185	20	50	102	125	165	20	360	160	200	70	100	296	212	265	50	55,9
3DS4 65-160/2.2	80	138	160	200	22	65	122	145	185	20	360	160	200	95	125	296	212	280	65	65,1
3DS4 65-200/2.2R	80	138	160	200	22	65	122	145	185	20	405	180	225	95	125	312	250	320	65	59
3DS4 65-200/2.2	80	138	160	200	22	65	122	145	185	20	405	180	225	95	125	312	250	320	65	59,5
3DS4 65-200/3	80	138	160	200	22	65	122	145	185	20	405	180	225	95	125	312	250	320	65	65

### DIMENSIONS 3DP4 SERIES 32, 65

4 Poles

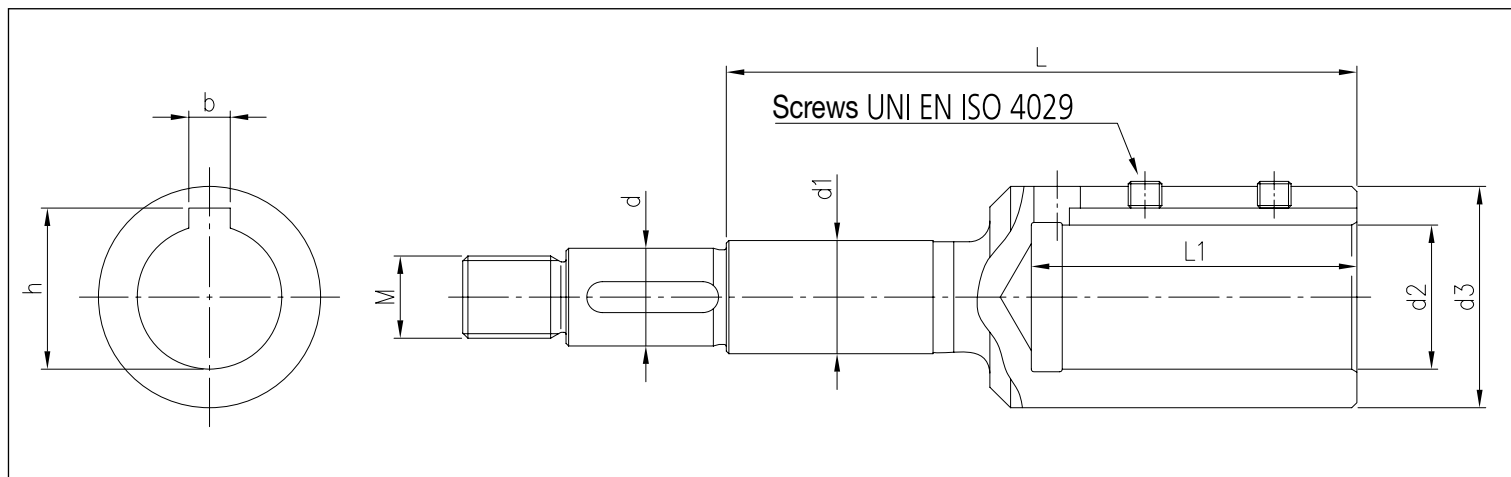


### DIMENSIONAL TABLE

Model	Dimensions [mm]																				V2	V2	Weight [kg]			
	DN1 Ø	P1 Ø	K1 Ø	D1 Ø	S1	DN2 Ø	P2 Ø	K2 Ø	D2 Ø	S2	H	H1	H2	H3	R	A	B	B1	E	N1				N2	N3	T
3DP4 32-125/0.25	50	102	125	165	20	32	78	100	140	18	302	112	140	114	80	213	689	246	550	300	340	250	710	M20x1,5	M16x1,5	45,9
3DP4 32-160/0.37R	50	102	125	165	20	32	78	100	140	18	342	132	160	114	80	254	689	246	510	350	390	300	670	M20x1,5	M16x1,5	52,4
3DP4 32-160/0.37	50	102	125	165	20	32	78	100	140	18	342	132	160	114	80	254	689	246	510	350	390	300	670	M20x1,5	M16x1,5	52,4
3DP4 32-200/0.55R	50	102	125	165	20	32	78	100	140	18	390	160	180	139	80	296	715	272	510	350	390	300	670	M25x1,5	M20x1,5	64,9
3DP4 32-200/0.55	50	102	125	165	20	32	78	100	140	18	390	160	180	139	80	296	715	272	510	350	390	300	670	M25x1,5	M20x1,5	64,9
3DP4 32-200/0.75	50	102	125	165	20	32	78	100	140	18	390	160	180	139	80	296	715	272	510	350	390	300	670	M25x1,5	M20x1,5	65,9
3DP4 40-125/0.37R	65	122	145	185	20	40	88	110	150	18	302	112	140	114	80	220	689	246	550	300	340	250	710	M20x1,5	M16x1,5	55,6
3DP4 40-125/0.37	65	122	145	185	20	40	88	110	150	18	302	112	140	114	80	220	689	246	550	300	340	250	710	M20x1,5	M16x1,5	55,6
3DP4 40-160/0.55R	65	122	145	185	20	40	88	110	150	18	342	132	160	139	80	254	715	272	510	350	390	300	670	M25x1,5	M20x1,5	56,6
3DP4 40-160/0.55	65	122	145	185	20	40	88	110	150	18	342	132	160	139	80	254	715	272	510	350	390	300	670	M25x1,5	M20x1,5	56,6
3DP4 40-200/1.1R	65	122	145	185	20	40	88	110	150	18	390	160	180	148	100	296	780	317	590	350	390	300	750	M25x1,5	M20x1,5	74,2
3DP4 40-200/1.1	65	122	145	185	20	40	88	110	150	18	390	160	180	148	100	296	780	317	590	350	390	300	750	M25x1,5	M20x1,5	74,2
3DP4 40-200/1.5	65	122	145	185	20	40	88	110	150	18	390	160	180	148	100	296	780	317	590	350	390	300	750	M25x1,5	M20x1,5	76,7
3DP4 50-125/0.55R	65	122	145	185	20	50	102	125	165	20	342	132	160	139	100	254	735	272	510	350	390	300	670	M25x1,5	M20x1,5	57,3
3DP4 50-125/0.55	65	122	145	185	20	50	102	125	165	20	342	132	160	139	100	254	735	272	510	350	390	300	670	M25x1,5	M20x1,5	57,3
3DP4 50-160/1.1R	65	122	145	185	20	50	102	125	165	20	390	160	180	148	100	296	780	317	590	350	390	300	750	M25x1,5	M20x1,5	66,1
3DP4 50-160/1.1	65	122	145	185	20	50	102	125	165	20	390	160	180	148	100	296	780	317	590	350	390	300	750	M25x1,5	M20x1,5	66,1
3DP4 50-200/1.5R	65	122	145	185	20	50	102	125	165	20	410	160	200	148	100	296	780	317	590	350	390	300	750	M25x1,5	M20x1,5	76,9
3DP4 50-200/1.5	65	122	145	185	20	50	102	125	165	20	410	160	200	148	100	296	780	317	590	350	390	300	750	M25x1,5	M20x1,5	76,9
3DP4 50-200/1.5	65	122	145	185	20	50	102	125	165	20	410	160	200	155	100	296	829	366	590	350	390	300	750	M25x1,5	M20x1,5	82,9
3DP4 65-125/0.55	80	138	160	200	22	65	122	145	185	20	390	160	180	139	100	263	735	272	510	350	390	300	670	M25x1,5	M20x1,5	63,8
3DP4 65-125/0.75	80	138	160	200	22	65	122	145	185	20	390	160	180	139	100	263	735	272	510	350	390	300	670	M25x1,5	M20x1,5	63,8
3DP4 65-125/1.1	80	138	160	200	22	65	122	145	185	20	390	160	180	148	100	263	780	317	590	350	390	300	750	M25x1,5	M20x1,5	71,3
3DP4 65-160/1.1	80	138	160	200	22	65	122	145	185	20	410	160	200	148	100	296	780	317	590	350	390	300	750	M25x1,5	M20x1,5	78,6
3DP4 65-160/1.5	80	138	160	200	22	65	122	145	185	20	410	160	200	148	100	296	780	317	590	350	390	300	750	M25x1,5	M20x1,5	79,6
3DP4 65-160/2.2	80	138	160	200	22	65	122	145	185	20	410	160	200	155	100	296	829	366	590	350	390	300	750	M25x1,5	M20x1,5	87,6
3DP4 65-200/2.2R	80	138	160	200	22	65	122	145	185	20	455	180	225	155	100	296	829	366	590	380	420	330	750	M25x1,5	M20x1,5	90,5
3DP4 65-200/2.2	80	138	160	200	22	65	122	145	185	20	455	180	225	155	100	296	829	366	590	380	420	330	750	M25x1,5	M20x1,5	90,5
3DP4 65-200/3	80	138	160	200	22	65	122	145	185	20	455	180	225	155	100	296	829	366	590	380	420	330	750	M25x1,5	M20x1,5	94,0

### Joint for 3DS4 SERIES

4 Poles



### DIMENSIONAL TABLE

Model	[HP]	[kW]	Motor size	Dimensions [mm]										
				d	d1	d2	d3	M	L	L1	b	h	Screws	
3DS4 32-125/0.25	0,33	0,25	71	19	22	14	28	M16x1,5	88	33	5	16,3	M5x6	
3DS4 32-160/0.37R	0,5	0,37	71	19	22	14	28	M16x1,5	88	33	5	16,3	M5x6	
3DS4 32-160/0.37	0,5	0,37	71	19	22	14	28	M16x1,5	88	33	5	16,3	M5x6	
3DS4 32-200/0.55R	0,75	0,55	80	19	22	19	33	M16x1,5	98	43	6	21,8	M6x6	
3DS4 32-200/0.55	0,75	0,55	80	19	22	19	33	M16x1,5	98	43	6	21,8	M6x6	
3DS4 32-200/0.75	1	0,75	80	19	22	19	33	M16x1,5	98	43	6	21,8	M6x6	
3DS4 40-125/0.37R	0,5	0,37	71	19	22	14	28	M16x1,5	88	33	5	16,3	M5x6	
3DS4 40-125/0.37	0,5	0,37	71	19	22	14	28	M16x1,5	88	33	5	16,3	M5x6	
3DS4 40-160/0.55R	0,75	0,55	80	19	22	19	33	M16x1,5	98	43	6	21,8	M6x6	
3DS4 40-160/0.55	0,75	0,55	80	19	22	19	33	M16x1,5	98	43	6	21,8	M6x6	
3DS4 40-200/1.1R	1,5	1,1	90	19	22	24	39	M16x1,5	110	53	8	27,3	M8x8	
3DS4 40-200/1.1	1,5	1,1	90	19	22	24	39	M16x1,5	110	53	8	27,3	M8x8	
3DS4 40-200/1.5	2	1,5	90	19	22	24	39	M16x1,5	110	53	8	27,3	M8x8	
3DS4 50-125/0.55R	0,75	0,55	80	19	22	19	33	M16x1,5	98	43	6	21,8	M6x6	
3DS4 50-125/0.55	0,75	0,55	80	19	22	19	33	M16x1,5	98	43	6	21,8	M6x6	
3DS4 50-160/1.1R	1,5	1,1	90	19	22	24	39	M16x1,5	110	53	8	27,3	M8x8	
3DS4 50-160/1.1	1,5	1,1	90	19	22	24	39	M16x1,5	110	53	8	27,3	M8x8	
3DS4 50-200/1.5R	2	1,5	90	19	22	24	39	M16x1,5	110	53	8	27,3	M8x8	
3DS4 50-200/1.5	2	1,5	90	19	22	24	39	M16x1,5	110	53	8	27,3	M8x8	
3DS4 50-200/2.2	3	2,2	100	22	22	28	43	M18x1,5	153	63	8	31,3	M8x8	
3DS4 65-125/0.55	0,75	0,55	80	19	22	19	33	M16x1,5	98	43	6	21,8	M6x6	
3DS4 65-125/0.75	1	0,75	80	19	22	19	33	M16x1,5	98	43	6	21,8	M6x6	
3DS4 65-125/1.1	1,5	1,1	90	19	22	24	39	M16x1,5	110	53	8	27,3	M8x8	
3DS4 65-160/1.1	1,5	1,1	90	19	22	24	39	M16x1,5	110	53	8	27,3	M8x8	
3DS4 65-160/1.5	2	1,5	90	19	22	24	39	M16x1,5	110	53	8	27,3	M8x8	
3DS4 65-160/2.2	3	2,2	100	19	22	28	43	M16x1,5	122	63	8	31,3	M8x8	
3DS4 65-200/2.2R	3	2,2	100	19	22	28	43	M16x1,5	122	63	8	31,3	M8x8	
3DS4 65-200/2.2	3	2,2	100	19	22	28	43	M16x1,5	122	63	8	31,3	M8x8	
3DS4 65-200/3	4	3	100	19	22	28	43	M16x1,5	122	63	8	31,3	M8x8	

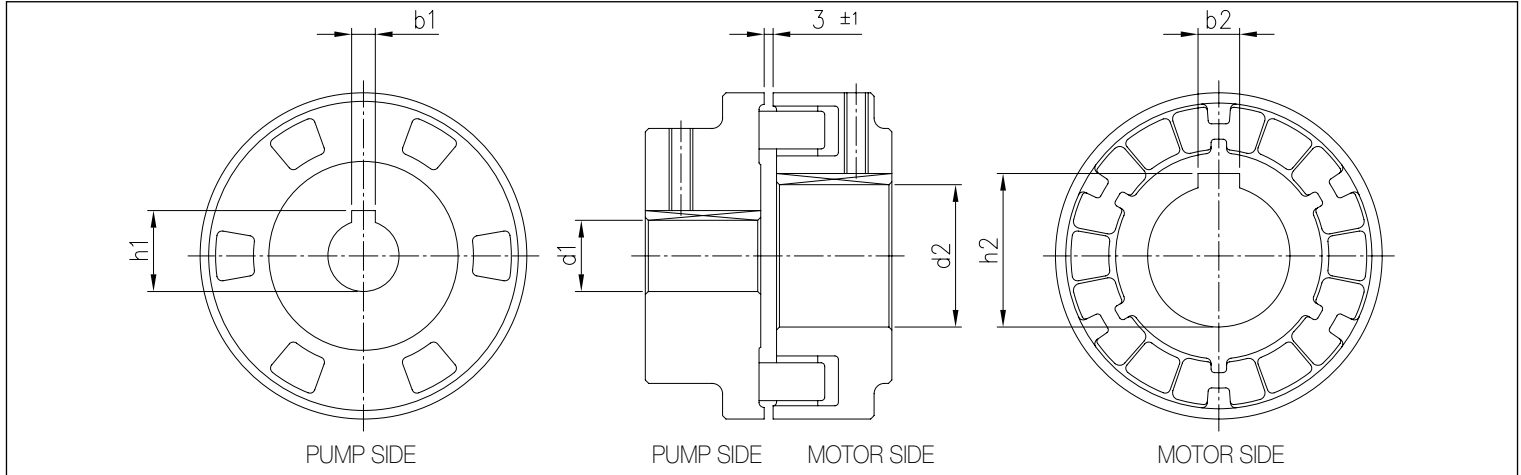
The contents of this publication must not be regarded as binding. EBARA Pumps Europe S.p.A. reserves the right to effect any modification it deems necessary, without prior notice.

# 3D SERIES

## CENTRIFUGAL PUMPS CLOSE COUPLED AND STANDARDIZED EN 733

### Joint for 3DP4 SERIES

4 Poles



### DIMENSIONAL TABLE

Model	[HP]	[kW]	Motor size	Dimensions [mm]					
				d1	b1	h1	d2	b2	h2
3DP4 32-125/0.25	0,33	0,25	71	24	8	27,3	14	5	16,3
3DP4 32-160/0.37R	0,5	0,37	71	24	8	27,3	14	5	16,3
3DP4 32-160/0.37	0,5	0,37	71	24	8	27,3	14	5	16,3
3DP4 32-200/0.55R	0,75	0,55	80	24	8	27,3	19	6	21,8
3DP4 32-200/0.55	0,75	0,55	80	24	8	27,3	19	6	21,8
3DP4 32-200/0.75	1	0,75	80	24	8	27,3	19	6	21,8
3DP4 40-125/0.37R	0,5	0,37	71	24	8	27,3	14	5	16,3
3DP4 40-125/0.37	0,5	0,37	71	24	8	27,3	14	5	16,3
3DP4 40-160/0.55R	0,75	0,55	80	24	8	27,3	19	6	21,8
3DP4 40-160/0.55	0,75	0,55	80	24	8	27,3	19	6	21,8
3DP4 40-200/1.1R	1,5	1,1	90	24	8	27,3	24	8	27,3
3DP4 40-200/1.1	1,5	1,1	90	24	8	27,3	24	8	27,3
3DP4 40-200/1.5	2	1,5	90	24	8	27,3	24	8	27,3
3DP4 50-125/0.55R	0,75	0,55	80	24	8	27,3	19	6	21,8
3DP4 50-125/0.55	0,75	0,55	80	24	8	27,3	19	6	21,8
3DP4 50-160/1.1R	1,5	1,1	90	24	8	27,3	24	8	27,3
3DP4 50-160/1.1	1,5	1,1	90	24	8	27,3	24	8	27,3
3DP4 50-200/1.5R	2	1,5	90	24	8	27,3	24	8	27,3
3DP4 50-200/1.5	2	1,5	90	24	8	27,3	24	8	27,3
3DP4 50-200/2.2	3	2,2	100	24	8	27,3	28	8	31,3
3DP4 65-125/0.55	0,75	0,55	80	24	8	27,3	19	6	21,8
3DP4 65-125/0.75	1	0,75	80	24	8	27,3	19	6	21,8
3DP4 65-125/1.1	1,5	1,1	90	24	8	27,3	24	8	27,3
3DP4 65-160/1.1	1,5	1,1	90	24	8	27,3	24	8	27,3
3DP4 65-160/1.5	2	1,5	90	24	8	27,3	24	8	27,3
3DP4 65-160/2.2	3	2,2	100	24	8	27,3	28	8	31,3
3DP4 65-200/2.2R	3	2,2	100	24	8	27,3	28	8	31,3
3DP4 65-200/2.2	3	2,2	100	24	8	27,3	28	8	31,3
3DP4 65-200/3	4	3	100	24	8	27,3	28	8	31,3

The contents of this publication must not be regarded as binding. EBARA Pumps Europe S.p.A. reserves the right to effect any modification it deems necessary without prior notice.

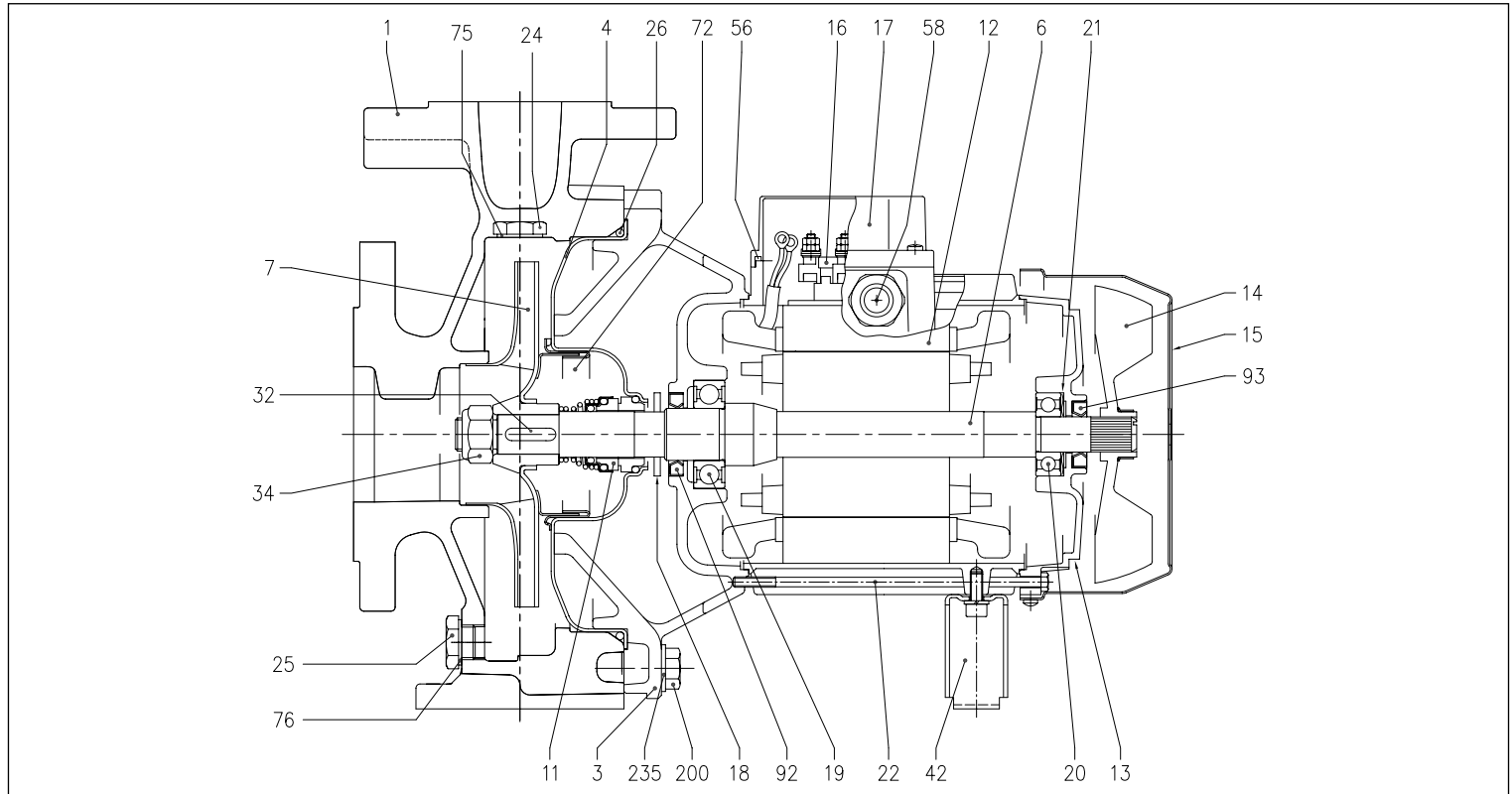


# 3D SERIES

## CENTRIFUGAL PUMPS CLOSE COUPLED AND STANDARDIZED EN 733

### SECTIONAL VIEW 3D4 SERIES

4 Poles



### MATERIALS TABLE

Ref.	Name	Material	Ref.	Name	Material
001	Pump casing	Cast iron EN-GJL-250-EN 1561[1]	022	Tie-rod	Fe 42 Galvanized
003	Motor bracket	[1]	024	Plug	Brass
004	Seal housing disc	EN 1.4301 (AISI 304)	025	Plug	Brass
006	Rotor shaft (part in contact with the liquid)	EN 1.4301 (AISI 304)	026	O-Ring	NBR [3]
007	Impeller	[2]	032	Key	EN 1.4401 (AISI 316)
011	Mechanical seal	Ceramic/Carbon/NBR	034	Impeller nut	EN 1.4301 (AISI 304)
012	Motor frame	-	042	Motor support	Aluminium / Galvanized steel
013	Motor cover	Aluminium	056	Terminal box gasket	NBR
014	Fan	PA	058	Cable gland	-
015	Fan cover	Fe P04 Galvanized	072	Casing ring [4]	EN 1.4301 (AISI 304)
016	Terminal box	-	075	Washer	Aluminium
017	Terminal box cover	Aluminium (three phase only)	076	Washer	Aluminium
018	Spray protector washer	NBR	092	Seal ring	-
019	Bearing (pump side)	-	093	Seal ring	-
020	Bearing (motor side)	-	200	Screw	Galvanized steel 8.8 class ISO 898-1
021	Adjusting ring	Steel C70	235	Washer	Galvanized steel

[1]= Aluminium AL-EN-1706-AC-46000-D for 3D4 SERIES 50-200/2.2, 65-125/0.75 and 1.1, 65-160/2.2, 65-200/2.2 and 3 kW; cast iron EN-GJL-200-EN 1561 for the rest of the range

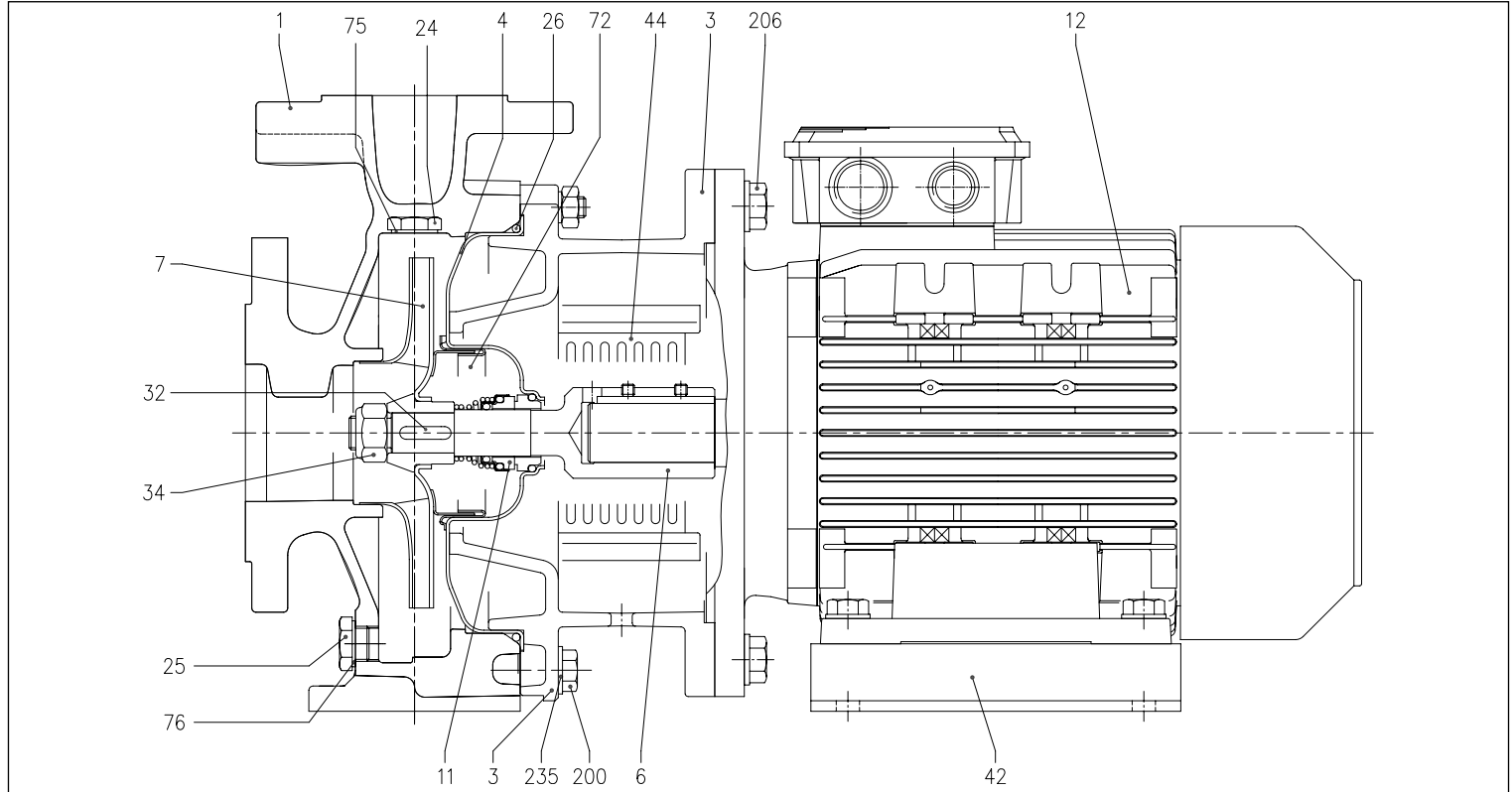
[2]= EN 1.4301 (AISI 304) for 3D4 SERIES 32, 40, 50; EN 1.4401 (AISI 316) for 3D4 SERIES 65

[3]= FPM for H, HS, HW, HSW versions; EPDM for E version

[4]= Only for 3D4 SERIES 32-200, 40-200, 50-160, 50-200

### SECTIONAL VIEW 3DS4 SERIES

4 Poles



### MATERIALS TABLE

Ref.	Name	Material
001	Pump casing	Cast iron EN-GJL-250-EN 1561
003	Motor bracket	Cast iron EN-GJL-250-EN 1561
004	Seal housing disc	EN 1.4301 (AISI 304)
006	Joint (part in contact with the liquid)	EN 1.4301 (AISI 304)
007	Impeller	[1]
011	Mechanical seal	Ceramic/Carbon/NBR
012	Motor	-
024	Plug	Brass
025	Plug	Brass
026	O-Ring	NBR [2]
032	Key	EN 1.4401 (AISI 316)
034	Impeller nut	EN 1.4301 (AISI 304)
042	Motor support	Galvanized steel
044	Support protection	EN 1.4301 (AISI 304)
072	Casing ring [3]	EN 1.4301 (AISI 304)
075	Washer	Aluminium
076	Washer	Aluminium
200	Screw	Galvanized steel 8.8 class ISO 898-1
206	Screw (support)	Galvanized steel 8.8 class ISO 898-1
235	Washer	Galvanized steel

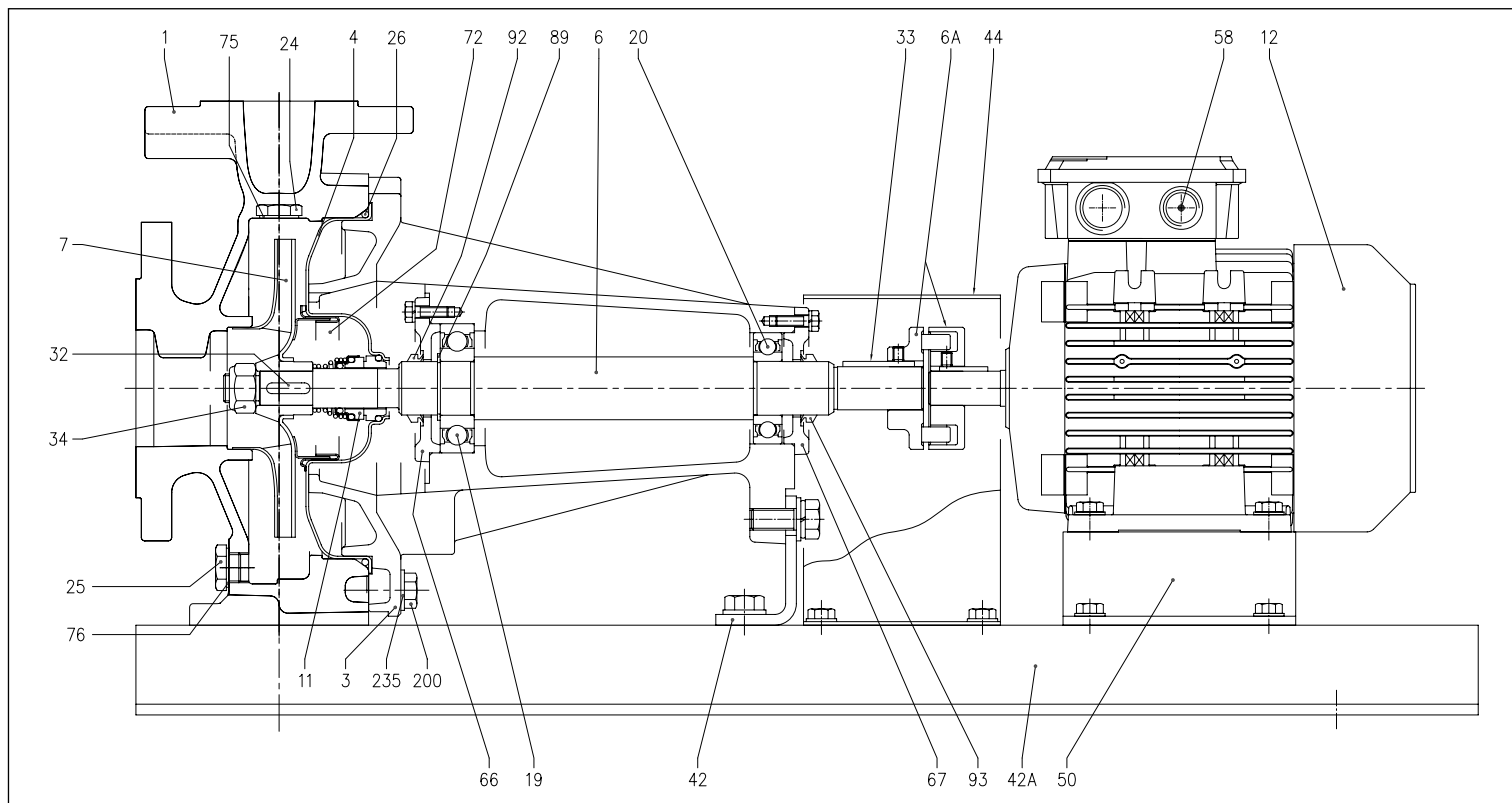
[1]= EN 1.4301 (AISI 304) for 3DS4 SERIES 32, 40, 50; EN 1.4401 (AISI 316) for 3DS4 SERIES 65

[2]= FPM for H, HS, HW, HSW versions; EPDM for E version

[3]= Only for 3DS4 SERIES 32-200, 40-200, 50-160, 50-200

### SECTIONAL VIEW 3DP4 SERIES

4 Poles



### MATERIALS TABLE

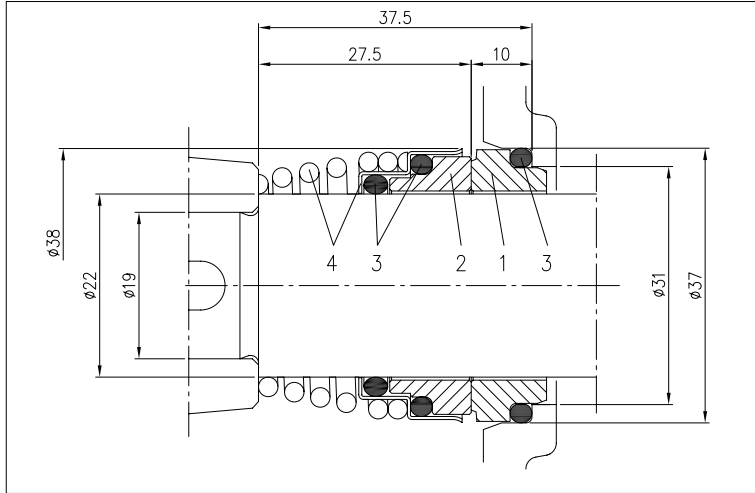
Ref.	Name	Material	Ref.	Name	Material
001	Pump casing	Cast iron EN-GJL-250-EN 1561	034	Impeller nut	EN 1.4301 (AISI 304)
003	Motor bracket	Cast iron EN-GJL-250-EN 1561	042	Pump support	Fe 37 Galvanized
004	Seal housing disc	EN 1.4301 (AISI 304)	042A	Base	Fe 37 Galvanized
006	Rotor shaft	EN 1.4301 (AISI 304)	050	Motor support	Aluminium / Galvanized steel
006A	Flexible joint	Cast iron EN-GJL-250-EN 1561	058	Cable gland	-
007	Impeller	[1]	066	Support cover	Cast iron EN-GJL-250-EN 1561
011	Mechanical seal	Ceramic/Carbon/NBR	067	Support cover	Cast iron EN-GJL-250-EN 1561
012	Motor frame	-	072	Casing ring [3]	EN 1.4301 (AISI 304)
019	Bearing	-	075	Washer	Aluminium
020	Bearing	-	076	Washer	Aluminium
024	Plug	Brass	089	Seeger ring	Steel al carbonio TC 80
025	Plug	Brass	092	Seal ring	-
026	O-Ring	NBR [2]	093	Seal ring	-
032	Key	EN 1.4401 (AISI 316)	200	Screw	Galvanized steel 8.8 class ISO 898-1
033	Key	C40	235	Washer	Galvanized steel

[1]= EN 1.4301 (AISI 304) for 3DP4 SERIES 32, 40, 50; EN 1.4401 (AISI 316) for 3DP4 SERIES 65

[2]= FPM for H, HS, HW, HSW versions; EPDM for E version

[3]= Only for 3DP4 SERIES 32-200, 40-200, 50-160, 50-200

### MECHANICAL SEAL standard version



### MATERIALS TABLE

Ref.	Name	Material
1	Fixed part	Carbon
2	Rotating part	Ceramic
3	Gasket	NBR
4	Frame + spring	EN 1.4401 (AISI 316)

### SPECIAL MECHANICAL SEALS (on request)

Ref.	Name	Material				
		H version	HS version	HW version	HSW version	E version
1	Fixed part	Carbon	SiC	Tungsten Carbide	Tungsten Carbide	Carbon
2	Rotating part	Ceramic	SiC	Tungsten Carbide	SiC	Ceramic
3	Gasket	FPM	FPM	FPM	FPM	EPDM
4	Frame + spring	EN 1.4401 (AISI 316)	EN 1.4571 (AISI 316Ti)	EN 1.4401 (AISI 316)	EN 1.4401 (AISI 316)	EN 1.4401 (AISI 316)

# 3D SERIES

## CENTRIFUGAL PUMPS CLOSE COUPLED AND STANDARDIZED EN 733

ELECTRIC DATA TABLE 3D4 SERIES

4 Poles

Model Three phase 230/400V	P <sub>1</sub>		Efficiency	Efficiency(%) Three phase η %			P <sub>1</sub> [kW]	Absorbed current [A] Three phase	
	[HP]	[kW]		50%	75%	100%		230V	400V
3D4 32-125/0.25	0,33	0,25	-	-	-	-	0,55	1,9	1,1
3D4 32-160/0.37R	0,5	0,37	-	-	-	-	0,80	2,6	1,5
3D4 32-160/0.37	0,5	0,37	-	-	-	-	0,80	2,6	1,5
3D4 32-200/0.55R	0,75	0,55	-	-	-	-	0,80	2,6	1,5
3D4 32-200/0.55	0,75	0,55	-	-	-	-	0,80	2,6	1,5
3D4 32-200/0.75	1	0,75	IE2	78,4	81,6	81,9	1,41	4,6	2,7
3D4 40-125/0.37R	0,5	0,37	-	-	-	-	0,55	1,9	1,1
3D4 40-125/0.37	0,5	0,37	-	-	-	-	0,55	1,9	1,1
3D4 40-160/0.55R	0,75	0,55	-	-	-	-	0,80	2,6	1,5
3D4 40-160/0.55	0,75	0,55	-	-	-	-	0,80	2,6	1,5
3D4 40-200/1.1R	1,5	1,1	IE2	78,4	81,6	81,9	1,41	4,6	2,7
3D4 40-200/1.1	1,5	1,1	IE2	78,4	81,6	81,9	1,41	4,6	2,7
3D4 40-200/1.5	2	1,5	IE2	80,3	83,4	83,8	1,88	6,2	3,6
3D4 50-125/0.55R	0,75	0,55	-	-	-	-	0,80	2,6	1,5
3D4 50-125/0.55	0,75	0,55	-	-	-	-	0,80	2,6	1,5
3D4 50-160/1.1R	1,5	1,1	IE2	78,4	81,6	81,9	1,41	4,6	2,7
3D4 50-160/1.1	1,5	1,1	IE2	78,4	81,6	81,9	1,41	4,6	2,7
3D4 50-200/1.5R	2	1,5	IE2	80,3	83,4	83,8	1,88	6,2	3,6
3D4 50-200/1.5	2	1,5	IE2	80,3	83,4	83,8	1,88	6,2	3,6
3D4 50-200/2.2	3	2,2	IE2	84,6	86,0	85,6	2,70	8,1	4,7
3D4 65-125/0.55	0,75	0,55	-	-	-	-	0,80	2,6	1,5
3D4 65-125/0.75	1	0,75	IE2	78,4	81,6	81,9	1,41	4,6	2,7
3D4 65-125/1.1	1,5	1,1	IE2	78,4	81,6	81,9	1,41	4,6	2,7
3D4 65-160/1.1	1,5	1,1	IE2	78,4	81,6	81,9	1,41	4,6	2,7
3D4 65-160/1.5	2	1,5	IE2	80,3	83,4	83,8	1,88	6,2	3,6
3D4 65-160/2.2	3	2,2	IE2	84,6	86,0	85,6	2,70	8,1	4,7
3D4 65-200/2.2R	3	2,2	IE2	84,6	86,0	85,6	2,70	8,1	4,7
3D4 65-200/2.2	3	2,2	IE2	84,6	86,0	85,6	2,70	8,1	4,7
3D4 65-200/3	4	3	IE2	81,6	86,1	89,0	3,54	11,8	6,8

# 3D SERIES

## CENTRIFUGAL PUMPS CLOSE COUPLED AND STANDARDIZED EN 733

ELECTRIC DATA TABLE 3DS - 3DP SERIES

4 Poles

Model	3DS4 Three phase 230/400V	3DP4 Three phase 230/400V	P <sub>2</sub>		Efficiency	Efficiency(%) Three phase			P <sub>1</sub> [kW]	Absorbed current [A] Three phase	
			[HP]	[kW]		50%	η % 75%	100%		230V	400V
3DS4 32-125/0.25	3DP4 32-125/0.25	0,33	0,25	-	55,0	59,0	64,0	0,41	1,6	0,9	
3DS4 32-160/0.37R	3DP4 32-160/0.37R	0,5	0,37	-	60,0	63,0	67,0	0,56	2,1	1,2	
3DS4 32-160/0.37	3DP4 32-160/0.37	0,5	0,37	-	60,0	63,0	67,0	0,56	2,1	1,2	
3DS4 32-200/0.55R	3DP4 32-200/0.55R	0,75	0,55	-	67,0	69,0	70,0	0,80	2,8	1,6	
3DS4 32-200/0.55	3DP4 32-200/0.55	0,75	0,55	-	67,0	69,0	70,0	0,80	2,8	1,6	
3DS4 32-200/0.75	3DP4 32-200/0.75	1	0,75	IE2	79,2	80,3	80,2	0,95	3,1	1,8	
3DS4 40-125/0.37R	3DP4 40-125/0.37R	0,5	0,37	-	60,0	63,0	67,0	0,56	2,1	1,2	
3DS4 40-125/0.37	3DP4 40-125/0.37	0,5	0,37	-	60,0	63,0	67,0	0,56	2,1	1,2	
3DS4 40-160/0.55R	3DP4 40-160/0.55R	0,75	0,55	-	67,0	69,0	70,0	0,80	2,8	1,6	
3DS4 40-160/0.55	3DP4 40-160/0.55	0,75	0,55	-	67,0	69,0	70,0	0,80	2,8	1,6	
3DS4 40-200/1.1R	3DP4 40-200/1.1R	1,5	1,1	IE2	81,4	82,7	82,5	1,33	4,3	2,5	
3DS4 40-200/1.1	3DP4 40-200/1.1	1,5	1,1	IE2	81,4	82,7	82,5	1,33	4,3	2,5	
3DS4 40-200/1.5	3DP4 40-200/1.5	2	1,5	IE2	82,0	83,5	83,0	1,81	5,9	3,4	
3DS4 50-125/0.55R	3DP4 50-125/0.55R	0,75	0,55	-	67,0	69,0	70,0	0,80	2,8	1,6	
3DS4 50-125/0.55	3DP4 50-125/0.55	0,75	0,55	-	67,0	69,0	70,0	0,80	2,8	1,6	
3DS4 50-160/1.1R	3DP4 50-160/1.1R	1,5	1,1	IE2	81,4	82,7	82,5	1,33	4,3	2,5	
3DS4 50-160/1.1	3DP4 50-160/1.1	1,5	1,1	IE2	81,4	82,7	82,5	1,33	4,3	2,5	
3DS4 50-200/1.5R	3DP4 50-200/1.5R	2	1,5	IE2	82,0	83,5	83,0	1,81	5,9	3,4	
3DS4 50-200/1.5	3DP4 50-200/1.5	2	1,5	IE2	82,0	83,5	83,0	1,81	5,9	3,4	
3DS4 50-200/2.2	3DP4 50-200/2.2	3	2,20	IE2	84,0	85,3	85,1	2,61	8,8	5,1	
3DS4 65-125/0.55	3DP4 65-125/0.55	0,75	0,55	-	67,0	69,0	70,0	0,80	2,8	1,6	
3DS4 65-125/0.75	3DP4 65-125/0.75	1	0,75	IE2	79,2	80,3	80,2	0,95	3,1	1,8	
3DS4 65-125/1.1	3DP4 65-125/1.1	1,5	1,1	IE2	81,4	82,7	82,5	1,33	4,3	2,5	
3DS4 65-160/1.1	3DP4 65-160/1.1	1,5	1,1	IE2	81,4	82,7	82,5	1,33	4,3	2,5	
3DS4 65-160/1.5	3DP4 65-160/1.5	2	1,5	IE2	82,0	83,5	83,0	1,81	5,9	3,4	
3DS4 65-160/2.2	3DP4 65-160/2.2	3	2,20	IE2	84,0	85,3	85,1	2,61	8,8	5,1	
3DS4 65-200/2.2R	3DP4 65-200/2.2R	3	2,20	IE2	84,0	85,3	85,1	2,61	8,8	5,1	
3DS4 65-200/2.2	3DP4 65-200/2.2	3	2,20	IE2	84,0	85,3	85,1	2,61	8,8	5,1	
3DS4 65-200/3	3DP4 65-200/3	4	3	IE2	85,3	86,6	86,4	3,47	11,3	6,5	

The contents of this publication must not be regarded as binding. EBARA Pumps Europe S.p.A. reserves the right to effect any modification it deems necessary without prior notice.

# 3D SERIES

## CENTRIFUGAL PUMPS CLOSE COUPLED AND STANDARDIZED EN 733

NOISE DATA TABLES 3D4 SERIES

4 Poles

Model 3D4	P <sub>2</sub>		L <sub>PA</sub> - dB(A)*
	[HP]	[kW]	
3D4 32-125/0.25	0,33	0,25	<70
3D4 32-160/0.37R	0,5	0,37	
3D4 32-160/0.37	0,5	0,37	
3D4 32-200/0.55R	0,75	0,55	
3D4 32-200/0.55	0,75	0,55	
3D4 32-200/0.75	1	0,75	
3D4 40-125/0.37R	0,5	0,37	
3D4 40-125/0.37	0,5	0,37	
3D4 40-160/0.55R	0,75	0,55	
3D4 40-160/0.55	0,75	0,55	
3D4 40-200/1.1R	1,5	1,1	
3D4 40-200/1.1	1,5	1,1	
3D4 40-200/1.5	2	1,5	
3D4 50-125/0.55R	0,75	0,55	
3D4 50-125/0.55	0,75	0,55	
3D4 50-160/1.1R	1,5	1,1	
3D4 50-160/1.1	1,5	1,1	
3D4 50-200/1.5R	2	1,5	
3D4 50-200/1.5	2	1,5	
3D4 50-200/2.2	3	2,2	
3D4 65-125/0.55	0,75	0,55	
3D4 65-125/0.75	1	0,75	
3D4 65-125/1.1	1,5	1,1	
3D4 65-160/1.1	1,5	1,1	
3D4 65-160/1.5	2	1,5	
3D4 65-160/2.2	3	2,2	
3D4 65-200/2.20R	3	2,2	
3D4 65-200/2.2	3	2,2	
3D4 65-200/3	4	3	

\* Mean value of several measures at 1m distance around the pump.  
Tolerance ± 2.5 dB.

NOISE DATA TABLES 3DS4 - 3DP4 SERIES

4 Poles

Model		P <sub>2</sub>		L <sub>PA</sub> - dB(A)*
3DS4	3DP4	[HP]	[kW]	
3DS4 32-125/0.25	3DP4 32-125/0.25	0,33	0,25	<70
3DS4 32-160/0.37R	3DP4 32-160/0.37R	0,5	0,37	
3DS4 32-160/0.37	3DP4 32-160/0.37	0,5	0,37	
3DS4 32-200/0.55R	3DP4 32-200/0.55R	0,75	0,55	
3DS4 32-200/0.55	3DP4 32-200/0.55	0,75	0,55	
3DS4 32-200/0.75	3DP4 32-200/0.75	1	0,75	
3DS4 40-125/0.37R	3DP4 40-125/0.37R	0,5	0,37	
3DS4 40-125/0.37	3DP4 40-125/0.37	0,5	0,37	
3DS4 40-160/0.55R	3DP4 40-160/0.55R	0,75	0,55	
3DS4 40-160/0.55	3DP4 40-160/0.55	0,75	0,55	
3DS4 40-200/1.1R	3DP4 40-200/1.10R	1,5	1,1	
3DS4 40-200/1.1	3DP4 40-200/1.10	1,5	1,1	
3DS4 40-200/1.5	3DP4 40-200/1.50	2	1,5	
3DS4 50-125/0.55R	3DP4 50-125/0.55R	0,75	0,55	
3DS4 50-125/0.55	3DP4 50-125/0.55	0,75	0,55	
3DS4 50-160/1.1R	3DP4 50-160/1.10R	1,5	1,1	
3DS4 50-160/1.1	3DP4 50-160/1.10	1,5	1,1	
3DS4 50-200/1.5R	3DP4 50-200/1.50R	2	1,5	
3DS4 50-200/1.5	3DP4 50-200/1.50	2	1,5	
3DS4 50-200/2.2	3DP4 50-200/2.20	3	2,2	
3DS4 65-125/0.55	3DP4 65-125/0.55	0,75	0,55	
3DS4 65-125/0.75	3DP4 65-125/0.75	1	0,75	
3DS4 65-125/1.1	3DP4 65-125/1.10	1,5	1,1	
3DS4 65-160/1.1	3DP4 65-160/1.10	1,5	1,1	
3DS4 65-160/1.5	3DP4 65-160/1.50	2	1,5	
3DS4 65-160/2.2	3DP4 65-160/2.20	3	2,2	
3DS4 65-200/2.2R	3DP4 65-200/2.20R	3	2,2	
3DS4 65-200/2.2	3DP4 65-200/2.20	3	2,2	
3DS4 65-200/3	3DP4 65-200/3.00	4	3	

\* Mean value of several measures at 1m distance around the pump.  
Tolerance ± 2.5 dB.

### SPECIFIC PERFORMANCE

The specifications below qualify the curves shown in our catalogues and Data Book (see [www.ebaraeurope.com](http://www.ebaraeurope.com)). All the performance curves are calculated according to ISO 9906 Attachment A.

Tolerance according to ISO 9906 Attachment A. The curves refer to an effective speed of the 50 Hz asynchronous motors. The measurements are made with water temperature of 20°C and cinematic viscosity of  $\nu = 1 \text{ mm}^2/\text{s}$  (1 cSt). During the pump selection, consider to get a safety margin of at least 0.5 m. The continuous curves indicate the recommended working range. The dotted curve is only a guide.

In order to prevent the risk of overheating, the pumps must not be used at a flow rate below 10% of the maximum efficiency flow rate.

During selection of the pumps, there is a safety margin of at least 1 m.

Symbols:

- Q = Volume flow rate [ $\text{m}^3/\text{h}$ ]
- H = Total head [m]
- P<sup>1</sup> = Power absorbed by the electric line
- P<sup>2</sup> = Pump power input (shaft power)
- $\eta$  = Pump efficiency
- NPSH = Net positive suction head required by the pump
- MEI = Minimum Efficiency Index

The minimum efficiency index (MEI) is a measure of the quality of a pump size in respect to its mean efficiency. The minimum efficiency index is based on the hydraulic efficiency and on the head at the best efficiency point.

The efficiency of a pump with trimmed impeller is usually lower than that of a pump with the full impeller diameter. The trimming of the impeller will adapt the pump to a fixed duty point, leading to reduced energy consumption. The minimum efficiency index (MEI) is based on the full impeller diameter.

The operation of these water pumps with variable duty points may be more efficient and economic when controlled, for example, by the use of a variable speed drive that matches the pump duty to the system.



## DNV BUSINESS ASSURANCE

### MANAGEMENT SYSTEM CERTIFICATE

Certificato No. / Certificate No. **CERT-17819-2006-AQ-VEN-SINCERT**

Si attesta che / This is to certify that

**EBARA PUMPS EUROPE S.p.A.**

Sede e Stabilimento di Brendola: Via Pacinotti, 32 - 36040 Brendola (VI) - Italy  
 Stabilimento di Cles: Via Campo Sportivo, 30 - 38023 Cles (TN) - Italy  
 Filiale di Palermo: Via Don Luigi Sturzo, 181/183 - Z. I. - 90040 Carini (PA) - Italy  
 Filiale di Cagliari: Via del Fangario, 29 - 09122 Cagliari (CA) - Italy

è conforme ai requisiti della norma per i sistemi di gestione:  
 has been found to conform to the management system standard:

**UNI EN ISO 9001:2008 (ISO 9001:2008)**

Questa Certificazione è valida per il seguente campo applicativo:  
 This Certificate is valid for the following product or service ranges:

**Progettazione, produzione, vendita e commercializzazione di pompe e sistemi di pompaggio**  
 (Settore EA : 18 - 17)

*Design, manufacture, sales and trade of pumps and pumping systems*  
 (Sector EA : 18 - 17)

Data Prima Emissione/Initial Certification Date:

**2006-10-13**

Il Certificato è valido fino al:  
 This Certificate is valid until:

**2015-10-10**

L'audit è stato eseguito sotto la supervisione di/  
 The audit has been performed under the supervision of

**Michele Gaiba**  
 Lead Auditor



Luogo e Data/Place and Date:

**Agrate Brianza (MB), 2012-10-02**

Per l'Organismo di Certificazione:  
 For the Accredited Unit:



**Zeno Beltrami**  
 Management Representative

La validità del presente Certificato è subordinata al rispetto delle condizioni contenute nel Contratto di Certificazione.  
 Lack of fulfillment of conditions as set out in the Certification Agreement may render this Certificate invalid.

DEI TORINO VIA M. ITALIA 96 - CORNO D'ORZINUOVI C/LOM - PALAZZO SIBO - V.LE COLUMBO, 9 - 20146 AGRATE BRIANZA (MB) - ITALY - TEL. 039.619905 - WWW.DNVB.COM





## EBARA Pumps Europe network

### HEAD OFFICE

**EBARA Pumps Europe S.p.A.**  
Via Pacinotti, 32  
36040 Brendola (VI), Italy  
Phone +39 0444 706811 - Fax +39 0444 405811

*Italian Sales (for order only):*  
e-mail: ordini@ebaraeurope.com

*Export Sales (for order only):*  
e-mail: exportsales@ebaraeurope.com

*Technical Customer Service (TCS):*  
e-mail: technical\_customer\_service@ebaraeurope.com  
Phone +39 0444 706869/902/923

*Marketing & Marketing Communication:*  
e-mail: marketing@ebaraeurope.com

### ITALIAN SALES NETWORK

**NORTH-EAST Region:**  
*(Trentino Alto Adige, Veneto, Friuli Venezia Giulia, Emilia Romagna)*  
Regional Manager mobile: +39 335 6423308  
e-mail: nord@ebaraeurope.com  
Phone +39 0444 706811 - Fax +39 0444 405811

**NORTH-WEST Region:**  
*(Valle d'Aosta, Piemonte, Lombardia, Liguria)*  
Regional Manager mobile: +39 335 5327276  
e-mail: mrtgmi@ebaraeurope.com  
Phone +39 0444 706811 - Fax +39 0444 405975

**CENTRAL Region:**  
*(Toscana, Umbria, Marche, Lazio, Abruzzo, Molise)*  
Regional Manager mobile: +39 335 6423286  
e-mail: centro@ebaraeurope.com  
Phone +39 0444 706811 - Fax +39 0444 405811

**SOUTH Region:**  
*(Campania, Basilicata, Puglia, Calabria, Sicilia)*  
Regional Manager mobile: +39 335 6423316  
e-mail: sud@ebaraeurope.com  
Phone +39 0444 706811 - Fax +39 0444 405811

**INDUSTRIAL Division:**  
Manager mobile: +39 335 6423302  
e-mail: industry@ebaraeurope.com  
Phone +39 0444 706811 - Fax +39 0444 405811

**WASTEWATER Division:**  
Manager mobile: +39 335 6423290  
e-mail: ses@ebaraeurope.com  
Phone +39 0444 706811 - Fax +39 0444 405811

**CAGLIARI Branch:**  
Via del Fangario, 29  
09122 Cagliari  
Phone +39 070 274281 - Fax +39 0444 405960  
Branch Manager mobile: +39 335 6423320  
e-mail: mktgca@ebaraeurope.com

**PALERMO Branch:**  
Via Don L. Sturzo, 181/183  
Z.I. - 90044 Carini (PA)  
Phone +39 091 8668790 - Fax +39 0444 405980  
Branch Manager mobile: +39 335 6423316  
e-mail: mktgpa@ebaraeurope.com

### EXPORT NETWORK

**EBARA Pumps Europe S.p.A. UNITED KINGDOM**  
Unit 7 - Zodiac Business Park  
High Road - Cowley Uxbridge  
Middlesex - UB8 2GU, United Kingdom  
Phone +44 1895 439027 - Fax +44 1895 439028  
e-mail: mktguk@ebaraeurope.com

**EBARA ESPAÑA BOMBAS S.A.**  
C/Cormoranes 6 Y 8  
Poligono Ind. La Estación  
28320 Pinto (Madrid), Spain  
Phone +34 916.923.630 - Fax +34 916.910.818  
e-mail: marketing@ebara.es

**EBARA Pumps Europe S.p.A. FRANCE**  
555, Rue Juliette Recamier  
69970 Chaponnay, France  
Phone +33 4 72769482 - Fax +33 805101071  
e-mail: mktgfr@ebaraeurope.com

**EBARA Pumps Europe S.p.A. GERMANY**  
Ferdinand-Porsche-Ring 7  
63110 Rodgau-Jügesheim, Germany  
Phone +49 (0) 6106-660 99-0  
Fax +49 (0) 6106-660 99-45  
e-mail: mktgde@ebaraeurope.com

**EBARA POMPY POLSKA Sp. z o.o.**  
ul. Działkowa 115  
02-234 Warszawa, Poland  
Phone +48 22 3909920 - Fax +48 22 3909929  
e-mail: mktgpl@ebaraeurope.com

**EBARA Pumps Europe S.p.A. MIDDLE EAST**  
P.O. Box 54515  
Dubai Airport Free Zone  
Dubai, United Arab Emirates  
Phone +971 4 609 1040 - Fax +971 4 609 1038  
e-mail: mktgme@ebaraeurope.com

**EBARA Pumps Europe S.p.A. SAUDI ARABIA**  
Phone +966 11 810 4561  
Fax +966 11 810 4562

**EBARA Pumps Europe S.p.A INDIA LIAISON OFFICE**  
1503, Bhumiraj Costarica,  
Sector-18, Palm Beach Rd.  
Sanpada, Navi Mumbai  
Maharashtra, Pin: 400705 - India  
Phone +91 22 2781 2862  
Fax +91 22 2781 2865  
e-mail: mktgind@ebaraeurope.com

**EBARA Pumps Europe S.p.A. RUSSIA**  
Phone +7 985 7672672  
e-mail: mktgrus@ebaraeurope.com



### EBARA Pumps Europe S.p.A.

Via Pacinotti, 32  
36040 Brendola (Vicenza), Italy  
Phone +39 0444 706811 - Fax +39 0444 405811  
e-mail: marketing@ebaraeurope.com  
www.ebaraeurope.com



### EBARA Corporation

11-1, Haneda Asahi-cho, Ohta-ku,  
Tokyo 144-8510  
Japan  
Phone +81 3 6275 7598 - Fax +81 3 5736 3193  
www.ebara.com

