

FlowThru™ SERIES



FEATURES

- Patented Flow-Thru Technology for freshest water
- Available in Composite and Steel
- Patented CAD-2 diaphragm technology
- No stagnation
- Patented Watervane, total recirculation of the water
- Leak free air valve cap sealed with closed cell foam
- Comprehensive testing
- No maintenance

Global Water Solutions now guarantees the freshest water quality possible with the revolutionary Flow-Thru™ Series design, available in both composite and steel models. All Flow-Thru™ tanks feature GWS's exclusive patented Flow-Thru™ technology which assures that your system will provide the freshest water quality possible by simply eliminating stagnation!

The Flow-Thru™ connection diverts system water into, and more importantly out of the tank while the pump is running. This constant flushing action assures that the water in the tank remains as fresh as possible and eliminates the possibility of stagnant water during normal system operation.

Both our steel and composite Flow-Thru™ tanks incorporate our proven patented controlled action diaphragm (CAD-2). CAD-2's steel clench ring regulates movement and prevents the diaphragm from rubbing against the tank wall.

Flow-Thru™ is also the ideal solution for constant pressure water system installers seeking to store water without the risk of stagnation.

Flow-Thru™ tanks are quality tested at several stages on the production line to insure the structural integrity of every tank. Flow-Thru™ tanks represent the best value for the investment and are the best quality Flow-Thru™ vessels available today.

SPECIFICATIONS

FlowThru™ Series Models

BSP	NPT	Nominal Volume		Shipping (box) Volume		Shipping (box) Weight		Dimensions			
		liter	gal	m ³	ft ³	kg	lbs	A		B	
								cm	inches	cm	inches
Steel Models											
GFU-80LV	GFU-80LV	80	20	0.13	4.74	15.20	33.5	73.56	28.96	40.69	16.02
GFU-170LV	GFU-170LV	170	45	0.29	10.14	29.26	64.5	94.33	37.14	52.96	20.85
GFU-325LV	GFU-325LV	325	85	0.54	18.93	53.52	118.0	114.94	44.25	66.03	26.00
Composite Models											
CFB-60LV	CFN-15GV	60	15	0.13	4.44	8.60	19.0	65.00	25.60	42.13	16.59
CFB-80LV	CFN-20GV	80	20	0.16	5.53	10.90	24.0	86.51	34.06	42.13	16.59
CFB-150LV	CFN-40GV	150	40	0.32	11.45	15.90	35.0	77.44	30.49	61.77	24.32
CFB-200LV	CFN-50GV	200	50	0.34	11.95	20.20	44.5	109.91	43.27	54.56	21.48

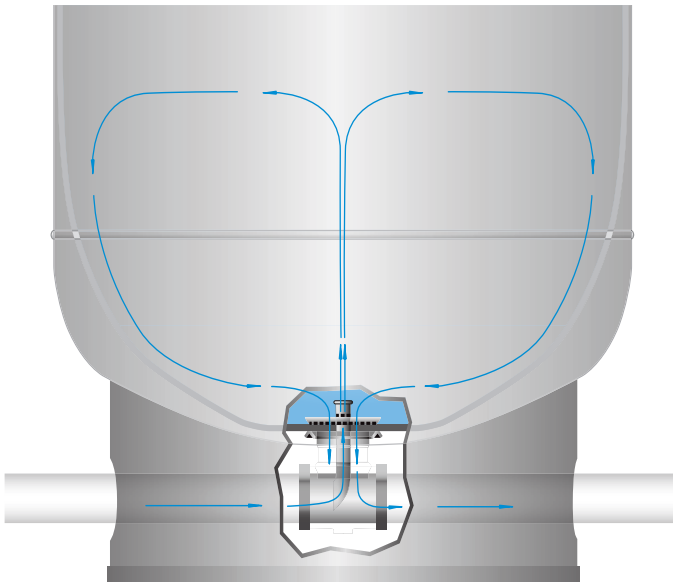
System Connection: 1 1/4" BSP / NPT

Max. Working Pressure 8.6 bar / 125 psi

Max. Working Temperature 90°C / 194°F (steel) ; 49°C / 120°F (composite)

Please refer to tank packaging for correct factory set pre-charge information.

Note: Minor dimensional variation may occur



Flow-Thru™ technology assures total recirculation of the tank's water content.

Patented watervane flushes water through the tank eliminating the possibility of stagnant water.

