

PM 1

Installation and operating instructions



English (GB) Installation and operating instructions

Original installation and operating instructions.

CONTENTS

	Page
1. Symbols used in this document	2
2. Applications	2
2.1 Liquids	2
2.2 Liquid temperature	2
2.3 Operating pressure	2
3. Installation	2
3.1 Location	3
4. Electrical connection	4
4.1 Connecting units with cable and plug fitted	4
4.2 Connecting units with no cable and plug fitted	4
4.3 Alternative power supply	4
5. Control panel	4
6. Start-up	5
7. Operation	5
7.1 Normal operation	5
7.2 Power supply failure	5
8. Functions	6
8.1 Anti-cycling	6
8.2 Dry-running protection	6
9. Frost protection	6
10. List of alarms	7
11. Technical data	7
12. Fault finding chart	8
13. Further product information	9
14. Disposal	9



Warning

Prior to installation, read these installation and operating instructions. Installation and operation must comply with local regulations and accepted codes of good practice.

1. Symbols used in this document



Warning

If these safety instructions are not observed, it may result in personal injury!



Caution

If these safety instructions are not observed, it may result in malfunction or damage to the equipment!



Note

Notes or instructions that make the job easier and ensure safe operation.

2. Applications

The Grundfos PM 1 is designed for automatic start/stop control of Grundfos pumps and other pumps for water supply.

Typical applications are water supply systems and rainwater systems in

- single-family houses
- blocks of flats
- summer houses and holiday cottages
- horticulture and gardening
- agriculture.

2.1 Liquids

Clean, thin, non-aggressive and non-explosive liquids without solid particles or fibres that may attack the unit mechanically or chemically.

Examples:

- drinking water
- rainwater.

2.2 Liquid temperature

0 °C - see nameplate.

2.3 Operating pressure

Max. 10 bar.

3. Installation

Install the unit on the discharge side of the pump. See fig. 2.

If pumping from a well, borehole or similar, always fit a non-return valve on the suction pipe of the pump.

It is recommended to connect the unit to the piping system using unions.

The outlet connection of the unit can be rotated 360°. See fig. 1.

The inlet connection is an integrated part of the unit housing.

The unit has a built-in non-return valve.

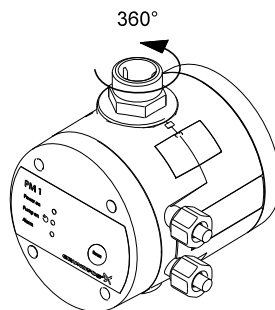


Fig. 1 Rotary outlet connection

3.1 Location

The installation location must be clean and well ventilated.

The PM 1 must be positioned so that it is protected from rain and direct sunlight.

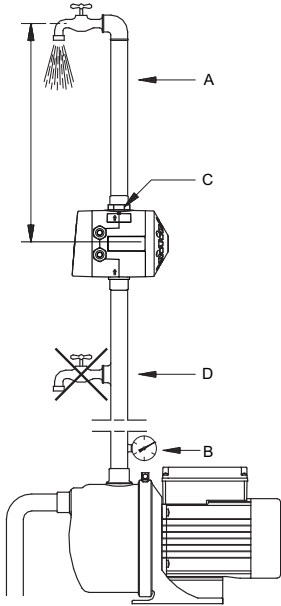


Fig. 2 Installation example

The unit can be fitted directly to the pump discharge port or between the pump and the first tapping point.

Pos. A in fig. 2:

It is recommended to install the unit so that the height between the unit and the highest tapping point does not exceed:

1.5 bar variant: 10 metres

2.2 bar variant: 17 metres.

Pos. B in fig. 2:

To achieve correct operation, the pump should at least be able to provide the following head:

1.5 bar variant: 24 metres

2.2 bar variant: 31 metres.

Pos. C in fig. 2:

The unit should be installed so that the control panel is visible and easily accessible. Ensure that the inlet and outlet are connected correctly.

Caution

To prevent water from entering the unit, do not install the unit so that the cable connections are pointing upwards. See fig. 3.

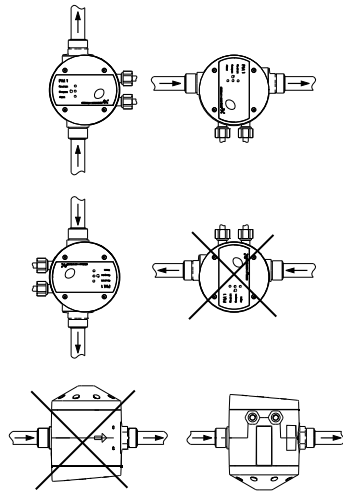


Fig. 3 Mounting positions

Pos. D in fig. 2:

No taps must be installed between the pump and the unit.

TM03 9364 4007

TM04 0335 1708

4. Electrical connection

Warning

The electrical connection must be carried out in accordance with local regulations and standards.

Before making any connections in the unit, make sure that the power supply has been switched off and that it cannot be accidentally switched on.



The unit must be connected to an external mains switch with a contact gap of at least 3 mm in all poles.

As a precaution, the unit must be connected to a socket with earth connection.

It is recommended to fit the permanent installation with an earth leakage circuit breaker (ELCB) with a tripping current < 30 mA.

4.1 Connecting units with cable and plug fitted

Connect the unit using the supplied cable.

4.2 Connecting units with no cable and plug fitted

1. Remove the control panel of the unit.
2. Carry out the electrical connection as shown in fig. 1 or 2, page 10, depending on motor type.
3. Fit the control panel securely with all four mounting screws so that enclosure class IP65 is maintained.

4.3 Alternative power supply

The PM 1 can be powered by a generator or other alternative power supplies, provided that the requirements for the power supply are fulfilled. See section 11. [Technical data](#).

5. Control panel

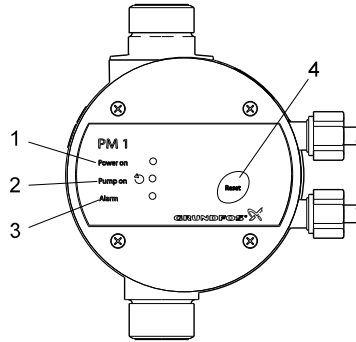


Fig. 4 Control panel

Pos.	Description	Function
1	"Power on"	The green indicator light is permanently on when the power supply has been switched on.
2	"Pump on"	The green indicator light is permanently on when the pump is running.
3	"Alarm"	The red indicator light is permanently on or flashes when the pump has stopped due to an operating fault. See section 12. Fault finding chart .
4	[Reset]	The button is used for <ul style="list-style-type: none"> • resetting fault indications • enabling and disabling of the anti-cycling function. See section 8.1 Anti-cycling .

TMO3 9360 1708

6. Start-up

1. Open a tap in the system.
2. Switch on the power supply.
3. Check that the "Power on", "Pump on" and "Alarm" indicator lights illuminate briefly.
 - The pump is running, and a pressure will be built up in the system.
4. Close the tap.
5. Check that the pump stops after a few seconds and that the "Pump on" indicator light goes out.

The system is now ready for operation.

If a pressure is not built up in the system within 5 minutes after start-up, the dry-running protection will be activated, and the pump is stopped. Check the priming conditions of the pump before attempting to restart the pump.

Note

Restart the pump by pressing [Reset].

If the pump restarts immediately after it has been stopped, the isolating valve used for checking for correct operation is positioned too close to the PM unit. A possible isolating valve installed immediately after the PM outlet must not be used for checking for correct operation. The problem will be that the pipe length between the PM unit and the isolating valve is too short, and therefore the expansion of the pipe is too small. The result is that the pressure will drop rapidly when the pump stops.

Note

7. Operation

7.1 Normal operation

When water is consumed in the water supply system, the PM 1 starts the pump when the starting conditions of the unit are fulfilled. This happens for example when a tap is opened which makes the pressure in the system drop. The unit stops the pump again when consumption stops, i.e. when the tap is closed.

7.1.1 Starting and stopping conditions

Starting conditions

The unit starts the pump when at least one of the following conditions is fulfilled:

- The flow is higher than $Q_{min.}$.
- The pressure is lower than p_{start} .

Stopping conditions

The unit stops the pump with a time delay of 10 seconds when the following conditions are both fulfilled:

- The flow is lower than $Q_{min.}$.
- The pressure is higher than p_{stop} .

The p_{start} , p_{stop} and $Q_{min.}$ values are shown in section [11. Technical data](#).

7.2 Power supply failure

In case of a power supply failure, the pump restarts automatically when power returns and runs for at least 10 seconds.

The setting of the anti-cycling function will not be affected by a power supply failure.

8. Functions

8.1 Anti-cycling

If there is a minor leakage in the system, or a tap has not been closed entirely, the unit will start and stop the pump periodically. In order to avoid cycling, the anti-cycling function of the unit will stop the pump and indicate an alarm.

Default setting: The function is enabled.

Enabling and disabling the function

1. Keep [Reset] pressed for 3 seconds until "Power on" starts flashing.
2. Select whether the function should be enabled or disabled. Each press on [Reset] will change between enabled and disabled. "Pump on" is off when the function is disabled. "Pump on" is on when the function is enabled.
3. Keep [Reset] pressed for 3 seconds to return to operation.

Resetting a cycling alarm

If a cycling alarm has been activated, the pump can be restarted by pressing [Reset].

Note

In case of a very small consumption, the anti-cycling function may detect this as cycling and stop the pump inadvertently. If this occurs, the function can be disabled.

8.2 Dry-running protection

The unit incorporates dry-running protection that automatically stops the pump in case of dry running. The dry-running protection functions differently during priming and operation.

Caution

If a dry-running alarm has been activated, the cause should be found before the pump is restarted in order to prevent damage to the pump.

8.2.1 Dry running during priming

If the unit detects no pressure and no flow within 5 minutes after it has been connected to a power supply and the pump has started, the dry-running alarm is activated.

8.2.2 Dry running during operation

If the unit detects no pressure and no flow within 40 seconds during normal operation, the dry-running alarm is activated.

8.2.3 Resetting of dry-running alarm

If a dry-running alarm has been activated, the pump can be restarted manually by pressing [Reset]. If the unit detects no pressure and no flow within 40 seconds after restarting, the dry-running alarm is re-activated.

9. Frost protection

If the unit is subjected to frost in periods of inactivity, the unit and the piping system should be drained before the unit is taken out of operation.

Note

The unit has no draining options, but mounting the unit in one of the positions shown in fig. 5 makes draining easier.

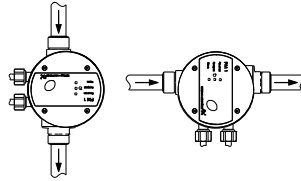


Fig. 5 Mounting positions making draining easier

10. List of alarms

Indication	Alarm	Cause
"Alarm" is permanently on.	Dry running.	The pump has been running without water.
"Alarm" is flashing.	Cycling.	The pump is cycling. Note: Occurs only if the anti-cycling function is enabled. See section 8.1 Anti-cycling .

11. Technical data

Data	230 V model	115 V model
Supply voltage	1 x 220-240 VAC	1 x 110-120 VAC
Maximum inductive contact load	10 A	14 A
Frequency	50/60 Hz	
Maximum ambient temperature	See nameplate.	
Liquid temperature	0 °C - see nameplate.	
p_{start} *)	PM 1 - 15	1.5 bar
	PM 1 - 22	2.2 bar
Q_{min}	1.0 litre/min.	
Time delay during stopping	10 seconds	
Maximum operating pressure	PN 10 / 10 bar / 1 MPa	
Enclosure class	IP65	
Dimensions	See fig. 3 , page 10	

*) The start pressure (p_{start}) depends on the variant. See the nameplate.

The technical data may be limited by the pump data. See installation and operating instructions for the pump.

12. Fault finding chart



Warning

Before starting work on the pump/PM unit, make sure that the power supply has been switched off and that it cannot be accidentally switched on.

Fault	Cause	Remedy
1. The green "Power on" indicator light is off.	a) The fuses in the electric installation have blown.	Replace the fuses. If the new fuses also blow, check the electric installation.
	b) The earth leakage circuit breaker or the voltage-operated circuit breaker has tripped.	Cut in the circuit breaker.
	c) No power supply.	Contact the power supply authorities.
	d) The PM unit is defective.	Repair or replace the PM unit.*
2. The green "Pump on" indicator light is on, but the pump does not start.	a) The power supply to the pump is disconnected after the PM unit.	Check the plug and cable connections, and check if the built-in circuit breaker of the pump is switched off.
	b) The motor protection of the pump has tripped due to overload.	Check if the motor/pump is blocked.
	c) The pump is defective.	Repair or replace the pump.
	d) The PM unit is defective.	Repair or replace the PM unit.*
3. The pump does not start when water is consumed. The "Pump on" indicator light is off.	a) Too big difference in height between the PM unit and the tapping point.	Adjust the installation, or select a PM unit with a higher start pressure.
	b) The PM unit is defective.	Repair or replace the PM unit.*
4. Frequent starts/stops.	a) Leakage in the pipework.	Check and repair the pipework.
	b) Leaky non-return valve.	Clean or replace the non-return valve.*
	c) A valve close to the PM 1 outlet has been closed.	Open the valve.
5. The pump does not stop.	a) The pump cannot deliver the necessary discharge pressure.	Replace the pump.
	b) A PM unit with too high start pressure is installed.	Select a PM unit with a lower start pressure.
	c) The PM unit is defective.	Repair or replace the PM unit.*
	d) The non-return valve is stuck in open position.	Clean or replace the non-return valve.*
6. The red "Alarm" indicator light is permanently on.	a) Dry running. The pump needs water.	Check the pipework.
	b) The power supply to the pump is disconnected after the PM unit.	Check the plug and cable connections, and check if the built-in circuit breaker of the pump is switched off.
	c) The motor protection of the pump has tripped due to overload.	Check if the motor/pump is blocked.
	d) The pump is defective.	Repair or replace the pump.
	e) The PM unit is defective.	Repair or replace the PM unit.*
7. The red "Alarm" indicator light is flashing.	a) Cycling. A tap has not been closed entirely after use.	Check that all taps have been closed.

* See service instructions on www.grundfos.com > International website > WebCAPS > Service.

13. Further product information

Further information and technical details for the Grundfos PM 1 can be found on www.grundfos.com > International website > WebCAPS.

If you have any questions, feel free to contact the nearest Grundfos company or service workshop.

14. Disposal

This product or parts of it must be disposed of in an environmentally sound way:

1. Use the public or private waste collection services.
2. If this is not possible, contact the nearest Grundfos company or service workshop.



The crossed-out wheellie bin symbol on a product means that it must be disposed of separately from household waste. When a product marked with this symbol reaches its end of life, take it to a collection point designated by the local

waste disposal authorities. The separate collection and recycling of such products will help protect the environment and human health.

Appendix

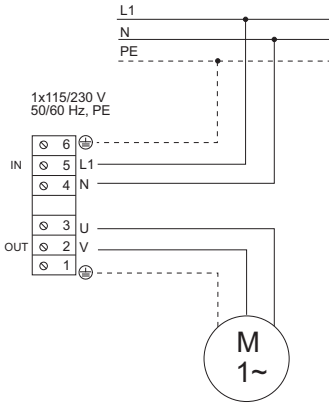


Fig. 1

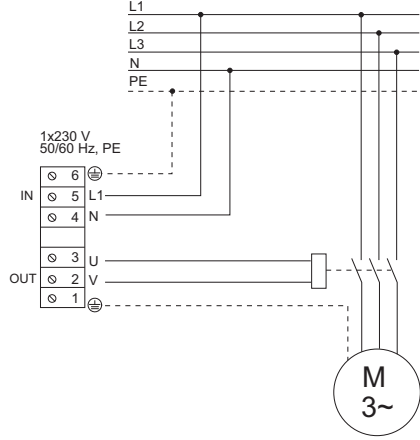


Fig. 2

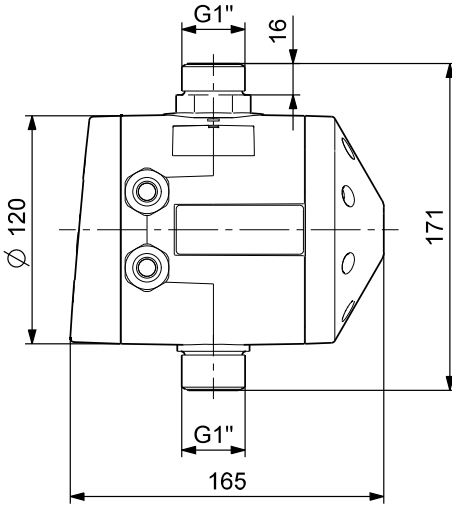
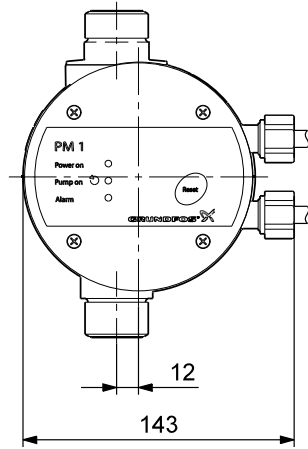


Fig. 3



TM03 9220 3707 - TM04 1953 1508

TM03 9366 1708

Declaration of conformity

GB: EU declaration of conformity

We, Grundfos, declare under our sole responsibility that the product PM1, to which the declaration below relates, is in conformity with the Council Directives listed below on the approximation of the laws of the EU member states.

DE: EU-Konformitätserklärung

Wir, Grundfos, erklären in alleiniger Verantwortung, dass das Produkt PM1, auf das sich diese Erklärung bezieht, mit den folgenden Richtlinien des Rates zur Angleichung der Rechtsvorschriften der EU-Mitgliedsstaaten übereinstimmt.

ES: Declaración de conformidad de la UE

Grundfos declara, bajo su exclusiva responsabilidad, que el producto PM1 al que hace referencia la siguiente declaración cumple lo establecido por las siguientes Directivas del Consejo sobre la aproximación de las legislaciones de los Estados miembros de la UE.

FR: Déclaration de conformité UE

Nous, Grundfos, déclarons sous notre seule responsabilité, que le produit PM1, auquel se réfère cette déclaration, est conforme aux Directives du Conseil concernant le rapprochement des législations des États membres UE relatives aux normes énoncées ci-dessous.

HU: EU megfeleléségi nyilatkozat

Mi, Grundfos vállalata, teljes felelősséggel kijelentjük, hogy a(z) PM1 termék, amelyre az alábbi nyilatkozat vonatkozik, megfelel az Európai Unió tagállamainak jogi irányelveit összehangoló tanács alábbi előírásainak.

NL: EU-conformiteitsverklaring

Wij, Grundfos, verklaren geheel onder eigen verantwoordelijkheid dat product PM1, waarop de onderstaande verklaring betrekking heeft, in overeenstemming is met de onderstaande Richtlijnen van de Raad inzake de onderlinge aanpassing van de wetgeving van de EU-lidstaten.

PT: Declaração de conformidade UE

A Grundfos declara sob sua única responsabilidade que o produto PM1, ao qual diz respeito a declaração abaixo, está em conformidade com as Directivas do Conselho sobre a aproximação das legislações dos Estados Membros da UE.

RU: Декларация о соответствии нормам ЕС

Мы, компания Grundfos, со всей ответственностью заявляем, что изделие PM1, к которому относится нижеприведённая декларация, соответствует нижеприведённым Директивам Совета Евросоюза о тождественности законов стран-членов ЕС.

SK: ES vyhlásenie o zhode

My, spoločnosť Grundfos, vyhlasujeme na svoju plnú zodpovednosť, že produkt PM1, na ktorý sa vyhlásenie uvedené nižšie vzťahuje, je v súlade s ustanoveniami nižšie uvedených smerníc Rady pre zblíženie právnych predpisov členských štátov EÚ.

CZ: Prohlášení o shodě EU

My firma Grundfos prohlašujeme na svou plnou odpovědnost, že výrobek PM1, na který se toto prohlášení vztahuje, je v souladu s níže uvedenými ustanoveními směrnice Rady pro sblížení právních předpisů členských států Evropského společenství.

DK: EU-øverensstemmelseserklæring

Vi, Grundfos, erklærer under ansvar at produktet PM1 som erklæringen nedenfor omhandler, er i overensstemmelse med Rådets direktiver der er nævnt nedenfor, om indbyrdes tilnærmelse til EU-medlemsstaternes lovgivning.

FI: EU-vaatimustenmukaisuusvakuutus

Grundfos vakuuttaa omalla vastuullaan, että tuote PM1, jota tämä vakuutus koskee, on EU:n jäsenvaltioiden lainsäädännön lähentämiseen tähtäävien Euroopan neuvoston direktiivien vaatimusten mukainen seuraavasti.

GR: Δήλωση συμμόρφωσης ΕΕ

Εμείς, η Grundfos, δηλώνουμε με αποκλειστικά δική μας ευθύνη ότι το προϊόν PM1, στο οποίο αναφέρεται η παρακάτω δήλωση, συμμορφώνεται με τις παρακάτω Οδηγίες του Συμβουλίου περί προσέγγισης των νομοθεσιών των κρατών μελών της ΕΕ.

IT: Dichiarazione di conformità UE

Grundfos dichiara sotto la sua esclusiva responsabilità che il prodotto PM1, al quale si riferisce questa dichiarazione, è conforme alle seguenti direttive del Consiglio riguardanti il riavvicinamento delle legislazioni degli Stati membri UE.

PL: Deklaracja zgodności UE

My, Grundfos, oświadczamy z pełną odpowiedzialnością, że nasz produkt PM1, którego deklaracja niniejsza dotyczy, jest zgodny z następującymi dyrektywami Rady w sprawie zbliżenia przepisów prawnych państw członkowskich.

RO: Declarația de conformitate UE

Noi Grundfos declarăm pe propria răspundere că produsul PM1, la care se referă această declarație, este în conformitate cu Directivele de Consiliu specificate mai jos privind armonizarea legilor statelor membre UE.

SE: EU-försäkran om överensstämmelse

Vi, Grundfos, försäkrar under ansvar att produkten PM1, som omfattas av nedanstående försäkran, är i överensstämmelse med de rättsdirektiv om inbördes närmande till EU-medlemsstaternas lagstiftning som listas nedan.

TR: AB uygunluk bildirgesi

Grundfos olarak, aşağıdaki bildirim konusu olan PM1 ürünlerinin, AB üye ülkelerinin direktiflerinin yakınlaştırılmasıyla ilgili durumun aşağıdaki Konsey Direktifiyle uyumlu olduğunu ve bununla ilgili olarak tüm sorumluğunuz bize ait olduğunu beyan ederiz.

– Low Voltage Directive (2014/35/EU).

Standards used:
EN 60730-1:2016
EN 60730-2-6:2016

– Applies from July 22, 2019
RoHS Directives (2011/65/EU and 2015/863/EU)
Standard used: EN 50581:2012

This EU declaration of conformity is only valid when published as part of the Grundfos installation and operating instructions (publication number 96782820).

Bjerringbro, 7th May 2018



Andreas Back-Pedersen
Senior Manager
Grundfos Holding A/S
Poul Due Jensens Vej 7
8850 Bjerringbro, Denmark

Person authorised to compile the technical file and empowered to sign the EU declaration of conformity.

Argentina

Bombas GRUNDFOS de Argentina S.A.
Ruta Panamericana km. 37.500 Centro
Industrial Garin
1619 Garin Pcia. de B.A.
Phone: +54-3327 414 444
Telefax: +54-3327 45 3190

Australia

GRUNDFOS Pumps Pty. Ltd.
P.O. Box 2040
Regency Park
South Australia 5942
Phone: +61-8-8461-4611
Telefax: +61-8-8340 0155

Austria

GRUNDFOS Pumpen Vertrieb
Ges.m.b.H.
Grundfosstraße 2
A-5082 Grödig/Salzburg
Tel.: +43-6246-883-0
Telefax: +43-6246-883-30

Belgium

N.V. GRUNDFOS Bellux S.A.
Boomsesteenweg 81-83
B-2630 Aartselaar
Tél.: +32-3-870 7300
Télécopie: +32-3-870 7301

Belarus

Представительство ГРУНДФОС в
Минске
220125, Минск
ул. Шафарнянская, 11, оф. 56, БЦ
«Порт»
Тел.: +7 (375 17) 286 39 72/73
Факс: +7 (375 17) 286 39 71
E-mail: minsk@grundfos.com

Bosnia and Herzegovina

GRUNDFOS Sarajevo
Zmaj od Bosne 7-7A,
BH-71000 Sarajevo
Phone: +387 33 592 480
Telefax: +387 33 590 465
www.ba.grundfos.com
e-mail: grundfos@bih.net.ba

Brazil

BOMBAS GRUNDFOS DO BRASIL
Av. Humberto de Alencar Castelo
Branco, 630
CEP 09850 - 300
São Bernardo do Campo - SP
Phone: +55-11 4393 5533
Telefax: +55-11 4343 5015

Bulgaria

Grundfos Bulgaria EOOD
Slatina District
Iztochna Tangenta street no. 100
BG - 1592 Sofia
Tel. +359 2 49 22 200
Fax. +359 2 49 22 201
email: bulgaria@grundfos.bg

Canada

GRUNDFOS Canada Inc.
2941 Brighton Road
Oakville, Ontario
L6H 6C9
Phone: +1-905 829 9533
Telefax: +1-905 829 9512

China

GRUNDFOS Pumps (Shanghai) Co. Ltd.
10F The Hub, No. 33 Suhong Road
Minhang District
Shanghai 201106
PRC
Phone: +86 21 612 252 22
Telefax: +86 21 612 253 33

COLOMBIA

GRUNDFOS Colombia S.A.S.
Km 1.5 vía Siberia-Cota Conj. Potrero
Chico,
Parque Empresarial Arcos de Cota Bod.
1A.
Cota, Cundinamarca
Phone: +57(1)-2913444
Telefax: +57(1)-8764586

Croatia

GRUNDFOS CROATIA d.o.o.
Buzinski prilaz 38, Buzin
HR-10010 Zagreb
Phone: +385 1 6595 400
Telefax: +385 1 6595 499
www.hr.grundfos.com

GRUNDFOS Sales Czechia and Slovakia s.r.o.

Čajkovského 21
779 00 Olomouc
Phone: +420-585-716 111

Denmark

GRUNDFOS DK A/S
Martin Bachs Vej 3
DK-8850 Bjerringbro
Tlf.: +45-87 50 50 50
Telefax: +45-87 50 51 51
E-mail: info_GDK@grundfos.com
www.grundfos.com/DK

Estonia

GRUNDFOS Pumps Eesti OÜ
Peterburi tee 92G
11415 Tallinn
Tel: + 372 606 1690
Fax: + 372 606 1691

Finland

OY GRUNDFOS Pumput AB
Trukkikuja 1
FI-01360 Vantaa
Phone: +358-(0) 207 889 500

France

Pompes GRUNDFOS Distribution S.A.
Parc d'Activités de Chesnes
57, rue de Malacombe
F-38290 St. Quentin Fallavier (Lyon)
Tél.: +33-4 74 82 15 15
Télécopie: +33-4 74 94 10 51

Germany

GRUNDFOS GMBH
Schlüterstr. 33
40699 Erkrath
Tel.: +49-(0) 211 929 69-0
Telefax: +49-(0) 211 929 69-3799
e-mail: infoservice@grundfos.de
Service in Deutschland:
e-mail: kundendienst@grundfos.de

Greece

GRUNDFOS Hellas A.E.B.E.
20th km. Athinon-Markopoulou Av.
P.O. Box 71
GR-19002 Peania
Phone: +0030-210-66 83 400
Telefax: +0030-210-66 46 273

Hong Kong

GRUNDFOS Pumps (Hong Kong) Ltd.
Unit 1, Ground floor
Siu Wai Industrial Centre
29-33 Wing Hong Street &
68 King Lam Street, Cheung Sha Wan
Kowloon
Phone: +852-27861706 / 27861741
Telefax: +852-27858664

Hungary

GRUNDFOS Hungária Kft.
Tópark u. 8
H-2045 Törökbálint,
Phone: +36-23 511 110
Telefax: +36-23 511 111

India

GRUNDFOS Pumps India Private
Limited
118 Old Mahabalipuram Road
Thoraiakkam
Chennai 600 096
Phone: +91-44 2496 6800

Indonesia

PT. GRUNDFOS POMPA
Graha Intirub Lt. 2 & 3
Jln. Cililitan Besar No.454. Makasar,
Jakarta Timur
ID-Jakarta 13650
Phone: +62 21-469-51900
Telefax: +62 21-460 6910 / 460 6901

Ireland

GRUNDFOS (Ireland) Ltd.
Unit A, Merrywell Business Park
Ballymount Road Lower
Dublin 12
Phone: +353-1-4089 800
Telefax: +353-1-4089 830

Italy

GRUNDFOS Pompe Italia S.r.l.
Via Gran Sasso 4
I-20060 Truccazzano (Milano)
Tel.: +39-02-95838112
Telefax: +39-02-95309290 / 95838461

Japan

GRUNDFOS Pumps K.K.
1-2-3, Shin-Miyakoda, Kita-ku,
Hamamatsu
431-2103 Japan
Phone: +81 53 428 4760
Telefax: +81 53 428 5005

Korea

GRUNDFOS Pumps Korea Ltd.
679 Floor, Aju Building 679-5
Yeoksam-dong, Kangnam-ku, 135-916
Seoul, Korea
Phone: +82-2-5317 600
Telefax: +82-2-5633 725

Latvia

SIA GRUNDFOS Pumps Latvia
Deglava biznesa centrs
Augusta Deglava iela 60, LV-1035, Rīga,
Tālr.: + 371 714 9640, 7 149 641
Faks: + 371 914 9646

Lithuania

GRUNDFOS Pumps UAB
Smolensko g. 6
LT-03201 Vilnius
Tel: + 370 52 395 430
Fax: + 370 52 395 431

Malaysia

GRUNDFOS Pumps Sdn. Bhd.
7 Jalan Peguam U1/25
Glenmarie Industrial Park
40150 Shah Alam
Selangor
Phone: +60-3-5569 2922
Telefax: +60-3-5569 2866

Mexico

Bombas GRUNDFOS de México S.A. de
C.V.
Boulevard TLC No. 15
Parque Industrial Stiva Aeropuerto
Apodaca, N.L. 66600
Phone: +52-81-8144 4000
Telefax: +52-81-8144 4010

Netherlands

GRUNDFOS Netherlands
Veluwezoom 35
1326 AE Almere
Postbus 22015
1302 CA ALMERE
Tel.: +31-88-478 6336
Telefax: +31-88-478 6332
E-mail: info_gnl@grundfos.com

New Zealand

GRUNDFOS Pumps NZ Ltd.
17 Beatrice Tinsley Crescent
North Harbour Industrial Estate
Auckland
Phone: +64-9-415 3240
Telefax: +64-9-415 3250

Norway

GRUNDFOS Pumper A/S
Strømsveien 344
Postboks 235, Leirdal
N-1011 Oslo
Tlf.: +47-22 90 47 00
Telefax: +47-22 32 21 50

Poland

GRUNDFOS Pompy Sp. z o.o.
ul. Klonowa 23
Baranowo k. Poznania
PL-62-081 Przeźmierowo
Tel: (+48-61) 650 13 00
Fax: (+48-61) 650 13 50

Portugal

Bombas GRUNDFOS Portugal, S.A.
Rua Calvet de Magalhães, 241
Apartado 1079
P-2770-153 Paço de Arcos
Tel.: +351-21-440 76 00
Telefax: +351-21-440 76 90

Romania

GRUNDFOS Pompe România SRL
Bd. Biruintei, nr 103
Pantelimon county Ilfov
Phone: +40 21 200 4100
Telefax: +40 21 200 4101
E-mail: romania@grundfos.ro

Russia

ООО Грундфос Россия
ул. Школьная, 39-41
Москва, RU-109544, Russia
Тел. (+7) 495 564-88-00 (495) 737-30-00
Факс (+7) 495 564 8811
E-mail grundfos.moscow@grundfos.com

Serbia

Grundfos Srbija d.o.o.
Omladinskih brigada 90b
11070 Novi Beograd
Phone: +381 11 2258 740
Telefax: +381 11 2281 769
www.rs.grundfos.com

Singapore

GRUNDFOS (Singapore) Pte. Ltd.
25 Jalan Tukang
Singapore 619264
Phone: +65-6681 9688
Telefax: +65-6681 9689

Slovakia

GRUNDFOS s.r.o.
Prievozská 4D
821 09 BRATISLAVA
Phona: +421 2 5020 1426
sk.grundfos.com

Slovenia

GRUNDFOS LJUBLJANA, d.o.o.
Leskovoška 9e, 1122 Ljubljana
Phone: +386 (0) 1 568 06 10
Telefax: +386 (0) 1 568 06 19
E-mail: tehnika-si@grundfos.com

South Africa

Grundfos (PTY) Ltd.
16 Lascelles Drive, Meadowbrook Estate
1609 Germiston, Johannesburg
Tel.: (+27) 10 248 6000
Fax: (+27) 10 248 6002
E-mail: lgradidge@grundfos.com

Spain

Bombas GRUNDFOS España S.A.
Camino de la Fuentesilla, s/n
E-28110 Algete (Madrid)
Tel.: +34-91-848 8800
Telefax: +34-91-628 0465

Sweden

GRUNDFOS AB
Box 333 (Lunnagårdsgatan 6)
431 24 Mölndal
Tel.: +46 31 332 23 000
Telefax: +46 31 331 94 60

Switzerland

GRUNDFOS Pumpen AG
Bruggacherstrasse 10
CH-8117 Fällanden/ZH
Tel.: +41-44-806 8111
Telefax: +41-44-806 8115

Taiwan

GRUNDFOS Pumps (Taiwan) Ltd.
7 Floor, 219 Min-Chuan Road
Taichung, Taiwan, R.O.C.
Phone: +886-4-2305 0868
Telefax: +886-4-2305 0878

Thailand

GRUNDFOS (Thailand) Ltd.
92 Chaloein Phrakiat Rama 9 Road,
Dokmai, Pravej, Bangkok 10250
Phone: +66-2-725 8999
Telefax: +66-2-725 8998

Turkey

GRUNDFOS POMPA San. ve Tic. Ltd.
Sti.
Gebze Organize Sanayi Bölgesi
İhsan dede Caddesi,
2. yol 200. Sokak No. 204
41490 Gebze/ Kocaeli
Phone: +90 - 262-679 7979
Telefax: +90 - 262-679 7905
E-mail: satis@grundfos.com

Ukraine

Бізнес Центр Європа
Столичне шосе, 103
м. Київ, 03131, Україна
Телефон: (+38 044) 237 04 00
Факс.: (+38 044) 237 04 01
E-mail: ukraine@grundfos.com

United Arab Emirates

GRUNDFOS Gulf Distribution
P.O. Box 16768
Jebel Ali Free Zone
Dubai
Phone: +971 4 8815 166
Telefax: +971 4 8815 136

United Kingdom

GRUNDFOS Pumps Ltd.
Grovebury Road
Leighton Buzzard/Beds. LU7 4TL
Phone: +44-1525-850000
Telefax: +44-1525-850011

U.S.A.

GRUNDFOS Pumps Corporation
9300 Loiret Blvd.
Lenexa, Kansas 66219
Phone: +1-913-227-3400
Telefax: +1-913-227-3500

Uzbekistan

Grundfos Tashkent, Uzbekistan The
Representative Office of Grundfos
Kazakhstan in Uzbekistan
38a, Oybek street, Tashkent
Телефон: (+998) 71 150 3290 / 71 150 3291
Факс: (+998) 71 150 3292

Addresses Revised 15.01.2019

96782820 0319

ECM: 1255360

Trademarks displayed in this material, including but not limited to Grundfos, the Grundfos logo and "be think innovate" are registered trademarks owned by The Grundfos Group. All rights reserved. © 2019 Grundfos Holding A/S, all rights reserved.