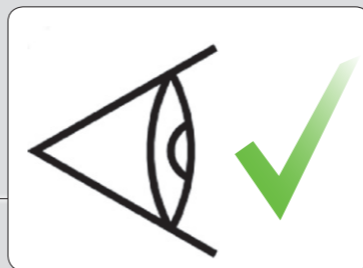


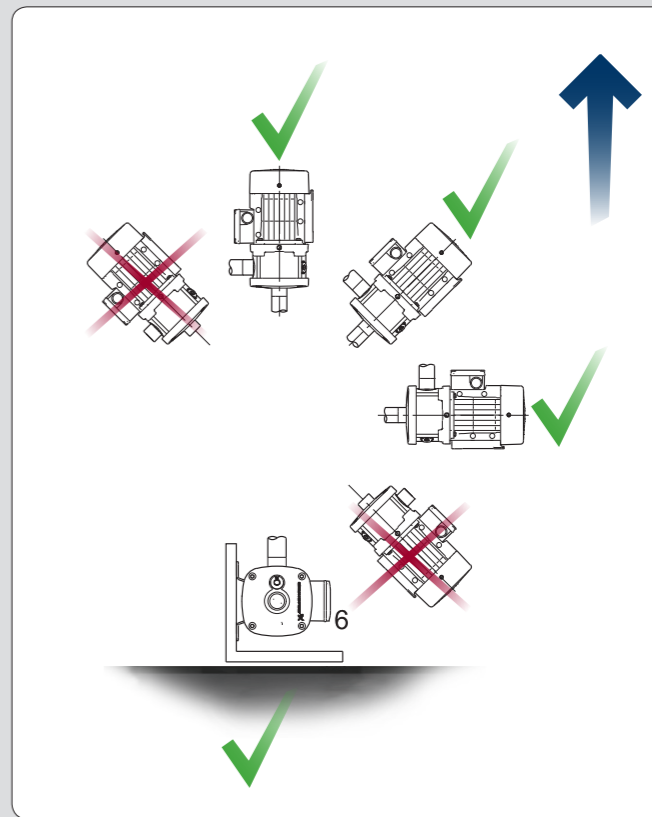
CM



1

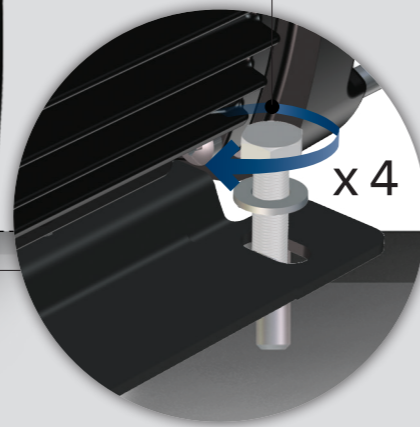
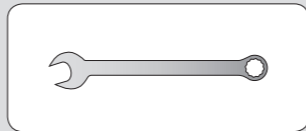
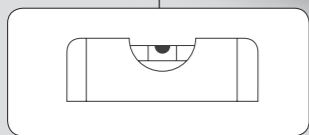
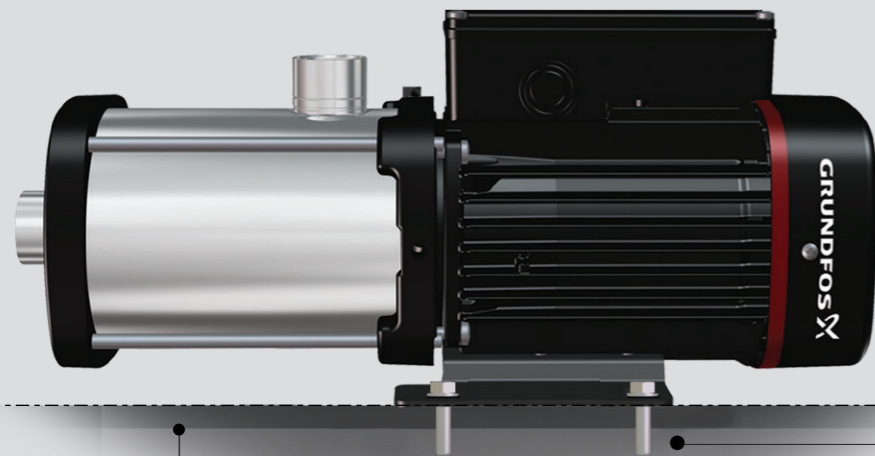


i

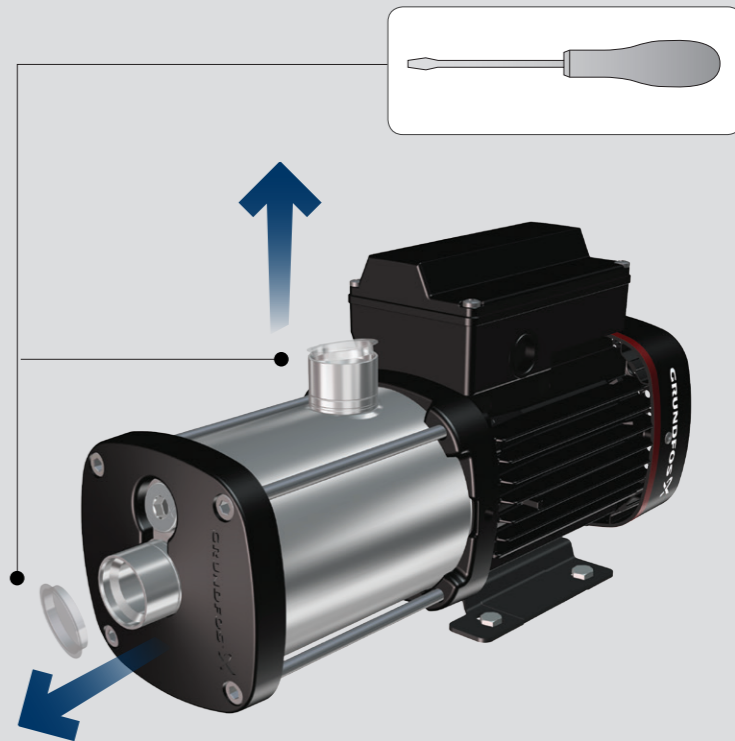
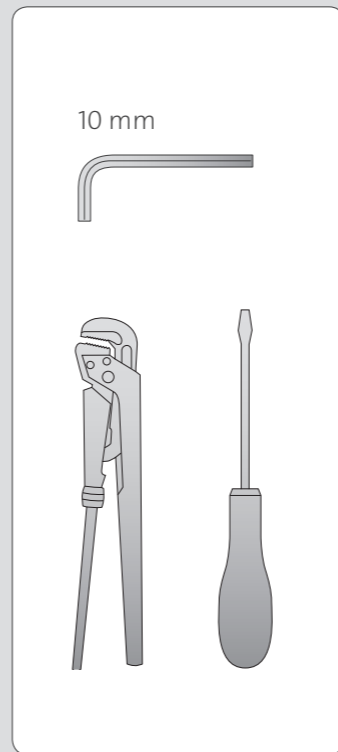


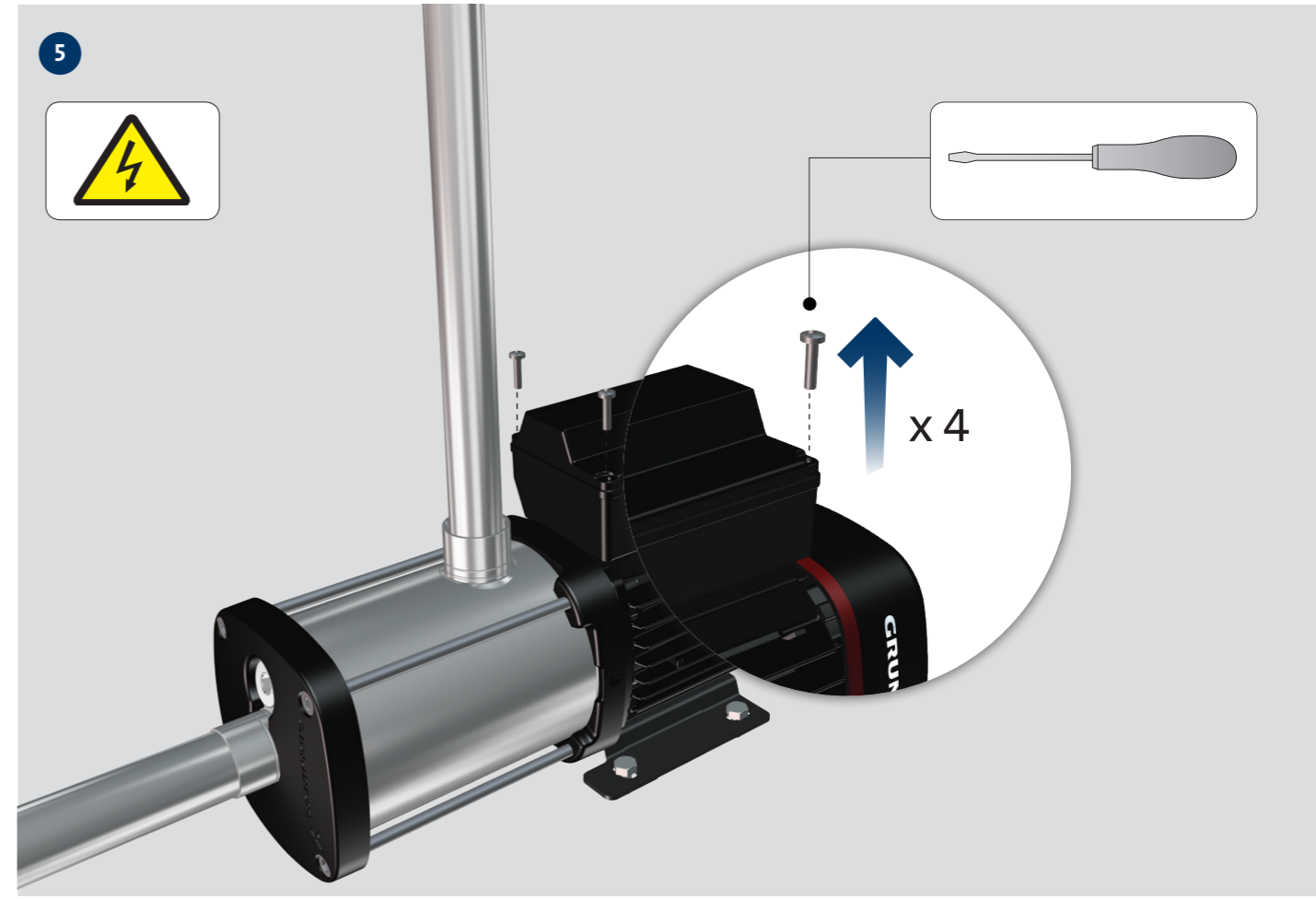
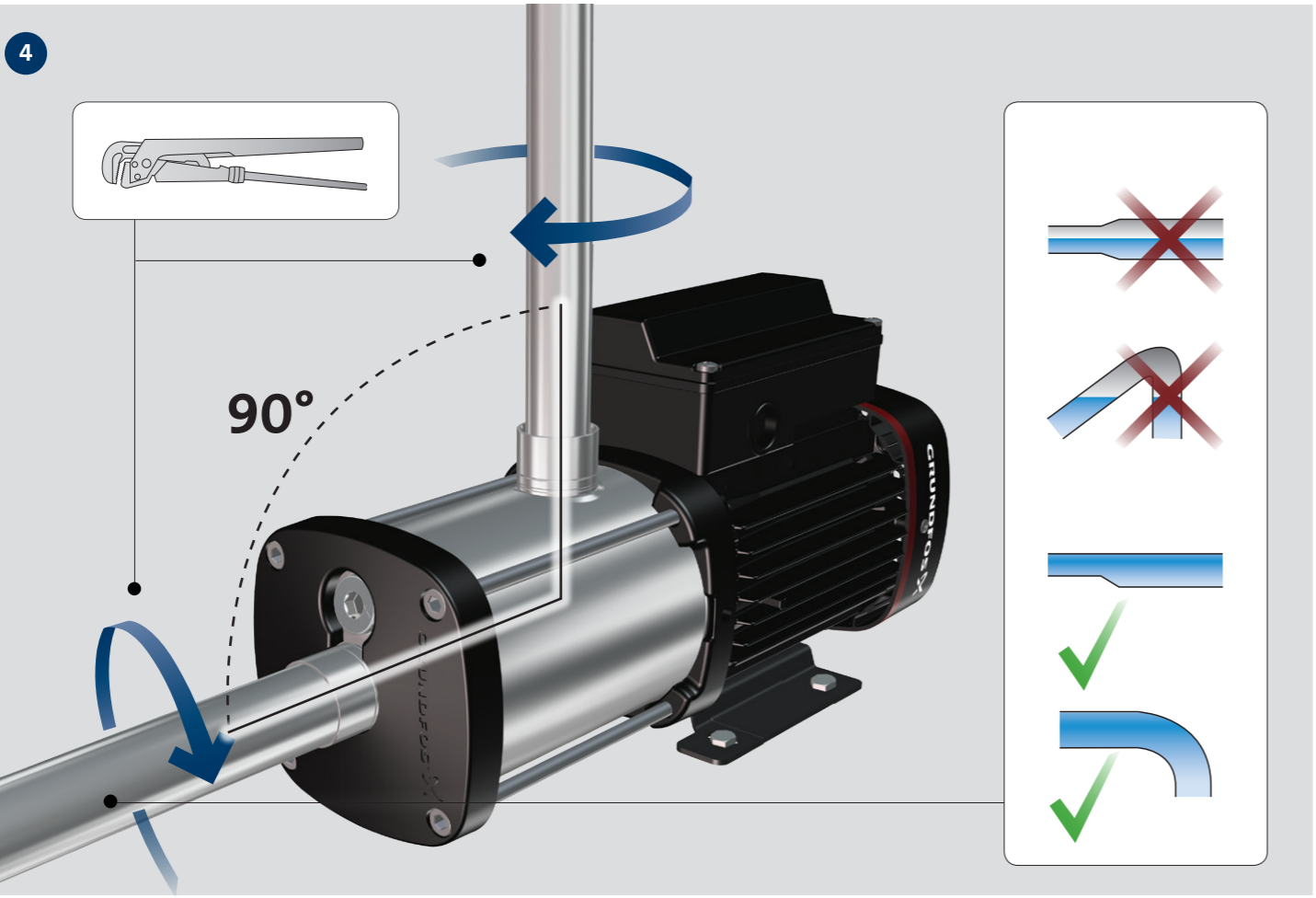


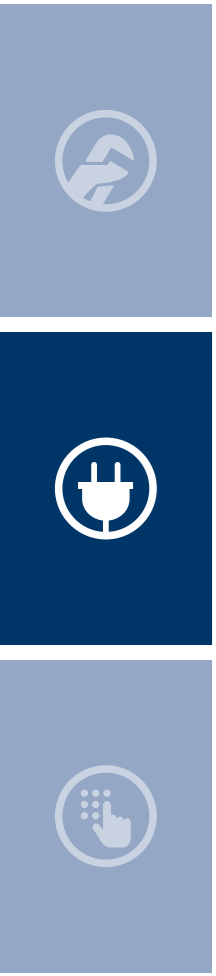
2



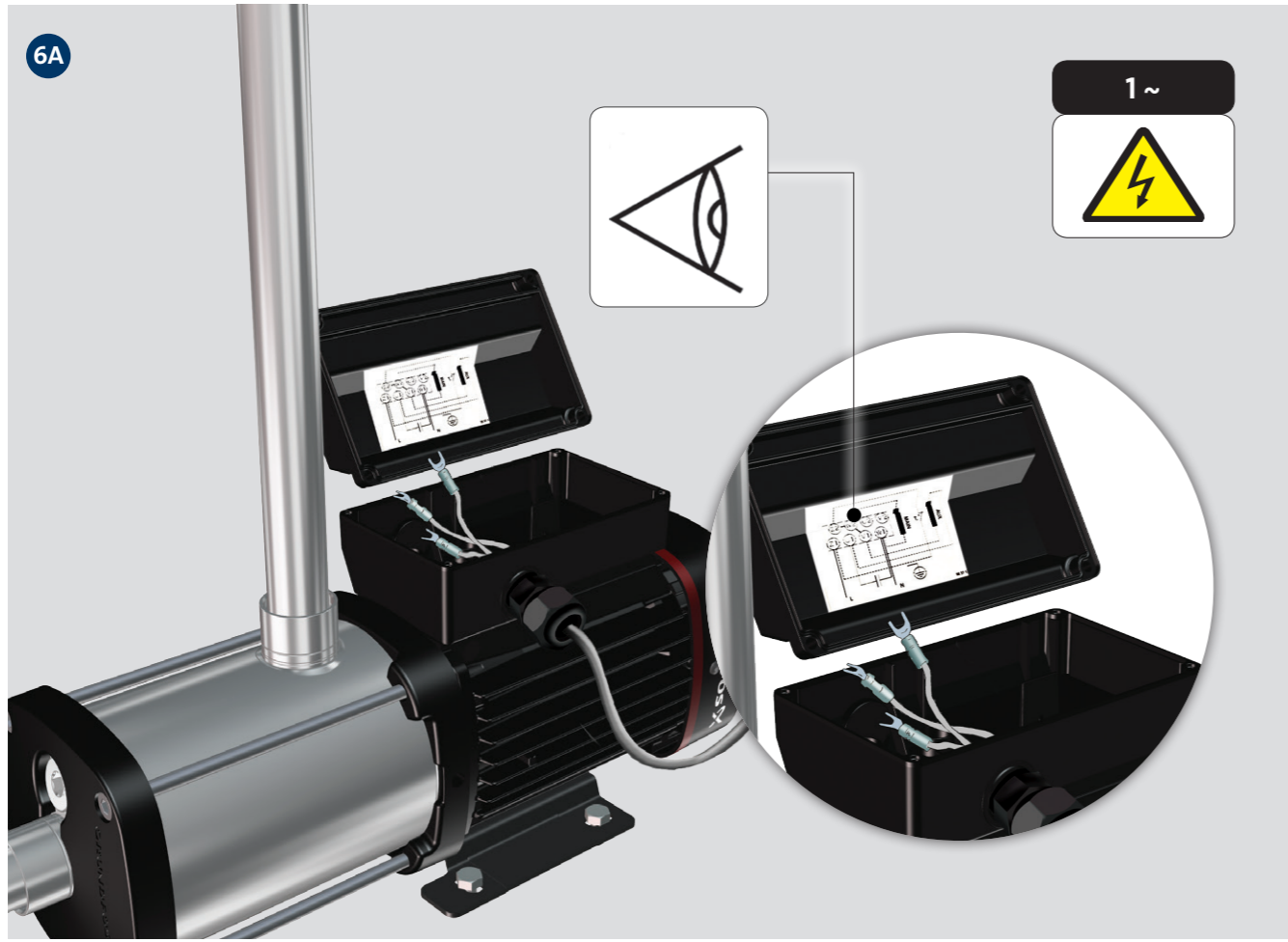
3



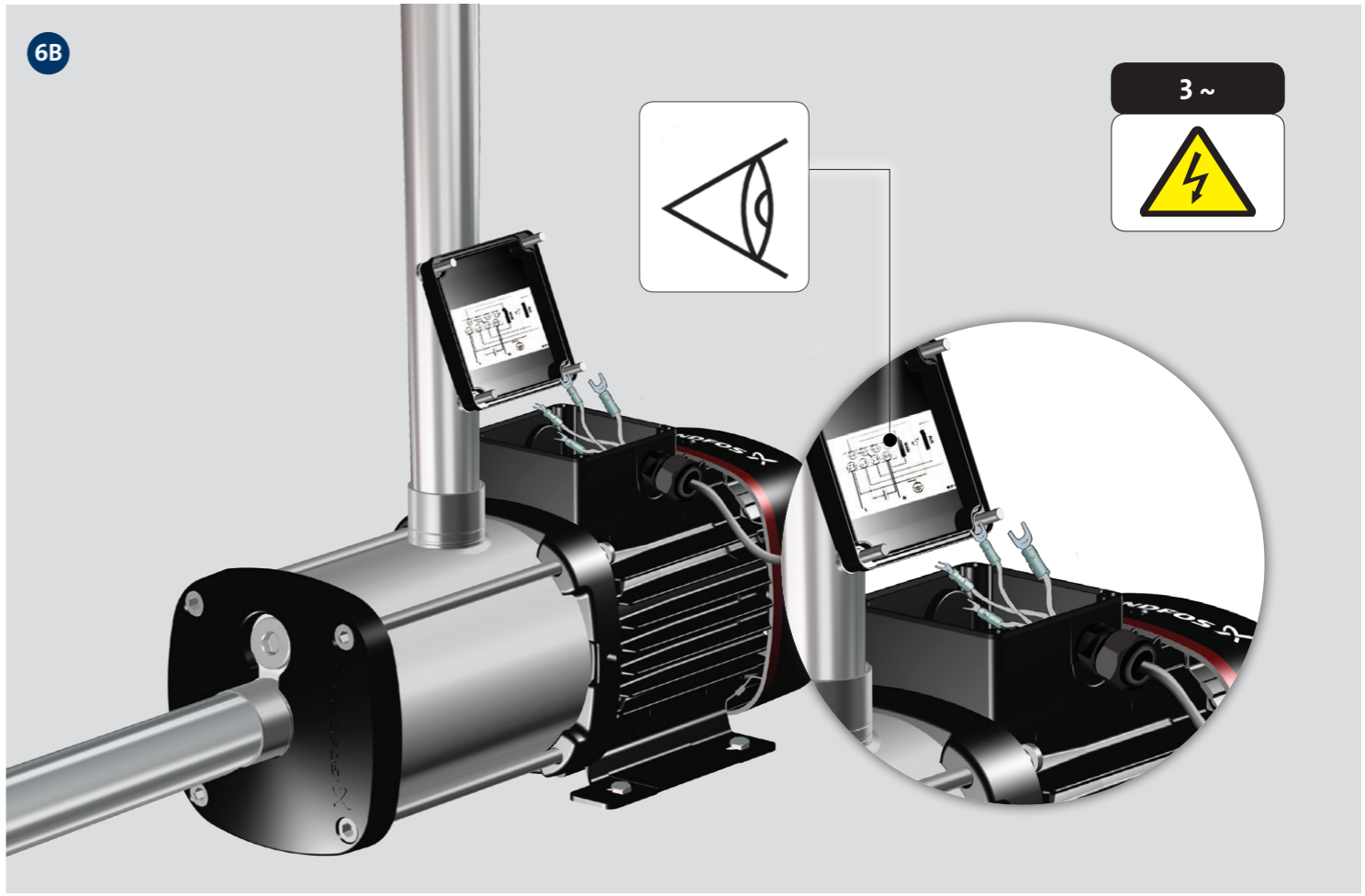


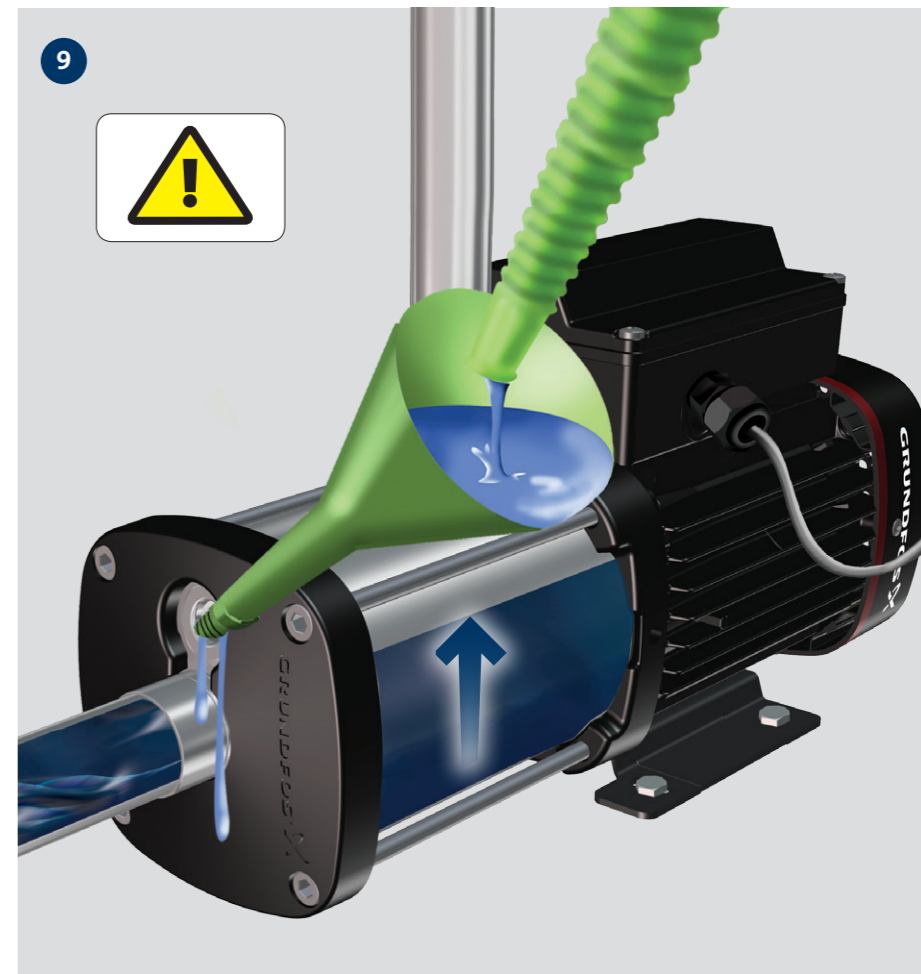
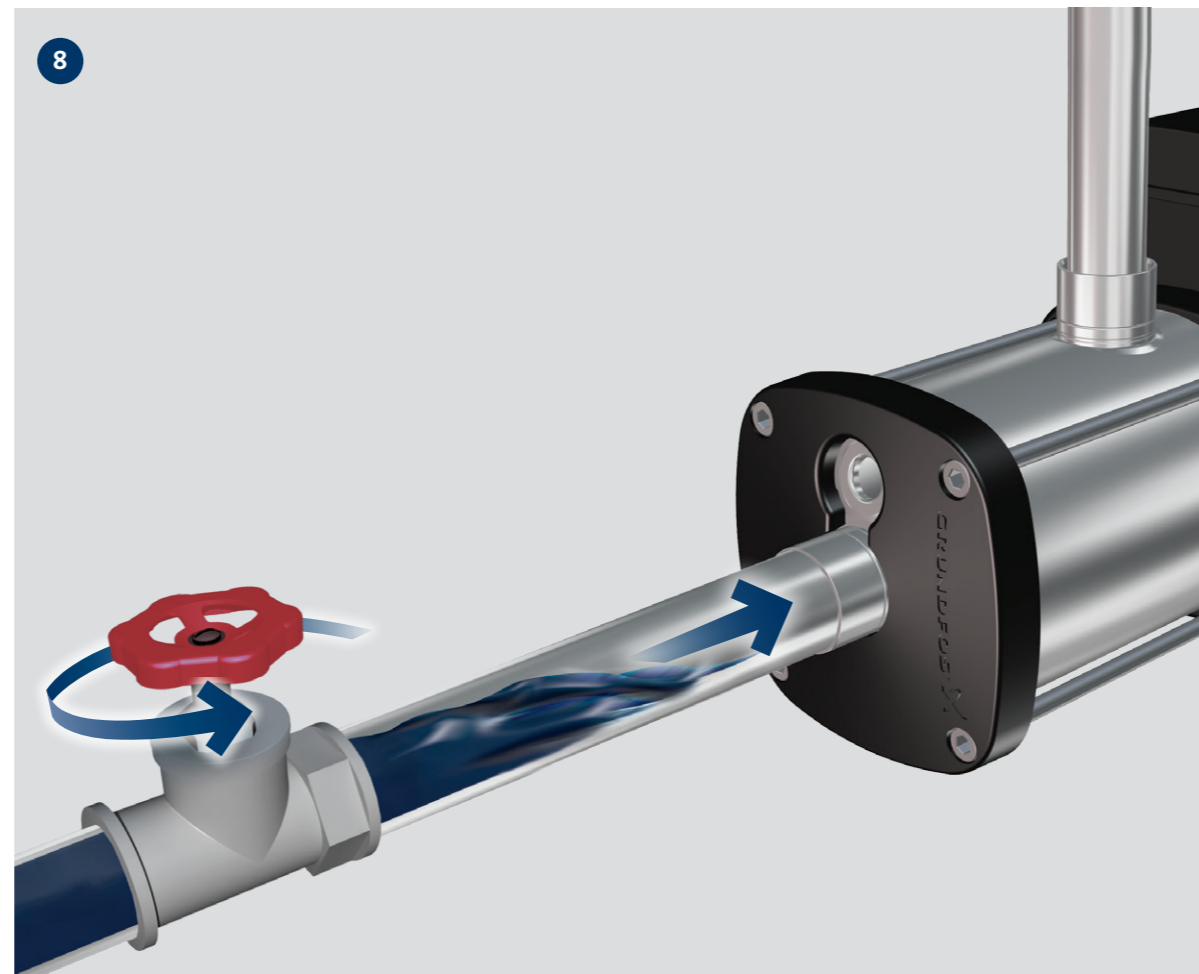
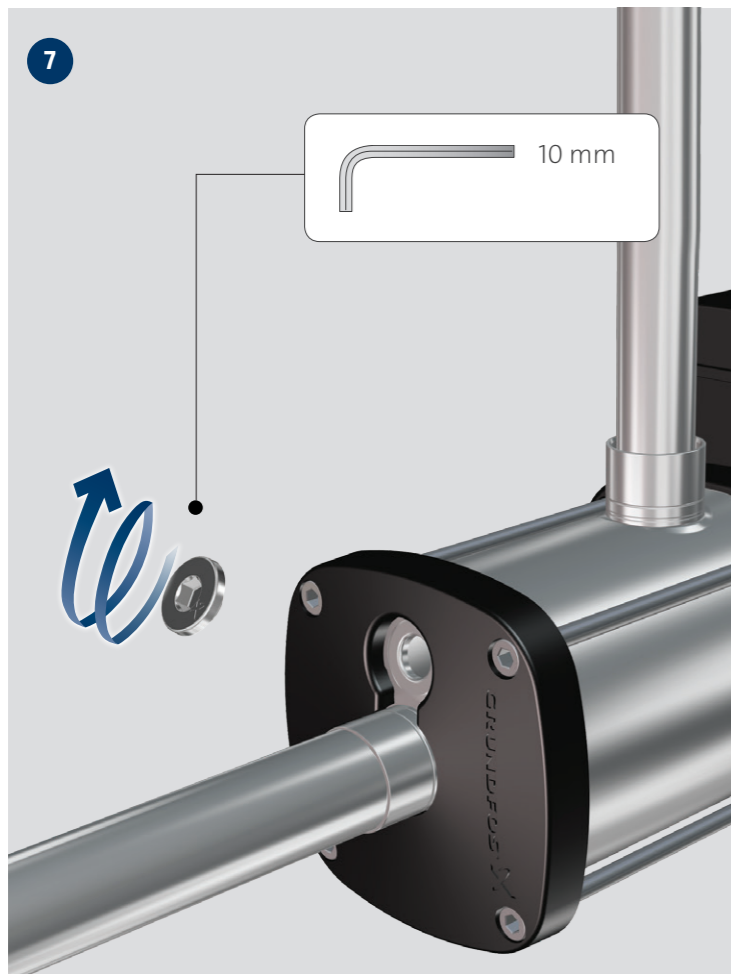


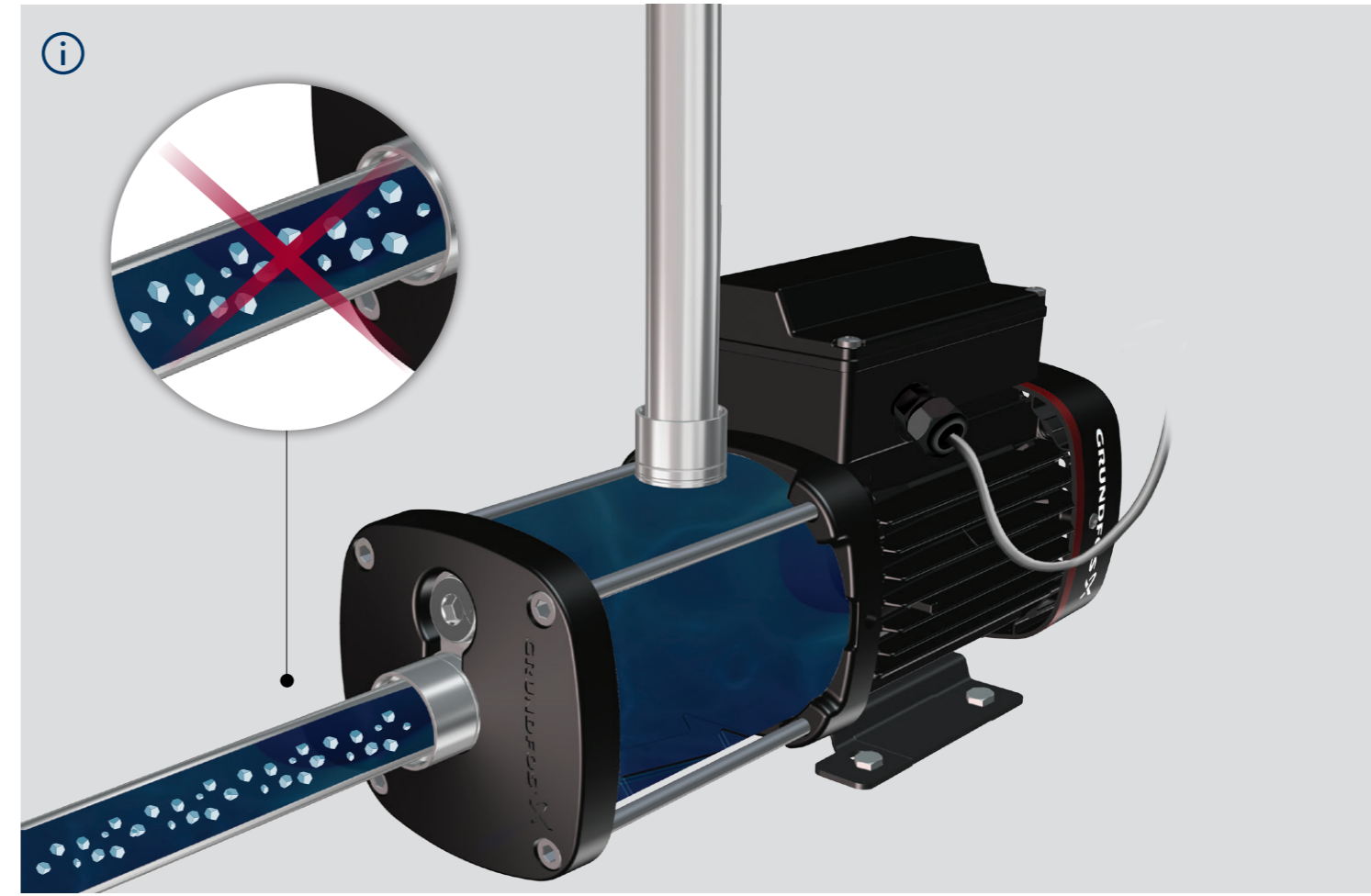
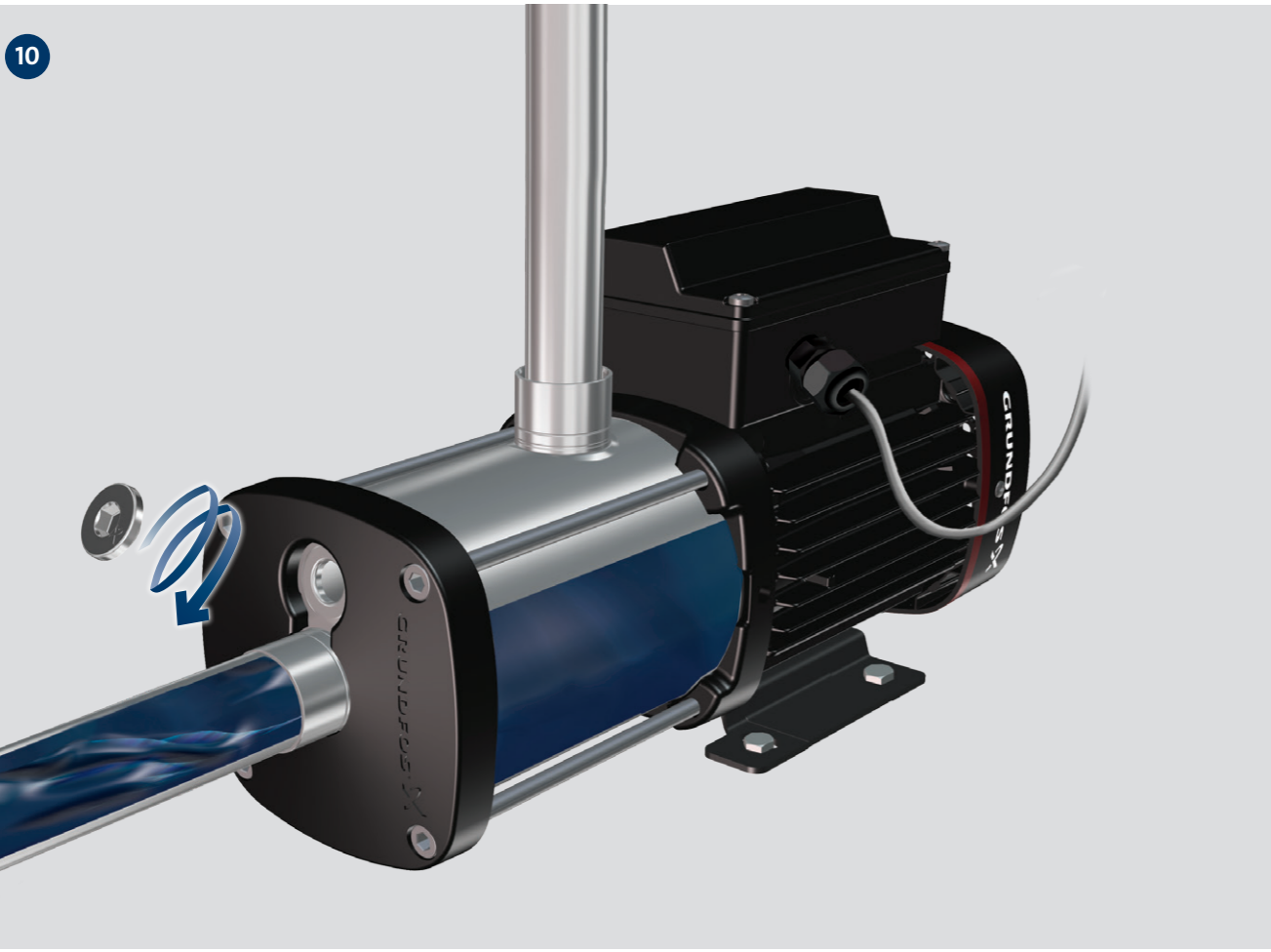
6A



6B

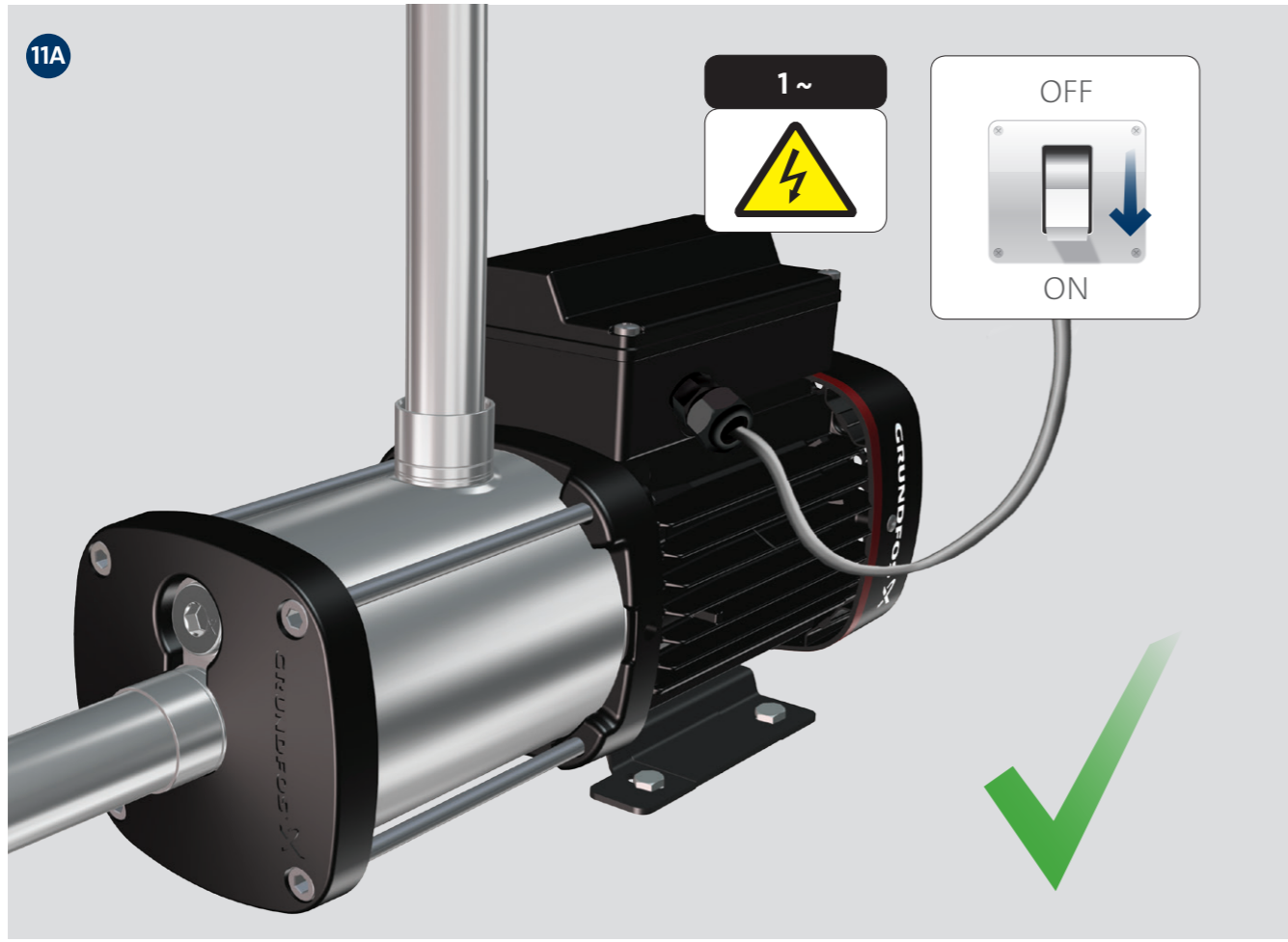




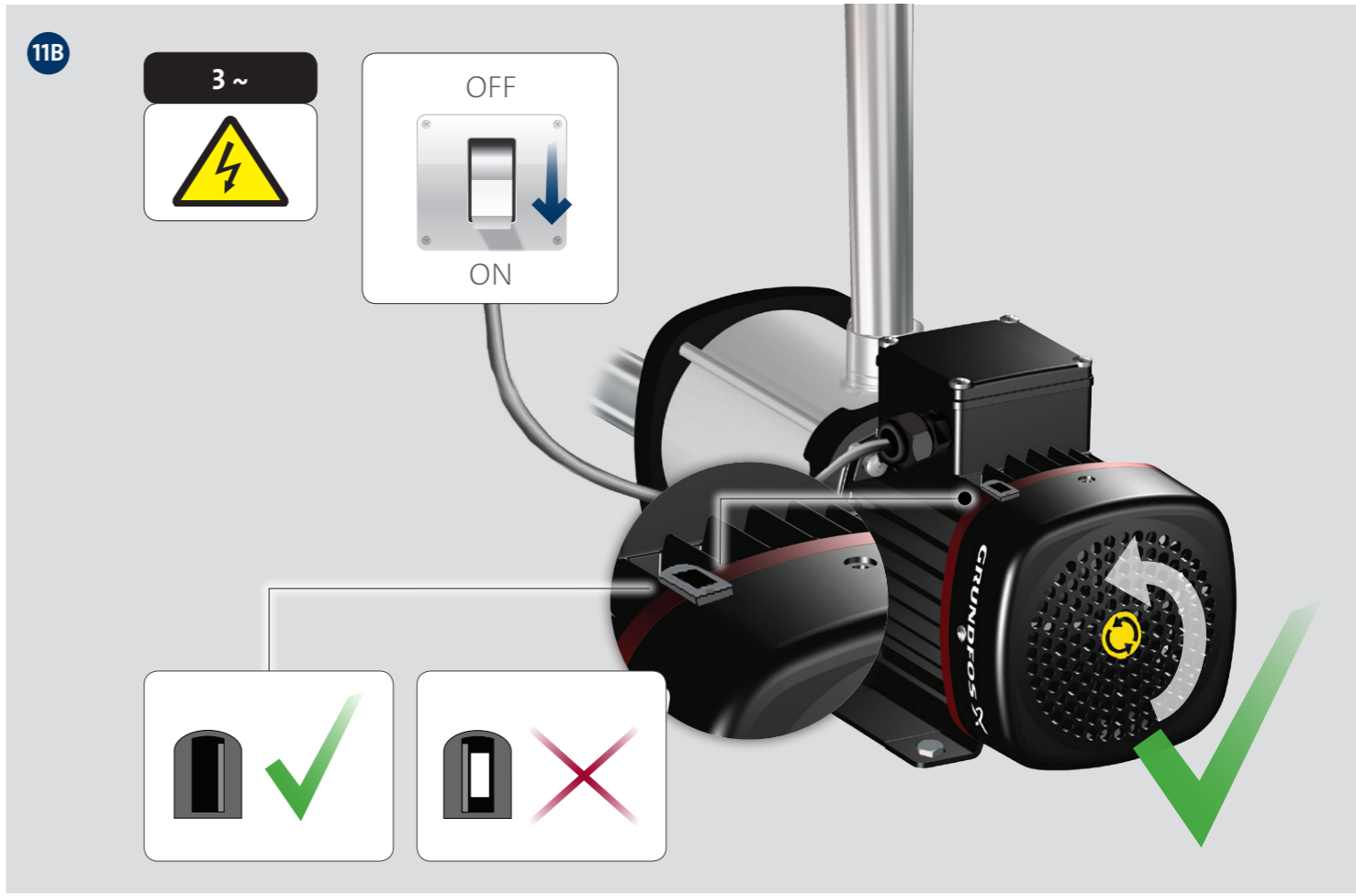


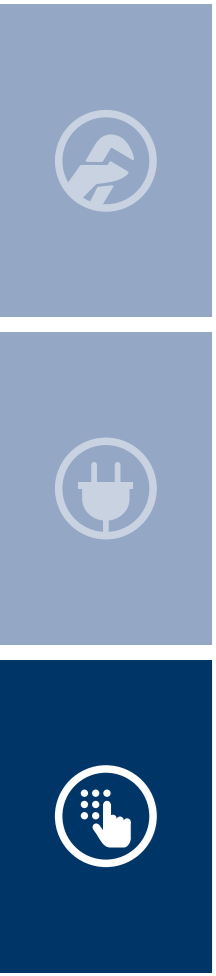


11A



11B





grundfos.com/CM-manual





be think innovate

95121198 1013

ECM: 1122134

GRUNDFOS Holding A/S
Poul Due Jensens Vej 7
DK-8850 Bjerringbro
Tel: +45 87 50 14 00
www.grundfos.com

GRUNDFOS 

The name Grundfos, the Grundfos logo, and be think innovate are registered trademarks owned by Grundfos Holding A/S or Grundfos A/S, Denmark. All rights reserved worldwide.