

In-line Twin Pump

**Etaline Z**

**Installation/Operating Manual**



## **Legal information/Copyright**

Installation/Operating Manual Etaline Z

Original operating manual

All rights reserved. The contents provided herein must neither be distributed, copied, reproduced, edited or processed for any other purpose, nor otherwise transmitted, published or made available to a third party without the manufacturer's express written consent.

Subject to technical modification without prior notice.

© KSB SE & Co. KGaA, Frankenthal 26/07/2018

**Contents**

	<b>Glossary .....</b>	<b>5</b>
<b>1</b>	<b>General.....</b>	<b>6</b>
	1.1 Principles .....	6
	1.2 Installation of partly completed machinery.....	6
	1.3 Target group.....	6
	1.4 Other applicable documents.....	6
	1.5 Symbols .....	6
	1.6 Key to safety symbols/markings.....	7
<b>2</b>	<b>Safety .....</b>	<b>8</b>
	2.1 General.....	8
	2.2 Intended use .....	8
	2.3 Personnel qualification and training.....	8
	2.4 Consequences and risks caused by non-compliance with this manual .....	9
	2.5 Safety awareness .....	9
	2.6 Safety information for the operator/user .....	9
	2.7 Safety information for maintenance, inspection and installation .....	9
	2.8 Unauthorised modes of operation .....	10
	2.9 Explosion protection .....	10
	2.9.1 Marking .....	10
	2.9.2 Temperature limits.....	10
	2.9.3 Monitoring equipment.....	11
	2.9.4 Operating limits .....	11
<b>3</b>	<b>Transport/Temporary Storage/Disposal.....</b>	<b>12</b>
	3.1 Checking the condition upon delivery .....	12
	3.2 Transport.....	12
	3.3 Storage/preservation .....	13
	3.4 Return to supplier.....	13
	3.5 Disposal .....	14
<b>4</b>	<b>Description of the Pump (Set) .....</b>	<b>15</b>
	4.1 General.....	15
	4.2 Product Information as per Regulation No. 547/2012 (for water pumps with a maximum shaft power of 150 kW) implementing "Ecodesign" Directive 2009/125/EC.....	15
	4.3 Designation.....	15
	4.4 Name plate.....	17
	4.5 Design details.....	17
	4.6 Configuration and function.....	19
	4.7 Noise characteristics .....	20
	4.8 Scope of supply.....	20
	4.9 Dimensions and weights .....	20
<b>5</b>	<b>Installation at Site .....</b>	<b>21</b>
	5.1 Checks to be carried out prior to installation.....	21
	5.2 Installing the pump set: twin pumps.....	21
	5.3 Piping .....	23
	5.3.1 Connecting the piping.....	23
	5.3.2 Permissible forces and moments at the pump nozzles.....	25
	5.3.3 Vacuum balance line.....	26
	5.3.4 Auxiliary connections.....	26
	5.4 Casing/insulation .....	27
	5.5 Electrical connection .....	27
	5.5.1 Setting the time relay .....	28
	5.5.2 Earthing .....	28
	5.5.3 Connecting the motor .....	28

5.6	Checking the direction of rotation.....	29
<b>6</b>	<b>Commissioning/Start-up/Shutdown.....</b>	<b>30</b>
6.1	Commissioning/Start-up.....	30
6.1.1	Prerequisites for commissioning/start-up.....	30
6.1.2	Filling in lubricants.....	30
6.1.3	Checking the shaft seal.....	30
6.1.4	Priming and venting the pump.....	30
6.1.5	Start-up.....	31
6.1.6	Shutdown.....	32
6.2	Operating limits.....	33
6.2.1	Ambient temperature.....	33
6.2.2	Frequency of starts.....	34
6.2.3	Fluid handled.....	34
6.3	Shutdown/storage/preservation.....	35
6.3.1	Measures to be taken for shutdown.....	35
6.4	Returning to service.....	35
<b>7</b>	<b>Servicing/Maintenance.....</b>	<b>37</b>
7.1	Safety regulations.....	37
7.2	Servicing/Inspection.....	38
7.2.1	Supervision of operation.....	38
7.2.2	Inspection work.....	40
7.3	Drainage/cleaning.....	41
7.4	Dismantling the pump set.....	41
7.4.1	General information/Safety regulations.....	41
7.4.2	Preparing the pump set.....	42
7.4.3	Dismantling the complete pump set.....	42
7.4.4	Removing the motor.....	42
7.4.5	Removing the back pull-out unit.....	43
7.4.6	Removing the impeller.....	43
7.4.7	Removing the mechanical seal.....	43
7.5	Reassembling the pump set.....	44
7.5.1	General information/Safety regulations.....	44
7.5.2	Installing the mechanical seal.....	45
7.5.3	Fitting the impeller.....	46
7.5.4	Installing the back pull-out unit.....	46
7.5.5	Mounting the motor.....	46
7.6	Tightening torques.....	48
7.7	Spare parts stock.....	49
7.7.1	Ordering spare parts.....	49
7.7.2	Recommended spare parts stock for 2 years' operation to DIN 24296.....	49
7.7.3	Interchangeability of Etaline Z, Etaline and Etabloc pump components.....	50
<b>8</b>	<b>Trouble-shooting.....</b>	<b>52</b>
<b>9</b>	<b>Related Documents.....</b>	<b>54</b>
9.1	Exploded view and list of components.....	54
9.1.1	Variant with bolted casing cover.....	54
9.1.2	Variant with clamped casing cover.....	55
9.2	General assembly drawing with list of components.....	57
<b>10</b>	<b>EU Declaration of Conformity.....</b>	<b>59</b>
<b>11</b>	<b>Certificate of Decontamination.....</b>	<b>60</b>
	<b>Index.....</b>	<b>61</b>

## Glossary

### ACS

French drinking water regulations (ACS = Attestation de Conformité Sanitaire)

### Back pull-out unit

Pump without pump casing; partly completed machinery

### Certificate of decontamination

A certificate of decontamination is enclosed by the customer when returning the product to the manufacturer to certify that the product has been properly drained to eliminate any environmental and health hazards arising from components in contact with the fluid handled.

### Close-coupled design

Motor directly fitted to the pump via a flange or a drive lantern

### Discharge line

The pipeline which is connected to the discharge nozzle

### Hydraulic system

The part of the pump in which the kinetic energy is converted into pressure energy

### IE3

Efficiency class to IEC 60034-30: 3 = Premium Efficiency (IE = International Efficiency)

### In-line design

A pump whose suction and discharge nozzle are arranged opposite each other and have the same nominal diameter.

### Pool of pumps

Customers/operators' pumps which are purchased and stored regardless of their later use.

### Pump

Machine without drive, additional components or accessories

### Pump set

Complete pump set consisting of pump, drive, additional components and accessories

### Suction lift line/suction head line

The pipeline which is connected to the suction nozzle

### UBA

German drinking water regulations to German Environment Agency

### WRAS

Approved by all water suppliers in the UK (WRAS = Water Regulations Advisory Scheme)

## 1 General

### 1.1 Principles

This operating manual is supplied as an integral part of the type series and variants indicated on the front cover.

The manual describes the proper and safe use of this equipment in all phases of operation.

The name plate indicates the type series and size, the main operating data, the order number and the order item number. The order number and order item number clearly identify the pump set and serve as identification for all further business processes.

In the event of damage, immediately contact your nearest KSB Service centre to maintain the right to claim under warranty.

### 1.2 Installation of partly completed machinery

To install partly completed machinery supplied by KSB refer to the sub-sections under Servicing/Maintenance.

### 1.3 Target group

This operating manual is aimed at the target group of trained and qualified specialist technical personnel. (⇒ Section 2.3, Page 8)

### 1.4 Other applicable documents

**Table 1:** Overview of other applicable documents

Document	Contents
Data sheet	Description of the technical data of the pump (set)
General arrangement drawing/ outline drawing	Description of mating and installation dimensions for the pump (set), weights
Drawing of auxiliary connections	Description of auxiliary connections
Hydraulic characteristic curve	Characteristic curves showing head, NPSH required, efficiency and power input
General assembly drawing <sup>1)</sup>	Sectional drawing of the pump
Sub-supplier product literature <sup>1)</sup>	Operating manuals and other documentation for accessories and integrated machine parts
Spare parts lists <sup>1)</sup>	Description of spare parts
Piping layout <sup>1)</sup>	Description of auxiliary piping
List of components <sup>1)</sup>	Description of all pump components
Drawing for assembly <sup>1)</sup>	Sectional drawing of the installed shaft seal


For accessories and/or integrated machinery components observe the relevant manufacturer's product literature.

### 1.5 Symbols

**Table 2:** Symbols used in this manual







Symbol	Description
✓	Conditions which need to be fulfilled before proceeding with the step-by-step instructions
▷	Safety instructions
⇒	Result of an action
⇔	Cross-references

1) If agreed upon in scope of supply

Symbol	Description
1. 2.	Step-by-step instructions
	Note Recommendations and important information on how to handle the product

### 1.6 Key to safety symbols/markings

Table 3: Definition of safety symbols/markings

Symbol	Description
 <b>DANGER</b>	<b>DANGER</b> This signal word indicates a high-risk hazard which, if not avoided, will result in death or serious injury.
 <b>WARNING</b>	<b>WARNING</b> This signal word indicates a medium-risk hazard which, if not avoided, could result in death or serious injury.
<b>CAUTION</b>	<b>CAUTION</b> This signal word indicates a hazard which, if not avoided, could result in damage to the machine and its functions.
	<b>Explosion protection</b> This symbol identifies information about avoiding explosions in potentially explosive atmospheres in accordance with EU Directive 2014/34/EU (ATEX).
	<b>General hazard</b> In conjunction with one of the signal words this symbol indicates a hazard which will or could result in death or serious injury.
	<b>Electrical hazard</b> In conjunction with one of the signal words this symbol indicates a hazard involving electrical voltage and identifies information about protection against electrical voltage.
	<b>Machine damage</b> In conjunction with the signal word CAUTION this symbol indicates a hazard for the machine and its functions.



## 2 Safety

All the information contained in this section refers to hazardous situations.

In addition to the present general safety information the action-related safety information given in the other sections must be observed.

### 2.1 General

This operating manual contains general installation, operating and maintenance instructions that must be observed to ensure safe operation of the system and prevent personal injury and damage to property.

The safety information in all sections of this manual must be complied with.

The operating manual must be read and understood by the responsible specialist personnel/operators prior to installation and commissioning.

The contents of this operating manual must be available to the specialist personnel at the site at all times.

Information attached directly to the product must always be complied with and kept in a perfectly legible condition at all times. This applies to, for example:

- Arrow indicating the direction of rotation
- Markings for connections
- Name plate

The operator is responsible for ensuring compliance with all local regulations not taken into account in this operating manual.

### 2.2 Intended use

- The pump (set) must only be operated in the fields of application and within the use limits specified in the other applicable documents.
- Only operate pumps/pump sets which are in perfect technical condition.
- Do not operate the pump (set) in partially assembled condition.
- Only use the pump to handle the fluids described in the data sheet or product literature of the pump model or variant.
- Never operate the pump without the fluid to be handled.
- Observe the minimum flow rates indicated in the data sheet or product literature (to prevent overheating, bearing damage, etc).
- Observe the minimum flow rate and maximum flow rate indicated in the data sheet or product literature (to prevent overheating, mechanical seal damage, cavitation damage, bearing damage, etc).
- Do not throttle the flow rate on the suction side of the pump (to prevent cavitation damage).
- Consult the manufacturer about any use or mode of operation not described in the data sheet or product literature.

### 2.3 Personnel qualification and training

All personnel involved must be fully qualified to transport, install, operate, maintain and inspect the machinery this manual refers to.

The responsibilities, competence and supervision of all personnel involved in transport, installation, operation, maintenance and inspection must be clearly defined by the operator.

Deficits in knowledge must be rectified by means of training and instruction provided by sufficiently trained specialist personnel. If required, the operator can commission the manufacturer/supplier to train the personnel.

Training on the pump (set) must always be supervised by technical specialist personnel.



### **2.4 Consequences and risks caused by non-compliance with this manual**

- Non-compliance with these operating instructions will lead to forfeiture of warranty cover and of any and all rights to claims for damages.
- Non-compliance can, for example, have the following consequences:
  - Hazards to persons due to electrical, thermal, mechanical and chemical effects and explosions
  - Failure of important product functions
  - Failure of prescribed maintenance and servicing practices
  - Hazard to the environment due to leakage of hazardous substances

### **2.5 Safety awareness**

In addition to the safety information contained in this manual and the intended use, the following safety regulations shall be complied with:

- Accident prevention, health regulations and safety regulations
- Explosion protection regulations
- Safety regulations for handling hazardous substances
- Applicable standards, directives and laws

### **2.6 Safety information for the operator/user**

- Fit protective equipment (e.g. contact guards) supplied by the operator for hot, cold or moving parts, and check that the equipment functions properly.
- Do not remove any protective equipment (e.g. contact guards) during operation.
- Provide the personnel with protective equipment and make sure it is used.
- Contain leakages (e.g. at the shaft seal) of hazardous fluids handled (e.g. explosive, toxic, hot) so as to avoid any danger to persons and the environment. Adhere to all relevant laws.
- Eliminate all electrical hazards. (In this respect refer to the applicable national safety regulations and/or regulations issued by the local energy supply companies.)
- If shutting down the pump does not increase potential risk, fit an emergency-stop control device in the immediate vicinity of the pump (set) during pump set installation.

### **2.7 Safety information for maintenance, inspection and installation**

- Modifications or alterations of the pump (set) are only permitted with the manufacturer's prior consent.
- Use only original spare parts or parts/components authorised by the manufacturer. The use of other parts/components can invalidate any liability of the manufacturer for resulting damage.
- The operator ensures that maintenance, inspection and installation is performed by authorised, qualified specialist personnel who are thoroughly familiar with the manual.
- Only carry out work on the pump (set) during standstill of the pump.
- Only perform work on the pump set when it has been disconnected from the power supply (de-energised).
- The pump (set) must have cooled down to ambient temperature.
- Pump pressure must have been released and the pump must have been drained.

- When taking the pump set out of service always adhere to the procedure described in the manual. (⇒ Section 6.1.6, Page 32) (⇒ Section 6.3, Page 35)
- Decontaminate pumps which handle fluids posing a health hazard. (⇒ Section 7.3, Page 41)
- As soon as the work has been completed, re-install and re-activate any safety-relevant devices and protective devices. Before returning the product to service, observe all instructions on commissioning. (⇒ Section 6.1, Page 30)

### 2.8 Unauthorised modes of operation

Never operate the pump (set) outside the limits stated in the data sheet and in this manual.

The warranty relating to the operating reliability and safety of the supplied pump (set) is only valid if the equipment is used in accordance with its intended use. (⇒ Section 2.2, Page 8)

### 2.9 Explosion protection



**Always observe the information on explosion protection given in this section when operating the product in potentially explosive atmospheres.**

Only pumps/pump sets marked as explosion-proof **and** identified as such in the data sheet may be used in potentially explosive atmospheres.

Special conditions apply to the operation of explosion-proof pump sets to EU Directive 2014/34/EU (ATEX).

Especially adhere to the sections in this manual marked with the symbol opposite and the following sections, (⇒ Section 2.9.1, Page 10) to (⇒ Section 2.9.4, Page 11)

The explosion-proof status of the pump set is only assured if the pump set is used in accordance with its intended use.

Never operate the pump set outside the limits stated in the data sheet and on the name plate.

Prevent impermissible modes of operation at all times.

#### 2.9.1 Marking

**Pump** The marking on the pump refers to the pump part only.

Example of such marking:

II 2 G c TX (EN 13463-1) or II 2G Ex h IIC T5-T1 Gb (ISO 80079-36)

Refer to the individual Temperature Limits table for the temperatures permitted for the individual pump variants. (⇒ Section 2.9.2, Page 10)

The pump complies with the requirements of type of protection constructional safety "c" to ISO 80079-37.

**Shaft coupling** An EC manufacturer's declaration is required for the shaft coupling; the shaft coupling must be marked accordingly.

**Motor** The motor has its own marking. The marking is maintained on the condition that the temperatures the pump causes to develop at the motor flange and motor shaft are permitted by the motor manufacturer.  
The motors used by KSB on pumps with ATEX certification meet this condition.

#### 2.9.2 Temperature limits

In normal pump operation, the highest temperatures are to be expected on the surface of the pump casing and at the shaft seal.

The surface temperature at the pump casing corresponds to the temperature of the fluid handled. If the pump is heated in addition, the operator of the system is responsible for observing the specified temperature class and fluid temperature (operating temperature).

The table below lists the temperature classes and the resulting theoretical temperature limits of the fluid handled (a potential temperature rise in the shaft seal area has been taken into account).

The temperature class specifies the maximum permissible temperature at the surface of the pump set during operation. For the permissible operating temperature of the pump in question refer to the data sheet.

**Table 4:** Temperature limits

Temperature class to EN 13463-1 or ISO 80079-36	Maximum permissible fluid temperature
T1	Temperature limit of the pump
T2	280 °C
T3	185 °C
T4	120 °C
T5	85 °C
T6	Only after consultation with the manufacturer

If the pump is to be operated at a higher temperature, the data sheet is missing or if the pump is part of a pool of pumps, contact KSB for the maximum permissible operating temperature.

**Motor supplied by the operator**

If a pump is supplied without motor (as part of a pool of pumps), the motor specified in the pump data sheet must meet the following conditions:

- The permissible temperature limits at the motor flange and motor shaft must be higher than the temperatures generated by the pump.
- Contact the manufacturer for the actual pump temperatures.

**2.9.3 Monitoring equipment**

The pump (set) must only be operated within the limits specified in the data sheet and on the name plate.

If the system operator cannot warrant compliance with these operating limits, appropriate monitoring devices must be used.

Check whether monitoring equipment is required to ensure that the pump set functions properly.

Contact KSB for further information about monitoring equipment.

**2.9.4 Operating limits**

The minimum flows indicated in (⇒ Section 6.2.3.1, Page 34) refer to water and water-like fluids handled. Longer operating periods with these fluids and at the flow rates indicated will not cause an additional increase in the temperatures at the pump surface. However, if the physical properties of the fluids handled are different from water, it is essential to check whether an additional heat build-up may occur and if the minimum flow rate must therefore be increased. The calculation formula in (⇒ Section 6.2.3.1, Page 34) can be used to check whether additional heat build-up may lead to a dangerous temperature increase at the pump surface.

### 3 Transport/Temporary Storage/Disposal

#### 3.1 Checking the condition upon delivery

1. On transfer of goods, check each packaging unit for damage.
2. In the event of in-transit damage, assess the exact damage, document it and notify KSB or the supplying dealer and the insurer about the damage in writing immediately.

#### 3.2 Transport

	<b>⚠ DANGER</b>
	<p><b>The pump (set) could slip out of the suspension arrangement</b>            Danger to life from falling parts!</p> <ul style="list-style-type: none"> <li>▷ Always transport the pump (set) in the specified position.</li> <li>▷ Never attach the suspension arrangement to the free shaft end or the motor eyebolt.</li> <li>▷ Observe the information about weights, centre of gravity and fastening points.</li> <li>▷ Observe the applicable local accident prevention regulations.</li> <li>▷ Use suitable, permitted lifting accessories, e.g. self-tightening lifting tongs.</li> </ul>

To transport the pump/pump set suspend it from the lifting tackle as shown.

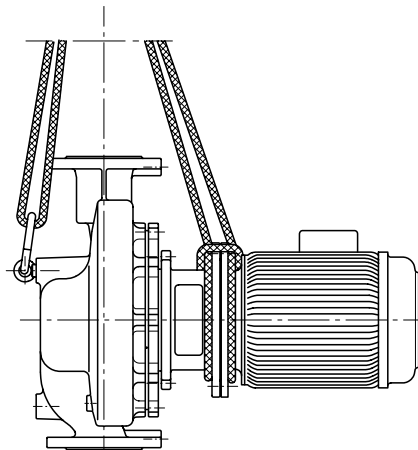


Fig. 1: Transporting the pump set

	<b>CAUTION</b>
	<p><b>Incorrect transport of the pump</b>            Damage to the shaft seal!</p> <ul style="list-style-type: none"> <li>▷ For transport, lock the pump shaft with a suitable transport lock to prevent any movement of the shaft.</li> </ul>

When transporting the pump without motor, shaft 210 must be locked.

1. Remove the screws on cover plates 68-3, press the cover plates slightly together and remove from drive lantern 341.
2. Insert lock washer 931.95 into the shaft groove.
3. Tighten hexagon head bolt 901.50.

To transport the pump/pump set suspend it from the lifting tackle as shown.

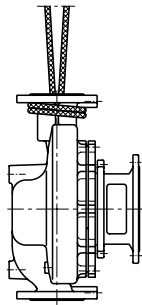


Fig. 2: Transporting the pump

### 3.3 Storage/preservation

If commissioning is to take place some time after delivery, we recommend that the following measures be taken for pump (set) storage.

	<p><b>CAUTION</b></p>
	<p><b>Damage during storage due to humidity, dirt or vermin</b> Corrosion/contamination of the pump (set)!</p> <ul style="list-style-type: none"> <li>▷ For outdoor storage cover the pump (set) or the packaged pump (set) and accessories with waterproof material.</li> </ul>
	<p><b>CAUTION</b></p>
	<p><b>Wet, contaminated or damaged openings and connections</b> Leakage or damage to the pump!</p> <ul style="list-style-type: none"> <li>▷ Clean and cover pump openings and connections as required prior to putting the pump into storage.</li> </ul>

Store the pump (set) in a dry, protected room where the atmospheric humidity is as constant as possible.

Rotate the shaft by hand once a month, e.g. via the motor fan.

If properly stored indoors, the pump set is protected for a maximum of 12 months. New pumps/pump sets are supplied by our factory duly prepared for storage.



For storing a pump (set) which has already been operated, the shutdown measures must be adhered to. (⇒ Section 6.3.1, Page 35)

### 3.4 Return to supplier

1. Drain the pump as per operating instructions. (⇒ Section 7.3, Page 41)
2. Flush and clean the pump, particularly if it has been used for handling noxious, explosive, hot or other hazardous fluids.
3. If the pump has handled fluids whose residues could lead to corrosion damage in the presence of atmospheric humidity or could ignite upon contact with oxygen also neutralise the pump and blow through with anhydrous inert gas to ensure drying.
4. Always complete and enclose a certificate of decontamination when returning the pump.  
Indicate any safety measures and decontamination measures taken.  
(⇒ Section 11, Page 60)

	<p><b>NOTE</b></p>
	<p>If required, a blank certificate of decontamination can be downloaded from the following web site: <a href="http://www.ksb.com/certificate_of_decontamination">www.ksb.com/certificate_of_decontamination</a></p>

## 3.5 Disposal

	 <b>WARNING</b>
	<p><b>Fluids handled, consumables and supplies which are hot and/or pose a health hazard</b></p> <p>Hazard to persons and the environment!</p> <ul style="list-style-type: none"><li>▶ Collect and properly dispose of flushing fluid and any fluid residues.</li><li>▶ Wear safety clothing and a protective mask if required.</li><li>▶ Observe all legal regulations on the disposal of fluids posing a health hazard.</li></ul>

1. Dismantle the pump (set).  
Collect greases and other lubricants during dismantling.
2. Separate and sort the pump materials, e.g. by:
  - Metals
  - Plastics
  - Electronic waste
  - Greases and other lubricants
3. Dispose of materials in accordance with local regulations or in another controlled manner.

## 4 Description of the Pump (Set)

### 4.1 General

- Non-self-priming in-line twin pump
- Handling clean or aggressive fluids not chemically and mechanically aggressive to the pump materials.

The pump set consists of two centrifugal pumps with separate hydraulic systems and drives. The pumps run in the same direction of rotation.

The changeover flap fitted in the discharge nozzle serves to shut off the stand-by pump.

### 4.2 Product Information as per Regulation No. 547/2012 (for water pumps with a maximum shaft power of 150 kW) implementing "Ecodesign" Directive 2009/125/EC

- Minimum efficiency index: see name plate, key to name plate
- The benchmark for the most efficient water pumps is  $MEI \geq 0.70$ .
- Year of construction: see name plate, key to name plate
- Manufacturer's name or trade mark, commercial registration number and place of manufacture: see data sheet or order documentation
- Product's type and size identifier: see name plate, key to name plate
- Hydraulic pump efficiency (%) with trimmed impeller: see data sheet
- Pump performance curves, including efficiency characteristics: see documented characteristic curve
- The efficiency of a pump with a trimmed impeller is usually lower than that of a pump with full impeller diameter. Trimming of the impeller will adapt the pump to a fixed duty point, leading to reduced energy consumption. The minimum efficiency index (MEI) is based on the full impeller diameter.
- Operation of this water pump with variable duty points may be more efficient and economic when controlled, for example, by the use of a variable speed drive that matches the pump duty to the system.
- Information on dismantling, recycling and disposal after decommissioning: (⇒ Section 3.5, Page 14)
- Information on benchmark efficiency or benchmark efficiency graph for  $MEI = 0.70$  (0.40) for the pump based on the model shown in the Figure are available at: <http://www.europump.org/efficiencycharts>

### 4.3 Designation

Table 5: Designation example

Position																																											
1	2	3	4	5	6	7	8	9	10	11	12	13	14	15	16	17	18	19	20	21	22	23	24	25	26	27	28	29	30	31	32	33	34	35	36	37	38	39	40	41	42	43	44
E	T	L	-	0	3	2	-	0	3	2	-	1	6	0	-	G	G	S	A	V	0	1	D	2	1	1	0	0	2	e	x	B	K	S	B	I	E	3	P	D	2	E	M
See name plate and data sheet																						See data sheet																					

Table 6: Designation key

Position	Code	Description
1-4	Pump type	
5-16	Size, e.g.	
	032	Nominal suction nozzle diameter [mm]
	032	Nominal discharge nozzle diameter [mm]
	160	Nominal impeller diameter [mm]
17	Pump casing material	

Position	Code	Description	
17	G	Cast iron	EN-GJL-250 / A48CL35
18	Impeller material		
	G	Cast iron	EN-GJL-250 / A48CL35
	C	Stainless steel	1.4408 / A743CF8M
	B	Bronze	CC480K-GS / B30 C90700
19	Design		
	H	Approved for drinking water to ACS	
	K	Approved for drinking water to KSB Standard	
	S	Standard	
	U	Approved for drinking water to UBA	
	W	Approved for drinking water to WRAS	
	X	Non-standard (BT3D, BT3)	
20	Casing cover		
	A	Conical seal chamber	
21	Shaft seal type		
	E	External circulation	
	F	External flushing	
	S	Single mechanical seal with vented chamber (A-type cover), discharge cover with anti-swirl baffles	
	V	Single mechanical seal with vented chamber (A-type cover)	
22-23	Seal code, single mechanical seal		
	01	Q1Q1VGG	1 (ZN1181)
	06	U3BEGG (shaft units 25, 35)	RMG13G606
	07	Q1Q1EGG	1A (ZN1181)
	08	AQ1VGG	M32N69
	09	U3U3VGG	MG13G60
	10	Q1Q1X4GG	1 (ZN1181)
	11	BQ1EGG-WA (WA = drinking water)	1 (ZN1181)
	22	AQ1EGG (shaft unit 55)	M32N69
	66	Q7Q7EGG	MG13G6
	67	Q6Q6X4GG	MG13G60 / MG1G61S6
24	Scope of supply		
	A	Pump only (Fig. 0 bare-shaft pump)	
	D	Pump, motor	
25	Shaft unit		
	2	Shaft unit 25	
	3	Shaft unit 35	
	5	Shaft unit 55	
26-29	Motor rating $P_N$ [kW]		
	0002	0,25	
	...	...	
	0550	55,00	
30	Number of motor poles		
31-32	Explosion protection		
	ex	With explosion-proof motor	
	--	Without explosion-proof motor	
33	Product generation		
	B	/	
34-36	Motor manufacturer		



Position	Code	Description
34-36	KSB	KSB / KSB's choice
	SIE	Siemens
	LOH	Loher
	HAL	Halter
37-39	Efficiency class	
40-43	PumpDrive	
	PD2	PumpDrive 2
	PD2E	PumpDrive 2 Eco
	IFS	MyFlow Drive
44	PumpMeter	
	M	PumpMeter

#### 4.4 Name plate

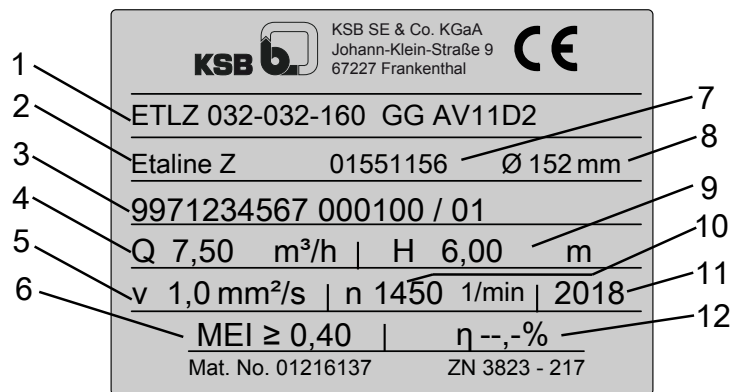


Fig. 3: Name plate (example)

1	Type series code, size and version	2	Type series
3	KSB order No., order item No. and consecutive No.	4	Flow rate
5	Kinematic viscosity of the fluid handled	6	Minimum efficiency index
7	Material number (if applicable)	8	Impeller diameter
9	Head	10	Speed
11	Year of construction	12	Efficiency (see data sheet)

#### 4.5 Design details

##### Design

- Volute casing pump
- Close-coupled design / in-line design
- Single-stage
- Horizontal installation / vertical installation
- Pump and motor on a common shaft
- Rigid connection between pump and motor

### Pump casing

- Radially split volute casing
- Replaceable casing wear rings
- In-line design

### Impeller type

- Closed radial impeller with multiply curved vanes

### Shaft seal

- Single mechanical seals and double mechanical seals to EN 12756
- Shaft equipped with replaceable shaft sleeve in the shaft seal area

### Bearings

- Radial ball bearings in the motor housing

### Drive

- Efficiency class IE3 to IEC 60034-30

#### Standard design:

- KSB surface-cooled IEC three-phase current squirrel-cage motor
- 50 Hz winding, 220 - 240 V / 380 - 420 V  $\leq$  2.20 kW
- 50 Hz winding, 380 - 420 V / 660 - 725 V  $\geq$  3.00 kW
- 60 Hz winding, 440 - 480 V  $\leq$  2.60 kW
- 60 Hz winding, 440 - 480 V  $\geq$  3.60 kW
- Type of construction IM V1  $\leq$  4.00 kW
- Type of construction IM V15  $\geq$  5.50 kW
- Enclosure IP55
- Duty cycle: continuous duty S1
- Thermal class F with temperature sensor, 3 PTC thermistors

#### Explosion-proof version:

- KSB surface-cooled IEC three-phase current squirrel-cage motor
- 50 Hz winding, 220 - 240 V / 380 - 420 V  $\leq$  1.85 kW
- 50 Hz winding, 380 - 420 V / 660 - 725 V  $\geq$  2.50 kW
- Type of construction IM V1  $\leq$  3.30 kW
- Type of construction IM V15  $\geq$  4.60 kW
- Enclosure IP55 or IP54
- Duty cycle: continuous duty S1
- Type of protection EEx e II
- Temperature class T3

4.6 Configuration and function

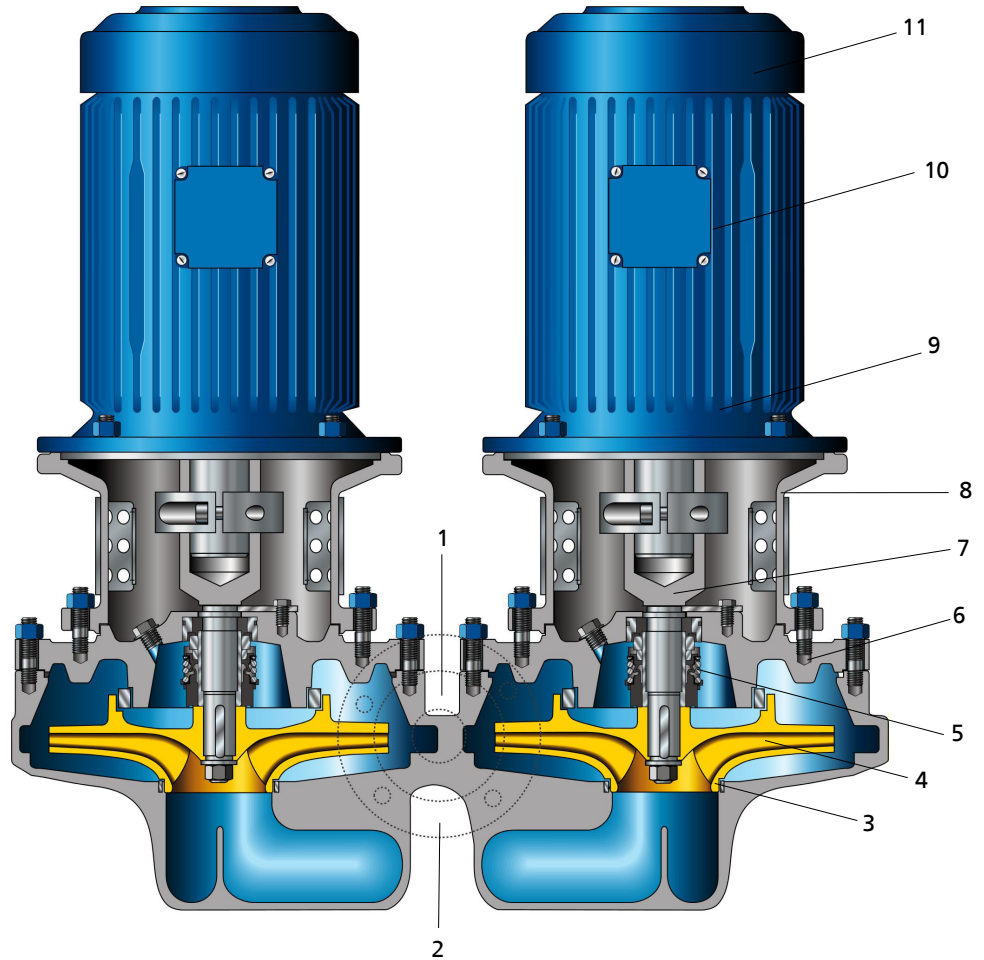


Fig. 4: Sectional drawing

1	Discharge nozzle	2	Suction nozzle
3	Clearance gap	4	Impeller
5	Shaft seal	6	Casing cover
7	Shaft	8	Drive lantern
9	Rolling element bearing	10	Motor housing
11	Rolling element bearing		

**Design** The pump is designed with a radial fluid inlet (suction nozzle) and a radial outlet (discharge nozzle) arranged on the same axis. The hydraulic system is rigidly connected to the motor by a shaft coupling.

**Function** The fluid enters the pump via the suction nozzle (2) and is accelerated outward by the rotating impeller (4). In the flow passage of the pump casing the kinetic energy of the fluid is converted into pressure energy. The fluid is pumped to the discharge nozzle (1), where it leaves the pump. The clearance gap (3) prevents any fluid from flowing back from the casing to the suction nozzle. At the rear side of the impeller, the shaft (7) enters the casing via the casing cover (6). The shaft passage through the cover is sealed to the atmosphere with a dynamic shaft seal (5). The shaft runs in rolling element bearings (9 and 11), which are supported by a motor housing (10) linked with the pump casing and/or casing cover via the drive lantern (8).

**Sealing** The pump is sealed by a standardised mechanical seal.

#### 4.7 Noise characteristics

Table 7: Surface sound pressure level  $L_{pA}$ <sup>2)3)</sup>

Rated power input $P_N$ (kW)	Pump set
	1450 rpm
0,25	53
0,37	54
0,55	55
0,75	56
1,1	57
1,5	58
2,2	59
3	60
4	61
5,5	62
7,5	64
11	65
15	67
18,5	68
22	69
30	70
37	71
45	73
55	74

#### 4.8 Scope of supply

Depending on the model, the following items are included in the scope of supply:

1. Pump

##### Drive

- Surface-cooled IEC three-phase current squirrel-cage motor

##### Accessories

- Pump foot for vertical installation (vertical position of shaft axis)
- Switchgears for single and twin pumps
- Blind flange for ensuring pump availability during servicing

#### 4.9 Dimensions and weights

For dimensions and weights please refer to the general arrangement drawing/outline drawing of the pump/pump set.

---

2) Spatial average; as per ISO 3744 and EN 12639; valid for pump operation in the  $Q/Q_{opt} = 0.80 - 1.1$  range and for non-cavitating operation. If noise levels are to be warranted, add +3 dB for measuring and constructional tolerance.  
 3) Increase for 60 Hz operation: 3500 rpm: +3 dB, 1750 rpm: +1 dB

## 5 Installation at Site

### 5.1 Checks to be carried out prior to installation

#### Place of installation

	<p><b>⚠ WARNING</b></p>
	<p><b>Installation on mounting surface which is unsecured and cannot support the load</b>            Personal injury and damage to property!</p> <ul style="list-style-type: none"> <li>▷ Use a concrete of compressive strength class C12/15 which meets the requirements of exposure class XC1 to EN 206-1.</li> <li>▷ The mounting surface must be set, flat, and level.</li> <li>▷ Observe the weights indicated.</li> </ul>

1. Check the structural requirements.  
 All structural work required must have been prepared in accordance with the dimensions stated in the outline drawing/general arrangement drawing.

### 5.2 Installing the pump set: twin pumps

	<p><b>⚠ DANGER</b></p>
	<p><b>Static charging due to insufficient potential equalisation</b>            Explosion hazard!</p> <ul style="list-style-type: none"> <li>▷ Make sure that the connection between pump and baseplate is electrically conductive.</li> </ul>

	<p><b>CAUTION</b></p>
	<p><b>Ingress of leakage into the motor</b>            Damage to the pump!</p> <ul style="list-style-type: none"> <li>▷ Never install the pump set with the "motor below".</li> </ul>

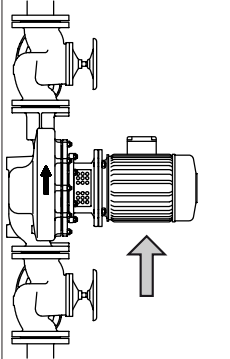
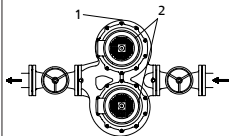
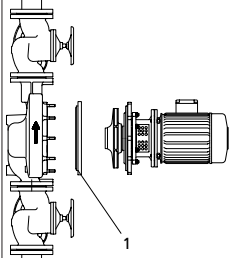
	<p><b>CAUTION</b></p>
	<p><b>Different direction of rotation of twin pumps</b>            Damage to the pump!</p> <ul style="list-style-type: none"> <li>▷ Never arrange the pump set in "flow direction from top to bottom".</li> </ul>

- Pump sizes DN 32 to 80 may be flanged directly into the piping, with the nozzle axis in horizontal (vertical motor shaft) or vertical (horizontal motor shaft) position.
- Pump sizes DN 100 to DN 200 may be flanged directly into the piping, with the nozzle axis in horizontal position (vertical motor shaft). Take suitable steps to support the pump set.

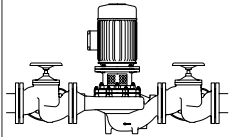
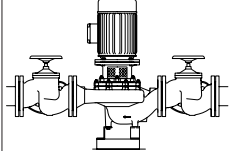
#### Fastening

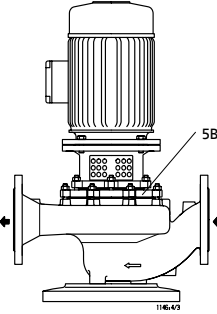
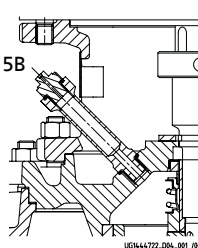
	<p><b>NOTE</b></p>
	<p>Motors from size 180 on pump sets with horizontal motor axis need to be supported without transmitting any stresses and strains.            The foot fixing holes on the motor housing can be used for this purpose.</p>

**Table 8:** Horizontal installation

Examples	Special features
 <p data-bbox="485 622 715 683">Direction of flow from bottom to top</p>	<p data-bbox="719 259 1444 293">Direction of flow from bottom to top</p> <p data-bbox="719 300 1444 416">Motors of size 180 (18.5 kW) and above on pump sets with horizontal motor axis need to be supported adequately. The foot fastening holes on the motor housing can be used for this purpose.</p>
 <p data-bbox="485 831 715 869">Horizontal piping</p>	<p data-bbox="719 689 1444 723">1 = screw plug 6D.1/.2 and 2 = valve 5B.1/.2</p> <p data-bbox="719 730 1444 819">If the piping is laid horizontally, the upper pump must be vented through the upper screw plug 6 B.1/.2 and vent valve 5B.1/.2. This will ensure trouble-free operation.</p>
 <p data-bbox="485 1137 715 1198">Installation with blind flange</p>	<p data-bbox="719 875 1444 909">1 = Blind flange (accessories)</p> <p data-bbox="719 916 1444 1005">If one of the pumps needs to be serviced, the pump chamber can be shut off by a blind flange so that the system remains operational.</p>

**Table 9:** Vertical installation



Examples	Special features
 <p data-bbox="485 1447 715 1507">Vertical installation without feet</p>	<p data-bbox="719 1305 1444 1339">Sizes 032-032-160 to 080-080-250 are fastened without feet.</p>
 <p data-bbox="485 1671 715 1778">Vertical installation, pump mounted with three feet</p>	<p data-bbox="719 1514 1444 1574">Sizes 032-032-160 to 200-200-315 are fastened with three angle feet (St37, accessories depend on the pump size).</p>

Examples	Special features
 <p data-bbox="485 539 715 622">Vertical installation - Information about vent valve</p>	<p data-bbox="719 221 1444 280">Provide a vent valve to prevent dry running of the mechanical seal.</p> <p data-bbox="719 293 1444 351">For vertical installation with the motor on top, use connection 5B for venting.</p>
 <p data-bbox="485 891 715 947">Vent, mechanical seal chamber</p>	<p data-bbox="719 629 1444 687">The mechanical seal chamber can be vented with the vent valve 5B.</p>

1. Position the pump set on the foundation or in the piping and fasten it.
2. Place a spirit level on the discharge nozzle to align the pump set.
3. Change the position of the motor pipe plugs for the condensation drain holes (if any) depending on the installation position.

### 5.3 Piping

#### 5.3.1 Connecting the piping

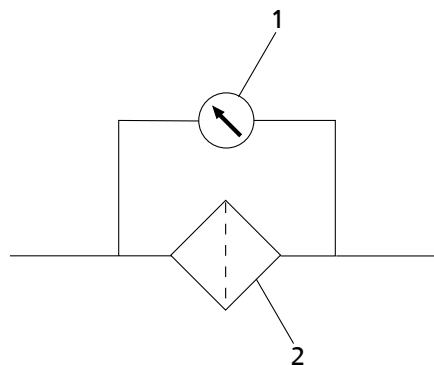
	<p style="background-color: #e67e22; color: white; padding: 5px;"><b>⚠ DANGER</b></p> <p><b>Impermissible loads acting on the pump nozzles</b> Danger to life from leakage of hot, toxic, corrosive or flammable fluids!</p> <ul style="list-style-type: none"> <li>▸ Do not use the pump as an anchorage point for the piping.</li> <li>▸ Anchor the pipes in close proximity to the pump and connect them properly without transmitting any stresses or strains.</li> <li>▸ Take appropriate measures to compensate for thermal expansion of the piping.</li> </ul>
	<p style="background-color: #f1c40f; padding: 5px;"><b>CAUTION</b></p> <p><b>Incorrect earthing during welding work at the piping</b> Destruction of rolling element bearings (pitting effect)!</p> <ul style="list-style-type: none"> <li>▸ Never earth the electric welding equipment on the pump or baseplate.</li> <li>▸ Prevent current flowing through the rolling element bearings.</li> </ul>

	<b>NOTE</b>
	<p>Installing check and shut-off elements in the system is recommended, depending on the type of plant and pump. However, such elements must not obstruct proper drainage or hinder disassembly of the pump.</p>

- ✓ Suction lift lines have been laid with a rising slope, suction head lines with a downward slope towards the pump.
- ✓ A flow stabilisation section having a length equivalent to at least twice the diameter of the suction flange has been provided upstream of the suction flange.
- ✓ The nominal diameters of the pipelines are equal to or greater than the nominal diameters of the pump nozzles.
- ✓ Adapters to larger nominal diameters are designed with a diffuser angle of approx. 8° to avoid excessive pressure losses.
- ✓ The pipelines have been anchored in close proximity to the pump and connected without transmitting any stresses or strains.
  1. Thoroughly clean, flush and blow through all vessels, pipelines and connections (especially of new installations).
  2. Before installing the pump in the piping, remove the flange covers on the suction and discharge nozzles of the pump.

	<b>CAUTION</b>
	<p><b>Welding beads, scale and other impurities in the piping</b>          Damage to the pump!</p> <ul style="list-style-type: none"> <li>▷ Remove any impurities from the piping.</li> <li>▷ If necessary, install a filter.</li> <li>▷ Observe the information in (⇒ Section 7.2.2.2, Page 40) .</li> </ul>

3. Check that the inside of the pump is free from any foreign objects. Remove any foreign objects.
4. If required, install a filter in the piping (see drawing: Filter in the piping).



**Fig. 5: Filter in the piping**

1	Differential pressure gauge	2	Filter
---	-----------------------------	---	--------

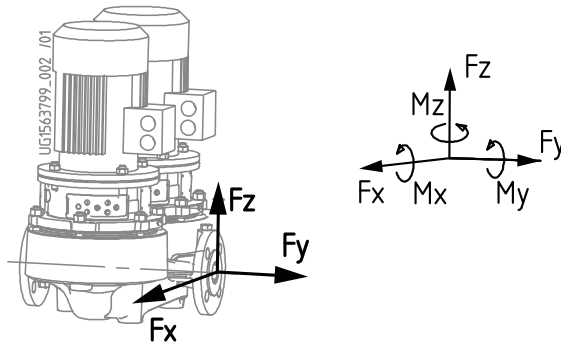
	<b>NOTE</b>
	<p>Use a filter with laid-in wire mesh (mesh width 0.5 mm, wire diameter 0.25 mm) of corrosion-resistant material.          Use a filter with a filter area three times the cross-section of the piping.          Conical filters have proved suitable.</p>

5. Connect the pump nozzles to the piping.



CAUTION	
	<p><b>Aggressive flushing liquid and pickling agent</b>                      Damage to the pump!</p> <p>▷ Match the cleaning operation mode and duration of flushing and pickling to the casing materials and seal materials used.</p>

### 5.3.2 Permissible forces and moments at the pump nozzles




**Fig. 6:** Forces and moments at the pump nozzles

The data on forces and moments apply to static piping loads only. The values are only applicable if the pump is installed on a baseplate and bolted to a rigid and level foundation.

**Table 10:** Forces and moments at the pump nozzles

Size	DN	$F_x$	$F_y$	$F_z$	$\Sigma F$	$M_x$	$M_y$	$M_z$
		[N]	[N]	[N]	[N]	[Nm]	[Nm]	[Nm]
032-032-160	32	320	370	300	574	390	265	300
032-032-200	32	320	370	300	574	390	265	300
040-040-160	40	400	450	350	696	450	320	370
040-040-250	40	400	450	350	696	450	320	370
050-050-160	50	530	580	470	916	500	350	400
050-050-250	50	530	580	470	916	500	350	400
065-065-160	65	650	740	600	1153	530	390	420
065-065-250	65	650	740	600	1153	530	390	420
080-080-160	80	790	880	720	1385	560	400	460
080-080-200	80	790	880	720	1385	560	400	460
080-080-250	80	790	880	720	1385	560	400	460
100-100-125	100	1050	1180	950	1843	620	440	510
100-100-160	100	1050	1180	950	1843	620	440	510
100-100-200	100	1050	1180	950	1843	620	440	510
100-100-250	100	1050	1180	950	1843	620	440	510
125-125-160	125	1250	1400	1120	2186	740	530	670
125-125-200	125	1250	1400	1120	2186	740	530	670
125-125-250	125	1250	1400	1120	2186	740	530	670
150-150-200	150	1600	1750	1400	2754	880	610	720
150-150-250	150	1600	1750	1400	2754	880	610	720
200-200-250	200	2100	2350	1900	3680	1150	800	930
200-200-315	200	2100	2350	1900	3680	1150	800	930

5.3.3 Vacuum balance line

	<b>NOTE</b>
	Where fluid has to be pumped out of a vessel under vacuum, installing a vacuum balance line is recommended.

The following rules apply to vacuum balance lines:

- Minimum nominal line diameter 25 mm.
- The line extends above the highest permissible fluid level in the vessel.

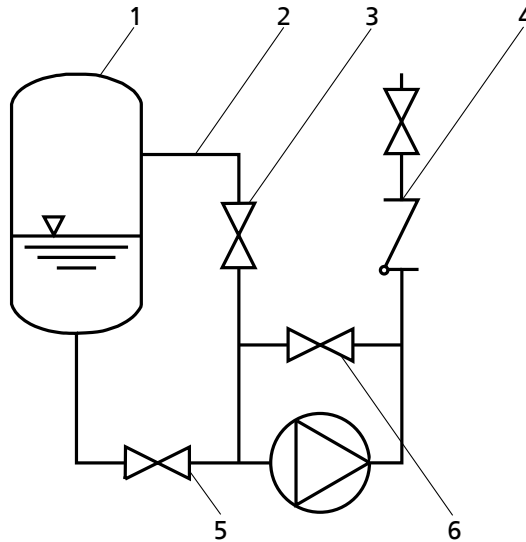






Fig. 7: Vacuum balance system

1	Vessel under vacuum	2	Vacuum balance line
3	Shut-off element	4	Swing check valve
5	Main shut-off element	6	Vacuum-tight shut-off element


	<b>NOTE</b>
	An additional line fitted with a shut-off valve (from the pump discharge nozzle to the balance line) facilitates venting of the pump before start-up.


5.3.4 Auxiliary connections


 	<b>⚠ DANGER</b>
	<p>Risk of potentially explosive atmosphere by mixing of incompatible fluids in the auxiliary piping</p> <p>Risk of burns!</p> <p>Explosion hazard!</p> <p>▷ Make sure that the barrier fluid or quench liquid are compatible with the fluid handled.</p>

	<p><b>⚠ WARNING</b></p>
	<p><b>Failure to use or incorrect use of auxiliary connections (e.g. barrier fluid, flushing liquid, etc.)</b>            Risk of injury from escaping fluid!            Risk of burns!            Malfunction of the pump!</p> <ul style="list-style-type: none"> <li>▷ Refer to the general arrangement drawing, the piping layout and pump markings (if any) for the quantity, dimensions and locations of auxiliary connections.</li> <li>▷ Use the auxiliary connections provided.</li> </ul>


**5.4 Casing/insulation**

	<p><b>⚠ DANGER</b></p>
	<p><b>Explosive atmosphere forming due to insufficient venting</b>            Explosion hazard!</p> <ul style="list-style-type: none"> <li>▷ Make sure the space between the casing cover/discharge cover and the motor flange is sufficiently vented.</li> <li>▷ Do not cover the perforated holes of the contact guards at the drive lantern (e.g. by insulation).</li> </ul>

	<p><b>⚠ WARNING</b></p>
	<p><b>The volute casing and casing/discharge cover take on the same temperature as the fluid handled</b>            Risk of burns!</p> <ul style="list-style-type: none"> <li>▷ Insulate the volute casing.</li> <li>▷ Fit protective equipment.</li> </ul>

	<p><b>CAUTION</b></p>
	<p><b>Heat build-up inside the drive lantern</b>            Damage to the bearing!</p> <ul style="list-style-type: none"> <li>▷ Never insulate the casing cover and the drive lantern.</li> </ul>

**5.5 Electrical connection**

	<p><b>⚠ DANGER</b></p>
	<p><b>Electrical connection work by unqualified personnel</b>            Risk of fatal injury due to electric shock!</p> <ul style="list-style-type: none"> <li>▷ Always have the electrical connections installed by a trained and qualified electrician.</li> <li>▷ Observe regulations IEC 60364 and, for explosion-proof models, EN 60079.</li> </ul>

	<b>⚠ WARNING</b>
	<p><b>Incorrect connection to the mains</b>          Damage to the mains network, short circuit!</p> <p>▷ Observe the technical specifications of the local energy supply companies.</p>

1. Check the available mains voltage against the data on the motor name plate.
2. Select an appropriate starting method.

	<b>NOTE</b>
	<p>A motor protection device is recommended.</p>

**5.5.1 Setting the time relay**

	<b>CAUTION</b>
	<p><b>Switchover between star and delta on three-phase motors with star-delta starting takes too long.</b>          Damage to the pump (set)!</p> <p>▷ Keep switch-over intervals between star and delta as short as possible.</p>

**Table 11:** Time relay settings for star-delta starting:

Motor rating [kW]	Y time to be set [s]
≤ 30	< 3
> 30	< 5

**5.5.2 Earthing**





	<b>⚠ DANGER</b>
	<p><b>Electrostatic charging</b>          Explosion hazard!          Fire hazard!          Damage to the pump set!</p> <p>▷ Connect the PE conductor to the earthing terminal provided.</p>

**5.5.3 Connecting the motor**

	<b>NOTE</b>
	<p>In compliance with IEC 60034-8, three-phase motors are always wired for clockwise rotation (looking at the motor shaft stub).          The pump's direction of rotation is indicated by an arrow on the pump.</p>

1. Match the motor's direction of rotation to that of the pump.
2. Observe the manufacturer's product literature supplied with the motor.

### 5.6 Checking the direction of rotation

	<p><b>⚠ DANGER</b></p> <p><b>Temperature increases resulting from contact between rotating and stationary components</b>  Explosion hazard!  Damage to the pump set!</p> <ul style="list-style-type: none"> <li>▶ Never check the direction of rotation by starting up the unfilled pump.</li> </ul>
	<p><b>⚠ WARNING</b></p> <p><b>Hands inside the pump casing</b>  Risk of injuries, damage to the pump!</p> <ul style="list-style-type: none"> <li>▶ Always disconnect the pump set from the power supply and secure it against unintentional start-up before inserting your hands or other objects into the pump.</li> </ul>
	<p><b>CAUTION</b></p> <p><b>Incorrect direction of rotation with non-reversible mechanical seal</b>  Damage to the mechanical seal and leakage!</p> <ul style="list-style-type: none"> <li>▶ Check the direction of rotation by starting the pump set and stopping it again immediately.</li> </ul>
	<p><b>CAUTION</b></p> <p><b>Drive and pump running in the wrong direction of rotation</b>  Damage to the pump!</p> <ul style="list-style-type: none"> <li>▶ Refer to the arrow indicating the direction of rotation on the pump.</li> <li>▶ Check the direction of rotation. If required, check the electrical connection and correct the direction of rotation.</li> </ul>

The correct direction of rotation of motor and pump is clockwise (seen from the motor end).

1. Start the pump set and stop it again immediately to determine the motor's direction of rotation.
2. Check the direction of rotation.  
The motor's direction of rotation must match the arrow indicating the direction of rotation on the pump.
3. If the pump runs in the wrong direction of rotation, check the electrical connection of the motor and the control system, if necessary.

## 6 Commissioning/Start-up/Shutdown

### 6.1 Commissioning/Start-up

#### 6.1.1 Prerequisites for commissioning/start-up

Before commissioning/starting up the pump set, make sure that the following conditions are met:

- The pump set has been properly connected to the power supply and is equipped with all protection devices. (⇒ Section 5.5, Page 27)
- The pump has been primed with the fluid to be handled. The pump has been vented. (⇒ Section 6.1.4, Page 30)
- The direction of rotation has been checked. (⇒ Section 5.6, Page 29)
- All auxiliary connections required are connected and operational.
- The lubricants have been checked. (⇒ Section 6.1.2, Page 30)
- After prolonged shutdown of the pump (set), the activities required for returning the equipment to service have been carried out. (⇒ Section 6.4, Page 35)
- The lock washers, if any, have been removed from the shaft groove.

#### 6.1.2 Filling in lubricants

Grease-lubricated bearings have been packed with grease at the factory.

#### 6.1.3 Checking the shaft seal

**Mechanical seal** The mechanical seal only leaks slightly or invisibly (as vapour) during operation. Mechanical seals are maintenance-free.

#### 6.1.4 Priming and venting the pump

	<p><b>⚠ DANGER</b></p>
	<p><b>Risk of potentially explosive atmosphere inside the pump</b> Explosion hazard!</p> <ul style="list-style-type: none"> <li>▷ The pump internals in contact with the fluid to be handled, including the seal chamber and auxiliary systems must be filled with the fluid to be handled at all times.</li> <li>▷ Provide sufficient inlet pressure.</li> <li>▷ Provide an appropriate monitoring system.</li> </ul>
	<p><b>⚠ DANGER</b></p>
	<p><b>Risk of potentially explosive atmosphere by mixing of incompatible fluids in the auxiliary piping</b> Risk of burns! Explosion hazard!</p> <ul style="list-style-type: none"> <li>▷ Make sure that the barrier fluid or quench liquid are compatible with the fluid handled.</li> </ul>
	<p><b>⚠ DANGER</b></p>
	<p><b>Shaft seal failure caused by insufficient lubrication</b> Hot or toxic fluid could escape! Damage to the pump!</p> <ul style="list-style-type: none"> <li>▷ Before starting up the pump set, vent the pump and suction line and prime both with the fluid to be handled.</li> </ul>

	<b>CAUTION</b>
	<p><b>Increased wear due to dry running</b> Damage to the pump set!</p> <ul style="list-style-type: none"> <li>▷ Never operate the pump set without liquid fill.</li> <li>▷ Never close the shut-off element in the suction line and/or supply line during pump operation.</li> </ul>

1. Vent the pump and suction line and prime both with the fluid to be handled. Connection 6D can be used for venting (see drawing of auxiliary connections). For vertical installation with the motor on top use connection 5B (if any) for venting (see drawing of auxiliary connections).
2. Fully open the shut-off element in the suction line.
3. Fully open all auxiliary feed lines (barrier fluid, flushing liquid, etc.), if any.
4. Open the shut-off valve (3), if any, in the vacuum balance line (2) and close the vacuum-tight shut-off valve (6), if any. (⇒ Section 5.3.3, Page 26)

	<b>⚠ WARNING</b>
	<p><b>Hot water escaping under pressure when the vent plug is opened</b> Risk of electric shock! Risk of scalding!</p> <ul style="list-style-type: none"> <li>▷ Protect the electric components against escaping fluid.</li> <li>▷ Wear protective clothing (e.g. gloves).</li> </ul>

	<b>NOTE</b>
	<p>For design-inherent reasons some unfilled volume in the hydraulic system cannot be excluded after the pump has been primed for commissioning/start-up. However, once the motor is started up the pumping effect will immediately fill this volume with the fluid handled.</p>

**6.1.5 Start-up**

	<b>⚠ DANGER</b>
	<p><b>Non-compliance with the permissible pressure and temperature limits if the pump is operated with the suction and/or discharge line closed.</b> Explosion hazard! Hot or toxic fluids escaping!</p> <ul style="list-style-type: none"> <li>▷ Never operate the pump with the shut-off elements in the suction line and/or discharge line closed.</li> <li>▷ Only start up the pump set with the discharge-side shut-off element slightly or fully open.</li> </ul>

	<b>⚠ DANGER</b>
	<p><b>Excessive temperatures due to dry running or excessive gas content in the fluid handled</b> Explosion hazard! Damage to the pump set!</p> <ul style="list-style-type: none"> <li>▷ Never operate the pump set without liquid fill.</li> <li>▷ Prime the pump as per operating instructions.</li> <li>▷ Always operate the pump within the permissible operating range.</li> </ul>

	<b>CAUTION</b>
	<p><b>Abnormal noises, vibrations, temperatures or leakage</b>            Damage to the pump!</p> <ul style="list-style-type: none"> <li>▷ Switch off the pump (set) immediately.</li> <li>▷ Eliminate the causes before returning the pump set to service.</li> </ul>

- ✓ The system piping has been cleaned.
- ✓ The pump, suction line and inlet tank, if any, have been vented and primed with the fluid to be pumped.
- ✓ The lines for priming and venting have been closed.

	<b>CAUTION</b>
	<p><b>Start-up against open discharge line</b>            Motor overload!</p> <ul style="list-style-type: none"> <li>▷ Make sure the motor has sufficient power reserves.</li> <li>▷ Use a soft starter.</li> <li>▷ Use speed control.</li> </ul>

1. Fully open the shut-off element in the suction head/suction lift line.
2. Close or slightly open the shut-off element in the discharge line.
3. Start up the motor.
4. Immediately after the pump has reached full rotational speed, slowly open the shut-off element in the discharge line and adjust it to comply with the duty point.

**6.1.6 Shutdown**

	<b>CAUTION</b>
	<p><b>Heat build-up inside the pump</b>            Damage to the shaft seal!</p> <ul style="list-style-type: none"> <li>▷ Depending on the type of installation, the pump set requires sufficient after-run time – with the heat source switched off – until the fluid handled has cooled down.</li> </ul>

	<b>CAUTION</b>
	<p><b>Backflow of fluid handled is not permitted</b>            Motor or winding damage! Mechanical seal damage!</p> <ul style="list-style-type: none"> <li>▷ Close the shut-off elements.</li> </ul>

- ✓ The shut-off element in the suction line is and remains open.
1. Close the shut-off element in the discharge line.
  2. Switch off the motor and make sure the pump set runs down smoothly to a standstill.

	<b>NOTE</b>
	<p>If the discharge line is equipped with a non-return or check valve, the shut-off element may remain open provided that the system conditions and system regulations are considered and observed.</p>



For prolonged shutdown periods:

1. Close the shut-off element in the suction line.
2. Close any auxiliary lines.  
If the fluid to be handled is fed in under vacuum, also supply the shaft seal with barrier fluid during standstill.

	<b>CAUTION</b>
	<p><b>Risk of freezing during prolonged pump shutdown periods</b> Damage to the pump!</p> <ul style="list-style-type: none"> <li>▷ Drain the pump and the cooling/heating chambers (if any) or otherwise protect them against freezing.</li> </ul>

### 6.2 Operating limits

	<b>! DANGER</b>
	<p><b>Non-compliance with operating limits for pressure, temperature, fluid handled and speed</b> Explosion hazard! Hot or toxic fluid could escape!</p> <ul style="list-style-type: none"> <li>▷ Comply with the operating data indicated in the data sheet.</li> <li>▷ Never use the pump for handling fluids it is not designed for.</li> <li>▷ Avoid prolonged operation against a closed shut-off element.</li> <li>▷ Never operate the pump at temperatures, pressures or rotational speeds exceeding those specified in the data sheet or on the name plate unless the written consent of the manufacturer has been obtained.</li> </ul>

	<b>! DANGER</b>
	<p><b>Formation of a potentially explosive atmosphere inside the pump</b> Explosion hazard!</p> <ul style="list-style-type: none"> <li>▷ When draining tanks take suitable measures to prevent dry running of the pump (e.g. fill level monitoring).</li> </ul>

#### 6.2.1 Ambient temperature

	<b>CAUTION</b>
	<p><b>Operation outside the permissible ambient temperature</b> Damage to the pump (set)!</p> <ul style="list-style-type: none"> <li>▷ Observe the specified limits for permissible ambient temperatures.</li> </ul>

Observe the following parameters and values during operation:

**Table 12:** Permissible ambient temperatures

Permissible ambient temperature	Value
Maximum	40 °C
Minimum	See data sheet.

## 6.2.2 Frequency of starts

	<b>⚠ DANGER</b>
	<p><b>Excessive surface temperature of the motor</b>                  Explosion hazard!                  Damage to the motor!</p> <p>▷ In case of explosion-proof motors, observe the frequency of starts specified in the manufacturer's product literature.</p>

The frequency of starts is usually determined by the maximum temperature increase of the motor. This largely depends on the power reserves of the motor in steady-state operation and on the starting conditions (DOL, star-delta, moments of inertia, etc). If the starts are evenly spaced over the period indicated, the following limits serve as orientation for start-up with the discharge-side gate valve slightly open:

Table 13: Frequency of starts

Impeller material	Maximum frequency of starts
	[Start-ups/hour]
G (JL1040/ A48CL35B)	15
B (CC480K-GS/B30 C90700)	6
C (1.4408/ A743 GR CF8M)	

	<b>CAUTION</b>
	<p><b>Re-starting while motor is still running down</b>                  Damage to the pump (set)!</p> <p>▷ Do not re-start the pump set before the pump rotor has come to a standstill.</p>

## 6.2.3 Fluid handled

## 6.2.3.1 Flow rate

Table 14: Flow rate

Temperature range (t)	Minimum flow rate	Maximum flow rate
-30 to +70 °C	≈ 15 % of $Q_{opt}^{4)}$	See hydraulic characteristic curves
> 70 to +140 °C	≈ 25 % of $Q_{opt}^{4)}$	

The calculation formula below can be used to check if an additional heat build-up could lead to a dangerous temperature increase at the pump surface.

$$T_o = T_f + \Delta \vartheta$$

$$\Delta \vartheta = \frac{g \times H}{c \times \eta} \times (1 - \eta)$$


Table 15: Key

Symbol	Description	Unit
c	Specific heat capacity	J/kg K
g	Gravitational constant	m/s <sup>2</sup>
H	Pump discharge head	m
T <sub>f</sub>	Fluid temperature	°C
T <sub>o</sub>	Temperature at the casing surface	°C
η	Pump efficiency at duty point	-
Δϑ	Temperature difference	K

4) Best efficiency point

### 6.2.3.2 Density of the fluid handled

The pump input power changes in proportion to the density of the fluid handled.

	<b>CAUTION</b>
	<p><b>Impermissibly high density of the fluid handled</b> Motor overload!</p> <ul style="list-style-type: none"> <li>▷ Observe the information about fluid density in the data sheet.</li> <li>▷ Make sure the motor has sufficient power reserves.</li> </ul>

### 6.2.3.3 Abrasive fluids

The fluid handled may contain abrasive particles up to a maximum content of 5 g/dm<sup>3</sup> and a maximum particle size of 0.5 mm. When the pump handles fluids containing abrasive substances, increased wear of the hydraulic system and the shaft seal are to be expected. In this case, reduce the commonly recommended inspection intervals.

## 6.3 Shutdown/storage/preservation

### 6.3.1 Measures to be taken for shutdown

#### The pump (set) remains installed

- ✓ Sufficient fluid is supplied for the operation check run of the pump.
  1. For prolonged shutdown periods, start up the pump (set) regularly between once a month and once every three months for approximately five minutes.
    - ⇒ This will prevent the formation of deposits within the pump and the pump intake area.

#### The pump (set) is removed from the pipe and stored



- ✓ The pump has been properly drained. (⇒ Section 7.3, Page 41)
- ✓ The safety instructions for dismantling the pump have been observed. (⇒ Section 7.4.1, Page 41)
  1. Spray-coat the inside wall of the pump casing and, in particular, the impeller clearance areas with a preservative.
  2. Spray the preservative through the suction nozzle and discharge nozzle. It is advisable to then close the pump nozzles (e.g. with plastic caps).
  3. Oil or grease all exposed machined parts and surfaces of the pump (with silicone-free oil or grease, food-approved if required) to protect them against corrosion.
    - Observe the additional instructions on preservation. (⇒ Section 3.3, Page 13)

If the pump set is to be stored temporarily, only preserve the wetted components made of low-alloy materials. Commercially available preservatives can be used for this purpose. Observe the manufacturer's instructions for application/removal.

### 6.4 Returning to service

For returning the equipment to service observe the sections on commissioning/start-up and the operating limits. (⇒ Section 6.1, Page 30) (⇒ Section 6.2, Page 33)

In addition, carry out all servicing/maintenance operations before returning the pump (set) to service. (⇒ Section 7, Page 37)

	<div style="background-color: #f4a460; padding: 2px;"><b>⚠ WARNING</b></div> <p><b>Failure to re-install or re-activate protective devices</b>          Risk of injury from moving parts or escaping fluid!</p> <ul style="list-style-type: none"> <li>▷ As soon as the work is completed, re-install and re-activate any safety-relevant devices and protective devices.</li> </ul>
	<div style="background-color: #0070c0; color: white; padding: 2px;"><b>NOTE</b></div> <p>If the pump has been out of service for more than one year, replace all elastomer seals.</p>

## 7 Servicing/Maintenance

### 7.1 Safety regulations

	<b>DANGER</b>
	<p><b>Improper cleaning of coated pump surfaces</b> Explosion hazard by electrostatic discharge!</p> <ul style="list-style-type: none"> <li>▷ When cleaning coated pump surfaces in atmospheres of Explosion group IIC, use suitable anti-static equipment.</li> </ul>

	<b>DANGER</b>
	<p><b>Sparks produced during servicing work</b> Explosion hazard!</p> <ul style="list-style-type: none"> <li>▷ Observe the safety regulations in force at the place of installation!</li> <li>▷ Always perform maintenance work at an explosion-proof pump (set) outside of potentially explosive atmospheres.</li> </ul>

 	<b>DANGER</b>
	<p><b>Improperly serviced pump set</b> Explosion hazard! Damage to the pump set!</p> <ul style="list-style-type: none"> <li>▷ Service the pump set regularly.</li> <li>▷ Prepare a maintenance schedule with special emphasis on lubricants, shaft seal and coupling.</li> </ul>

The operator ensures that maintenance, inspection and installation is performed by authorised, qualified specialist personnel who are thoroughly familiar with the manual.

	<b>WARNING</b>
	<p><b>Unintentional starting of the pump set</b> Risk of injury by moving components and shock currents!</p> <ul style="list-style-type: none"> <li>▷ Ensure that the pump set cannot be started unintentionally.</li> <li>▷ Always make sure the electrical connections are disconnected before carrying out work on the pump set.</li> </ul>

	<b>WARNING</b>
	<p><b>Fluids handled, consumables and supplies which are hot and/or pose a health hazard</b> Risk of injury!</p> <ul style="list-style-type: none"> <li>▷ Observe all relevant laws.</li> <li>▷ When draining the fluid take appropriate measures to protect persons and the environment.</li> <li>▷ Decontaminate pumps which handle fluids posing a health hazard.</li> </ul>

	<p><b>⚠ WARNING</b></p>
	<p><b>Insufficient stability</b>            Risk of crushing hands and feet!</p> <ul style="list-style-type: none"> <li>▷ During assembly/dismantling, secure the pump (set)/pump parts to prevent tilting or tipping over.</li> </ul>

A regular maintenance schedule will help avoid expensive repairs and contribute to trouble-free, reliable operation of the pump, pump set and pump parts with a minimum of servicing/maintenance expenditure and work.

	<p><b>NOTE</b></p>
	<p>All maintenance work, service work and installation work can be carried out by KSB Service or authorised workshops. For contact details please refer to the enclosed "Addresses" booklet or visit "<a href="http://www.ksb.com/contact">www.ksb.com/contact</a>" on the Internet.</p>

Never use force when dismantling and reassembling the pump set.



## 7.2 Servicing/Inspection

### 7.2.1 Supervision of operation

	<p><b>⚠ DANGER</b></p>
	<p><b>Risk of potentially explosive atmosphere inside the pump</b>            Explosion hazard!</p> <ul style="list-style-type: none"> <li>▷ The pump internals in contact with the fluid to be handled, including the seal chamber and auxiliary systems must be filled with the fluid to be handled at all times.</li> <li>▷ Provide sufficient inlet pressure.</li> <li>▷ Provide an appropriate monitoring system.</li> </ul>



 	<p><b>⚠ DANGER</b></p>
	<p><b>Incorrectly serviced shaft seal</b>            Explosion hazard!            Hot, toxic fluid escaping!            Damage to the pump set!            Risk of burns!            Fire hazard!</p> <ul style="list-style-type: none"> <li>▷ Regularly service the shaft seal.</li> </ul>

 	<p><b>⚠ DANGER</b></p>
	<p><b>Excessive temperatures as a result of bearings running hot or defective bearing seals</b>            Explosion hazard!            Fire hazard!            Damage to the pump set!</p> <ul style="list-style-type: none"> <li>▷ Regularly check the rolling element bearings for running noises.</li> </ul>



	<b>CAUTION</b>
	<p><b>Increased wear due to dry running</b> Damage to the pump set!</p> <ul style="list-style-type: none"> <li>▷ Never operate the pump set without liquid fill.</li> <li>▷ Never close the shut-off element in the suction line and/or supply line during pump operation.</li> </ul>
	<b>CAUTION</b>
	<p><b>Impermissibly high temperature of fluid handled</b> Damage to the pump!</p> <ul style="list-style-type: none"> <li>▷ Prolonged operation against a closed shut-off element is not permitted (heating up of the fluid).</li> <li>▷ Observe the temperature limits in the data sheet and in the section on operating limits. (⇒ Section 6.2, Page 33)</li> </ul>

While the pump is in operation, observe and check the following:

- The pump must run quietly and free from vibrations at all times.
- Check the shaft seal. (⇒ Section 6.1.3, Page 30)
- Check the static sealing elements for leakage.
- Check the rolling element bearings for running noises.  
Vibrations, noise and an increase in current input occurring during unchanged operating conditions indicate wear.
- Monitor the correct functioning of any auxiliary connections.
- Monitor the stand-by pump.  
To make sure that stand-by pumps are ready for operation, start them up once a week.
- Monitor the bearing temperature.  
The bearing temperature must not exceed 90 °C (measured on the motor housing).

	<b>CAUTION</b>
	<p><b>Operation outside the permissible bearing temperature</b> Damage to the pump!</p> <ul style="list-style-type: none"> <li>▷ The bearing temperature of the pump (set) must never exceed 90 °C (measured on the outside of the motor housing).</li> </ul>
	<b>NOTE</b>
	<p>After commissioning, increased temperatures may occur at grease-lubricated rolling element bearings due to the running-in process. The final bearing temperature is only reached after a certain period of operation (up to 48 hours depending on the conditions).</p>

7.2.2 Inspection work

	<p><b>! DANGER</b></p> <p><b>Excessive temperatures caused by friction, impact or frictional sparks</b>  Explosion hazard!  Fire hazard!  Damage to the pump set!</p> <ul style="list-style-type: none"> <li>▷ Regularly check the cover plates, plastic components and other guards of rotating parts for deformation and sufficient distance from rotating parts.</li> </ul>
	<p><b>! DANGER</b></p> <p><b>Static charging due to insufficient potential equalisation</b>  Explosion hazard!</p> <ul style="list-style-type: none"> <li>▷ Make sure that the connection between pump and baseplate is electrically conductive.</li> </ul>


7.2.2.1 Checking the clearances

For checking the clearances remove the impeller, if required.  
If the clearance is larger than permitted (see the following table), fit new casing wear ring 502.01 and, if applicable, 502.02.  
The clearances given refer to the diameter.

**Table 16:** Clearances between impeller and casing and/or between impeller and casing cover

Impeller material	Permissible clearance	
	New	Maximum
G (JL1040/ A48CL35B) B (CC480K-GS/B30 C90700)	0.3 mm	0.9 mm
C (1.4408/ A743 GR CF8M)	0.5 mm	1.5 mm

7.2.2.2 Cleaning filters

	<p><b>CAUTION</b></p> <p><b>Insufficient inlet pressure due to clogged filter in the suction line</b>  Damage to the pump!</p> <ul style="list-style-type: none"> <li>▷ Monitor contamination of filter with suitable means (e.g. differential pressure gauge).</li> <li>▷ Clean filter at appropriate intervals.</li> </ul>
---	--



### 7.3 Drainage/cleaning

	<b>WARNING</b>
	<p><b>Fluids handled, consumables and supplies which are hot and/or pose a health hazard</b></p> <p>Hazard to persons and the environment!</p> <ul style="list-style-type: none"> <li>▸ Collect and properly dispose of flushing fluid and any fluid residues.</li> <li>▸ Wear safety clothing and a protective mask if required.</li> <li>▸ Observe all legal regulations on the disposal of fluids posing a health hazard.</li> </ul>

1. Use connection 6B to drain the fluid handled (see drawing of auxiliary connections).
2. Always flush the system if it has been used for handling noxious, explosive, hot or other hazardous fluids.  
Always flush and clean the pump before transporting it to the workshop.  
Provide a certificate of decontamination for the pump. (⇒ Section 11, Page 60)

### 7.4 Dismantling the pump set

#### 7.4.1 General information/Safety regulations

	<b>DANGER</b>
	<p><b>Insufficient preparation of work on the pump (set)</b></p> <p>Risk of injury!</p> <ul style="list-style-type: none"> <li>▸ Properly shut down the pump set. (⇒ Section 6.1.6, Page 32)</li> <li>▸ Close the shut-off elements in the suction line and discharge line.</li> <li>▸ Drain the pump and release the pump pressure. (⇒ Section 7.3, Page 41)</li> <li>▸ Shut off any auxiliary feed lines.</li> <li>▸ Allow the pump set to cool down to ambient temperature.</li> </ul>
	<b>WARNING</b>
	<p><b>Unqualified personnel performing work on the pump (set)</b></p> <p>Risk of injury!</p> <ul style="list-style-type: none"> <li>▸ Always have repair work and maintenance work performed by specially trained, qualified personnel.</li> </ul>
	<b>WARNING</b>
	<p><b>Hot surface</b></p> <p>Risk of injury!</p> <ul style="list-style-type: none"> <li>▸ Allow the pump set to cool down to ambient temperature.</li> </ul>
	<b>WARNING</b>
	<p><b>Improper lifting/moving of heavy assemblies or components</b></p> <p>Personal injury and damage to property!</p> <ul style="list-style-type: none"> <li>▸ Use suitable transport devices, lifting equipment and lifting tackle to move heavy assemblies or components.</li> </ul>


Always observe the safety instructions and information. (⇒ Section 7.1, Page 37)

For any work on the motor, observe the instructions of the relevant motor manufacturer.

For dismantling and reassembly observe the exploded views and the general assembly drawing.

In case of damage you can always contact KSB Service.


	<b>NOTE</b>
	<p>All maintenance work, service work and installation work can be carried out by KSB Service or authorised workshops. For contact details please refer to the enclosed "Addresses" booklet or visit "<a href="http://www.ksb.com/contact">www.ksb.com/contact</a>" on the Internet.</p>

	<b>NOTE</b>
	<p>After a prolonged period of operation the individual components may be hard to pull off the shaft. If this is the case, use a brand name penetrating agent and/or - if possible - an appropriate puller.</p>

#### 7.4.2 Preparing the pump set

1. De-energise the pump set and secure it against unintentional start-up.
2. Reduce pressure in the piping by opening a consumer installation.
3. Disconnect and remove all auxiliary pipework.


#### 7.4.3 Dismantling the complete pump set

	<b>NOTE</b>
	<p>The pump casing can remain installed in the piping for further dismantling.</p>

✓ The notes and steps stated (⇒ Section 7.4.1, Page 41) into (⇒ Section 7.4.2, Page 42) have been observed/carried out.


1. Disconnect the discharge and suction nozzles from the piping.
2. Depending on the pump/motor size, remove the supports from the pump set.
3. Remove the complete pump set from the piping.

#### 7.4.4 Removing the motor

	<b>WARNING</b>
	<p><b>Motor tilting</b> Risk of crushing hands and feet!</p> <ul style="list-style-type: none"> <li>▷ Suspend or support the motor to prevent it from tilting.</li> </ul>

✓ The notes and steps stated in (⇒ Section 7.4.1, Page 41) to (⇒ Section 7.4.3, Page 42) have been observed/carried out.



1. Remove the screws on cover plates 68-3, press the cover plates slightly together and remove from drive lantern 341.
2. Undo hexagon nuts 920.11.
3. Undo hexagon head bolts 901.50.

	<b>CAUTION</b>
	<p><b>Back pull-out unit knocking against the pump casing</b> Damage to the shaft/back pull-out unit!</p> <ul style="list-style-type: none"> <li>▷ With the motor removed, push lock washers 931.95 into the shaft groove.</li> </ul>

4. Insert both lock washers 931.95 into the groove in shaft 210.

5. Tighten hexagon head bolts 901.50.
6. Undo socket head cap screw 914.24.
7. Remove the motor.

#### 7.4.5 Removing the back pull-out unit

	 <b>WARNING</b>
	<p><b>Back pull-out unit tilting</b> Risk of squashing hands and feet!</p> <ul style="list-style-type: none"> <li>▸ Suspend or support the back pull-out unit at the pump end.</li> </ul>

- ✓ The notes and steps stated in (⇒ Section 7.4.1, Page 41) to (⇒ Section 7.4.4, Page 42) have been observed/carried out.
1. If required, suspend or support the back pull-out unit to prevent it from tipping over.
  2. Undo hexagon nut 920.15 (on variant with bolted discharge cover) or 920.01 (on variant with clamped discharge cover) at the volute casing.
  3. Pull the back pull-out unit out of the volute casing.
  4. Remove and dispose of gasket 400.10.
  5. Place the back pull-out unit on a clean and level surface.

#### 7.4.6 Removing the impeller




- ✓ The notes and steps stated in (⇒ Section 7.4.1, Page 41) to (⇒ Section 7.4.5, Page 43) have been observed/carried out.
  - ✓ The back pull-out unit has been placed in a clean and level assembly area.
1. Undo impeller nut 920.95 (right-hand thread).  
Take washer 930.95 and disc 550.95 off the impeller hub.
  2. Remove impeller 230 with an impeller removal tool.
  3. Place impeller 230 on a clean and level surface.
  4. Remove key 940.01 from shaft 210.

#### 7.4.7 Removing the mechanical seal

- ✓ The notes and steps stated in (⇒ Section 7.4.1, Page 41) to (⇒ Section 7.4.6, Page 43) have been observed/carried out.
  - ✓ The back pull-out unit has been placed in a clean and level assembly area.
1. Remove shaft sleeve 523 with the rotating assembly of the mechanical seal (primary ring) from shaft 210.
  2. Remove the rotating assembly of the mechanical seal (primary ring) from shaft sleeve 523.
  3. Undo hexagon nuts 920.15 and socket head cap screw 914.22, if any, on drive lantern 341.
  4. Remove casing cover 161 from drive lantern 341.
  5. Remove the stationary assembly of the mechanical seal (mating ring) from casing cover 161.
  6. Remove and dispose of gasket 400.75.

## 7.5 Reassembling the pump set

### 7.5.1 General information/Safety regulations

	<div style="background-color: #e67e22; color: white; padding: 5px;"><b>⚠ DANGER</b></div> <p><b>Wrong selection of motor</b> Explosion hazard!</p> <ul style="list-style-type: none"> <li>▷ Use an original motor or a motor of identical design from the same manufacturer.</li> <li>▷ The permissible temperature limits at the motor flange and motor shaft must be higher than the temperatures generated by the pump. (Contact KSB for temperatures).</li> </ul>
	<div style="background-color: #f1c40f; color: white; padding: 5px;"><b>⚠ WARNING</b></div> <p><b>Improper lifting/moving of heavy assemblies or components</b> Personal injury and damage to property!</p> <ul style="list-style-type: none"> <li>▷ Use suitable transport devices, lifting equipment and lifting tackle to move heavy assemblies or components.</li> </ul>
	<div style="background-color: #f1c40f; color: white; padding: 5px;"><b>CAUTION</b></div> <p><b>Improper reassembly</b> Damage to the pump!</p> <ul style="list-style-type: none"> <li>▷ Reassemble the pump (set) in accordance with the general rules of sound engineering practice.</li> <li>▷ Use original spare parts only.</li> </ul>

**Sequence** Always re-assemble the pump in accordance with the corresponding general assembly drawing or exploded view.

**Sealing elements** Check O-rings for any damage and replace by new O-rings, if required.  
Always use new gaskets. Make sure that new gaskets have the same thickness as the old ones.  
Always fit gaskets of asbestos-free materials or graphite without using lubricants (e.g. copper grease, graphite paste).

**Assembly adhesives** Avoid the use of assembly adhesives, if possible.  
Should an assembly adhesive be required after all, use a commercially available contact adhesive (e.g. Pattex) or sealant (e.g. HYLOMAR or Eppele 33).  
Only apply adhesive at selected points and in thin layers.  
Never use quick-setting adhesives (cyanoacrylate adhesives).  
Coat the locating surfaces of the individual components with graphite or similar before reassembly.

**Tightening torques** For reassembly, tighten all screws and bolts as specified in this manual.

### 7.5.2 Installing the mechanical seal

#### Installing the mechanical seal

The following rules must be observed when installing the mechanical seal:

- Work cleanly and accurately.
- Only remove the protective wrapping of the contact faces immediately before installation takes place.
- Prevent any damage to the sealing surfaces or O-rings.
- ✓ The notes and steps stated in (⇒ Section 7.5.1, Page 44) have been observed/ carried out.
- ✓ The bearing assembly as well as the individual parts are kept in a clean and level assembly area.
- ✓ All dismantled parts have been cleaned and checked for wear.
- ✓ Any damaged or worn parts have been replaced by original spare parts.
- ✓ The sealing surfaces have been cleaned.
  1. Clean shaft sleeve 523, and touch up any score marks or scratches with a polishing cloth, if necessary.  
If score marks or scratches are still visible, fit new shaft sleeve 523.
  2. Slide shaft sleeve 523 with new gasket 400.75 onto shaft 210.
  3. Clean the mating ring location in casing cover 161.

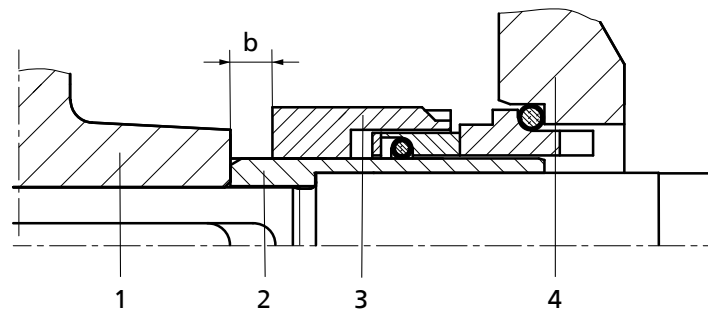
	<b>CAUTION</b>
	<p><b>Elastomers in contact with oil/grease</b> Shaft seal failure!</p> <ul style="list-style-type: none"> <li>▷ Use water as assembly lubricant.</li> <li>▷ Never use oil or grease as assembly lubricant.</li> </ul>

4. Carefully insert the mating ring. Make sure to apply pressure evenly.
5. **On variants with a bolted casing cover** undo forcing screws 901.31 without removing them.
6. Place casing cover 161 into the locating fit of drive lantern 341.
7. Fit and tighten hexagon nuts 920.01 and/or 920.15, if any.

	<b>NOTE</b>
	<p>To reduce friction forces when assembling the seal, wet the shaft sleeve and the location of the stationary ring with water.</p>

8. Fit the rotating assembly of the mechanical seal (primary ring) on shaft sleeve 523.

Observe the following installation dimension  $b$  for mechanical seals with installation length  $L_{ik}$  to EN 12756 (design KU):



**Fig. 8:** Installation dimension  $b$  of mechanical seal

1	Impeller	2	Shaft sleeve
3	Mechanical seal	4	Casing cover



**Table 17:** Installation dimensions of the mechanical seal

Shaft unit <sup>5)</sup>	Installation dimension b
25	7,5 mm
35	10 mm
55	15 mm

### 7.5.3 Fitting the impeller



- ✓ The notes and steps stated in (⇒ Section 7.5.1, Page 44) to (⇒ Section 7.5.2, Page 45) have been observed/carried out.
- ✓ The pre-assembled unit (motor, shaft, drive lantern, casing cover) as well as the individual parts have been placed in a clean and level assembly area.
- ✓ All dismantled parts have been cleaned and checked for wear.
- ✓ Any damaged or worn parts have been replaced by original spare parts.
- ✓ The sealing surfaces have been cleaned.
  1. Insert key 940.01 and slide impeller 230 onto shaft 210.
  2. Fasten impeller nut 920.95, safety device 930.95 and disc 550.95, if any. (⇒ Section 7.6, Page 48)

### 7.5.4 Installing the back pull-out unit

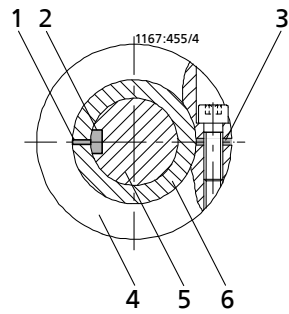
	 <b>WARNING</b>
	<p><b>Back pull-out unit tilting</b> Risk of squashing hands and feet!</p> <ul style="list-style-type: none"> <li>▷ Suspend or support the back pull-out unit at the pump end.</li> </ul>

- ✓ The notes and steps stated in (⇒ Section 7.5.1, Page 44) to (⇒ Section 7.5.3, Page 46) have been observed/carried out.
- ✓ Any damaged or worn parts have been replaced by original spare parts.
- ✓ The sealing surfaces have been cleaned.
  1. If required, suspend or support the back pull-out unit to prevent it from tipping over.
  2. Fit new gasket 400.10 into the recess of volute casing 102.
  3. **On variants with a bolted casing cover** undo forcing screws 901.31 without removing them.
  4. Push the back pull-out unit into volute casing 102.
  5. Tighten hexagon nut 920.15 (on variant with a bolted casing cover) or 920.01 (on variant with a clamped casing cover) at volute casing 102.

### 7.5.5 Mounting the motor

	 <b>DANGER</b>
	<p><b>Incorrect shaft connection</b> Explosion hazard!</p> <ul style="list-style-type: none"> <li>▷ Connect the shafts between pump and motor as described in this manual.</li> </ul>

5) Shaft unit see data sheet.

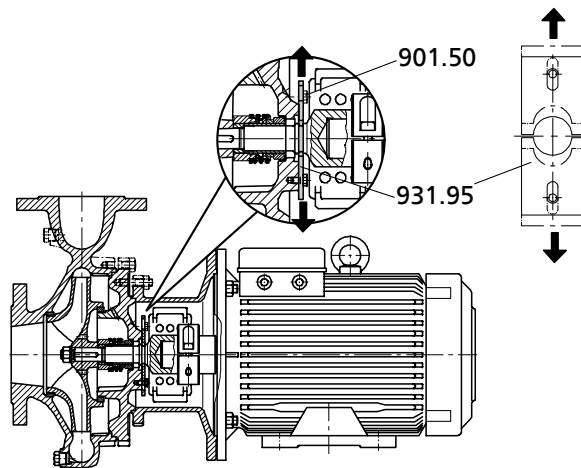


**Fig. 9:** Fitting the motor shaft stub on the shaft

1	Shaft slot	2	Keyway of the motor shaft end
3	Slot of the taper lock ring	4	Taper lock ring
5	Motor shaft	6	Shaft

✓ The notes and steps stated in (⇒ Section 7.5.1, Page 44) to have been observed/ carried out.

1. Fit the motor shaft stub on shaft 210 and make sure that the keyway of the motor shaft end aligns with the slot in shaft 210 and that both are located opposite the slot of taper lock ring 515 (see illustration: Fitting the motor shaft stub on the shaft).
2. Tighten hexagon socket head cap screws 914.24.
3. Undo hexagon head bolts 901.50.

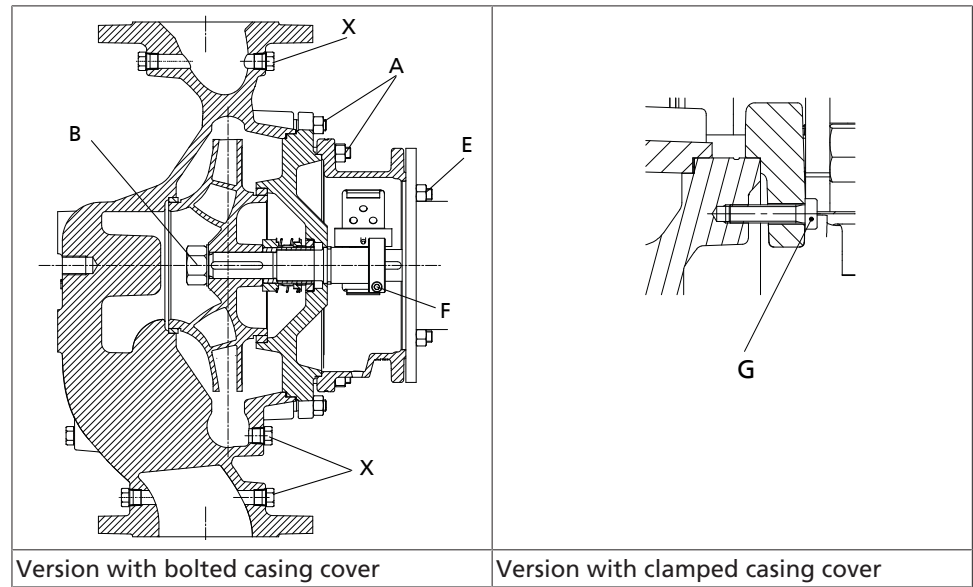


**Fig. 10:** Removing the lock washers

901.50	Hexagon head bolts	931.95	Lock washer
--------	--------------------	--------	-------------

4. Pull both lock washers 931.95 out of the groove in shaft 210.
5. Tighten hexagon head bolts 901.50.
6. Fit and tighten hexagon nuts 920.11.

## 7.6 Tightening torques

**Table 18: Tightening points**

**Table 19: Tightening torques for bolted/screwed connections at the pump**

Position	Thread	[Nm]
A	M12	55
	M16	130
B	M12 × 1,5	55
	M24 × 1,5	130
	M30 × 1,5	170
C	M8	20
	M10	38
D	M12	90
E	M8	20
	M10	38
	M12	55
	M16	130
F	M6	15
	M8	38
	M10	38
	M12	55
G	M6	5
X	1/8	25
	1/4	55
	3/8	80
	1/2	130
	3/4	220



## 7.7 Spare parts stock

### 7.7.1 Ordering spare parts

Always quote the following data when ordering replacement or spare parts:

- Order number
- Order item number
- Consecutive number
- Type series
- Size
- Material variant
- Seal code
- Year of construction

Refer to the name plate for all data.

Also specify the following data:

- Part number and description
- Quantity of spare parts
- Shipping address
- Mode of dispatch (freight, mail, express freight, air freight)

### 7.7.2 Recommended spare parts stock for 2 years' operation to DIN 24296

**Table 20:** Quantity of spare parts for recommended spare parts stock

Part No.	Description	Number of pumps (including stand-by pumps)						
		2	3	4	5	6 and 7	8 and 9	10 and more
210	Shaft	1	1	1	2	2	2	20 %
230	Impeller	1	1	1	2	2	2	20 %
	Gaskets (set)	4	6	8	8	9	10	100 %
433	Mechanical seal	1	1	2	2	2	3	25 %
502.1	Casing wear ring	2	2	2	3	3	4	50 %
502.2	Casing wear ring	2	2	2	3	3	4	50 %
523	Shaft sleeve	2	2	2	3	3	4	50 %

7.7.3 Interchangeability of Etaline Z, Etaline and Etabloc pump components

Components featuring the same number in a column are interchangeable.

Etaline <sup>6)</sup>	Shaft unit	Description															Etabloc		
		Volute casing	Discharge cover	Shaft (with taper lock ring)										Impeller	Mechanical seal	Casing wear ring (suction side)		Casing wear ring (discharge side)	Shaft sleeve
				Part No.															
		102	163	210										230	433	502.1		502.2	523
		Motor										Etabloc							
		71	80	90	100/112	132	160	180	200	225	250								
32-32-160/...	25	○	1*	1*	2*	3*	■	■	■	■	■	■	1*	1*	1*	1*	1*	32-32-160.1/...	
32-32-200/...	25	○	○*	□	2*	3*	4*	■	■	■	■	■	○*	1*	1*	1*	1*	32-32-200.1/...	
40-40-160/...	25	○	1*	1*	2*	3*	■	■	■	■	■	■	1*	1*	1*	1*	1*	32-32-160/...	
40-40-250/...	25	○	2*	□	2*	3*	4*	5*	■	■	■	■	○*	1*	1*	2*	1*	32-32-250/...	
50-50-160/...	25	○	1*	1*	2*	3*	4*	■	■	■	■	■	○*	1*	2*	1*	1*	40-40-160/...	
50-50-250/...	25	○	2*	□	□	3*	4*	□	6*	7*	■	■	○*	1*	2*	2*	1*	40-40-250/...	
65-65-160/...	25	○	1*	1*	2*	3*	4*	■	■	■	■	■	○*	1*	3*	1*	1*	50-50-160/...	
65-65-250/...	25	○	2*	□	□	3*	4*	5*	■	■	■	■	○*	1*	3*	2*	1*	50-50-250/...	
80-80-160/...	25	○	○*	□	2*	3*	□	5*	■	■	■	■	○*	1*	○*	○*	1*	65-65-160/...	
80-80-250/...	35	○	○*	■	■	■	8*	9*	■	■	■	■	○*	2*	○*	○*	2*	65-65-250/...	
100-100-200/...	35	○	4*	■	■	■	8*	9*	10*	11*	■	■	○*	2*	4*	3*	2*	80-80-200/...	
100-100-250/...	35	○	5*	■	■	■	8*	9*	10*	□	12*	13*	■	○*	2*	4*	3*	2*	80-80-250/...
125-125-200/...	35	○	4*	■	■	■	8*	9*	10*	11*	■	■	○*	2*	5*	3*	2*	100-100-200/...	
125-125-250/...	35	○	5*	■	■	■	8*	9*	10*	□	■	■	○*	2*	5*	3*	2*	100-100-250/...	
150-150-250/...	35	○	6*	■	■	■	□	9*	10*	11*	□	13*	■	○*	2*	○*	○*	2*	125-125-250/...
200-200-250/...	35	○	6*	■	■	■	□	□	10*	11*	12*	□	■	○*	2*	6*	○*	2*	150-150-250/...
200-200-315/...	55	○	○*	■	■	■	■	■	■	■	14*	15*	16*	○*	○*	6*	○*	○*	150-150-315/...

Table 21: Key to the symbols

Symbol	Description
*	Component interchangeable with Etabloc
○	Components differ
□	When other frequencies or power reserves are required for this pump/motor combination, please contact KSB.
■	This pump/motor combination is not possible.



Table 22: Motor / power

Motor	Power
71	.../024, .../034
80	.../054, .../074
90	.../114, .../154
100	.../224, .../304
112	.../404
132	.../554, .../754

6) The components of Etaline single and twin pumps are identical except for the volute casing.

Motor	Power
160	.../1104, .../1504
180	.../1854, .../2204
200	.../3004
225	.../3704
250	.../5504

## 8 Trouble-shooting

	 <b>WARNING</b>
	<p><b>Improper work to remedy faults</b> Risk of injury!</p> <p>▷ For any work performed to remedy faults, observe the relevant information given in this operating manual and/or in the product literature provided by the accessories manufacturer.</p>

If problems occur that are not described in the following table, consultation with the KSB customer service is required.

- A Pump delivers insufficient flow rate
- B Motor is overloaded
- C Motor protection switch / thermistor trip device trips the unit
- D Increased bearing temperature
- E Leakage at the pump
- F Excessive leakage at the shaft seal
- G Vibrations during pump operation
- H Impermissible temperature increase in the pump

Table 23: Trouble-shooting

A	B	C	D	E	F	G	H	Possible cause	Remedy <sup>7)</sup>
X	-	-	-	-	-	-	-	Pump delivers against an excessively high pressure.	Re-adjust to duty point. Check system for impurities. Fit a larger impeller. <sup>7)</sup> Increase the speed (frequency inverter).
X	-	-	-	-	-	X	X	Pump and/or piping are not completely vented or primed.	Vent and/or prime.
X	-	-	-	-	-	-	-	Supply line or impeller clogged	Remove deposits in the pump and/or piping.
X	-	-	-	-	-	-	-	Formation of air pockets in the piping	Alter piping layout. Fit vent valve.
X	-	-	-	-	-	X	X	Suction lift is too high/NPSH <sub>available</sub> (positive suction head) is too low.	Check/alter liquid level (open system). Increase system pressure (closed system). Install pump at a lower level. Fully open the shut-off element in the suction line. Change suction line, if the friction losses in the suction line are too high. Check any strainers installed/suction opening. Observe permissible speed of pressure fall.
X	-	-	-	-	-	-	-	Wrong direction of rotation	Check the electrical connection of the motor and the control system if any.
X	-	-	-	-	-	-	-	Speed too low - Operation with frequency inverter - Operation without frequency inverter	- Increase voltage/frequency at the frequency inverter in the permissible range. - Check voltage.
X	-	-	-	-	-	X	-	Wear of internal components	Replace worn components by new ones.
-	X	-	-	-	-	X	-	Pump back pressure is lower than specified in the purchase order.	Re-adjust to duty point. In the case of persistent overloading, turn down impeller. <sup>7)</sup>
-	X	-	-	-	-	-	-	Density or viscosity of fluid handled higher than stated in purchase order	Consult the manufacturer.
-	-	-	-	-	X	-	-	Use of unsuitable shaft seal materials	Change the material combination. <sup>7)</sup>

7) Pump pressure must be released before attempting to remedy faults on parts which are subjected to pressure.

A	B	C	D	E	F	G	H	Possible cause	Remedy <sup>7)</sup>
-	X	X	-	-	-	-	-	Speed too high	Reduce speed. <sup>7)</sup>
-	-	-	-	X	-	-	-	Tie bolts/sealing element defective	Fit new sealing element between volute casing and casing cover. Re-tighten the bolts.
-	-	-	-	-	X	-	-	Worn shaft seal	Fit new shaft seal.
X	-	-	-	-	X	-	-	Score marks or roughness on shaft sleeve	Fit new shaft sleeve. Fit new shaft seal.
-	-	-	-	-	X	-	-	Dismantle to find out.	Correct. Fit new shaft seal, if required.
-	-	-	-	-	X	-	-	Vibrations during pump operation	Correct the suction conditions. Re-balance the impeller. Increase pressure at the pump suction nozzle.
-	-	-	X	-	X	X	-	Pump is warped or sympathetic vibrations in the piping.	Check the piping connections and secure fixing of pump; if required, reduce distances between the pipe clamps. Fix the pipelines using anti-vibration material.
-	-	-	X	-	-	-	-	Increased axial thrust	Clean balancing holes in the impeller. Replace the casing wear rings.
-	-	-	X	-	-	-	-	Insufficient or excessive quantity of lubricant or unsuitable lubricant.	Top up, reduce or change lubricant.
X	X	-	-	-	-	-	-	Motor is running on two phases only.	Replace the defective fuse. Check the electric cable connections. Check the motor winding.
-	-	-	-	-	-	X	-	Rotor out of balance	Clean the impeller. Re-balance the impeller.
-	-	-	-	-	-	X	-	Defective bearing(s)	Replace.
-	-	-	X	-	-	X	X	Flow rate is too low.	Increase the minimum flow rate.
-	-	X	-	-	-	-	-	Incorrect setting of motor protection switch	Check setting. Fit new motor protection switch.
-	X	X	-	-	-	-	-	Transport lock has not been removed from the shaft groove.	Remove.

## 9 Related Documents

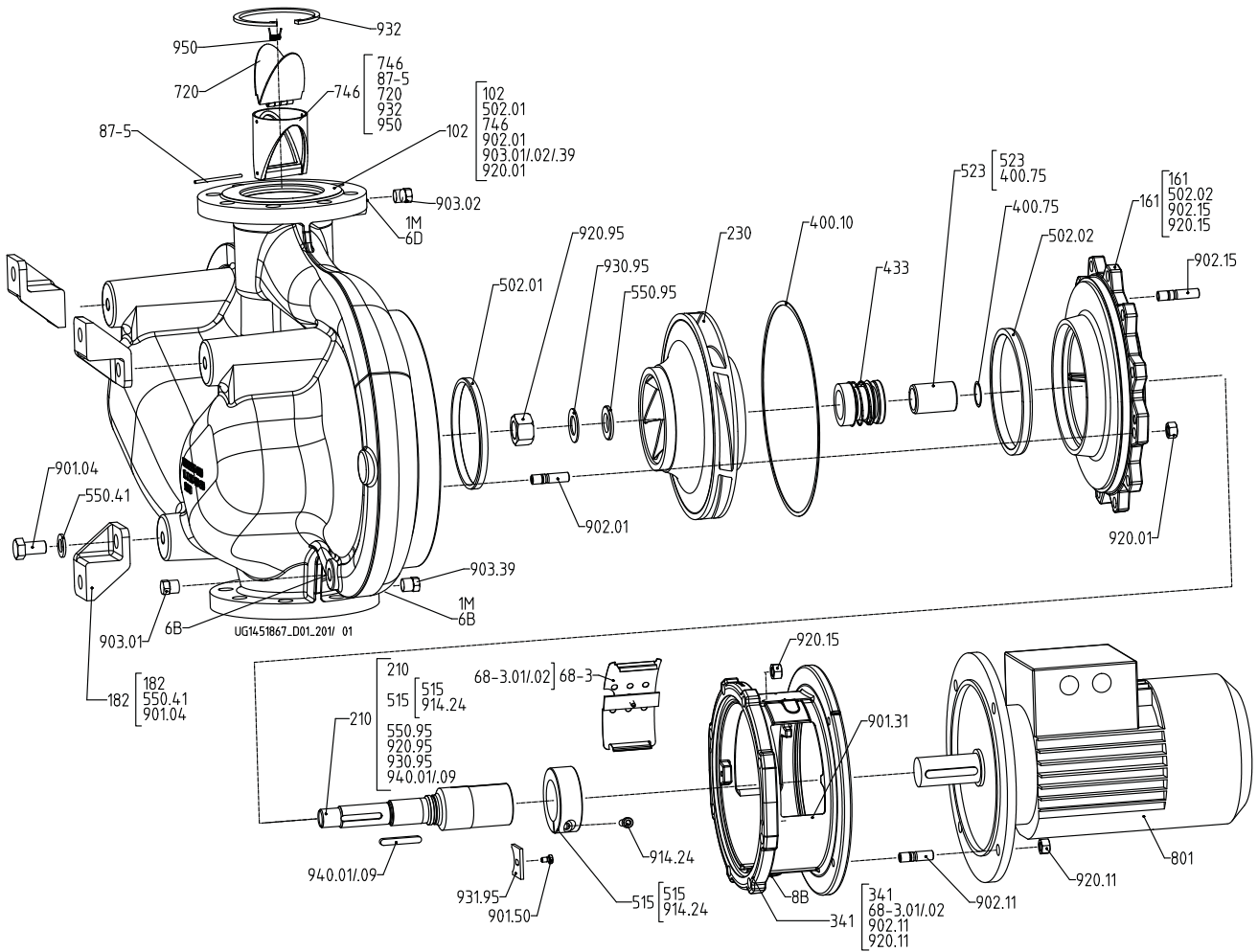
### 9.1 Exploded view and list of components

#### 9.1.1 Variant with bolted casing cover

[Supplied in packaging units only]

**Table 24:** This view applies to the following pump sizes:

032-032-200    040-040-250    050-050-250    065-065-250    080-080-250    100-100-250    125-125-250    150-150-250    200-200-250  
 200-200-315



**Fig. 11:** Model with bolted casing cover

**Table 25:** List of components

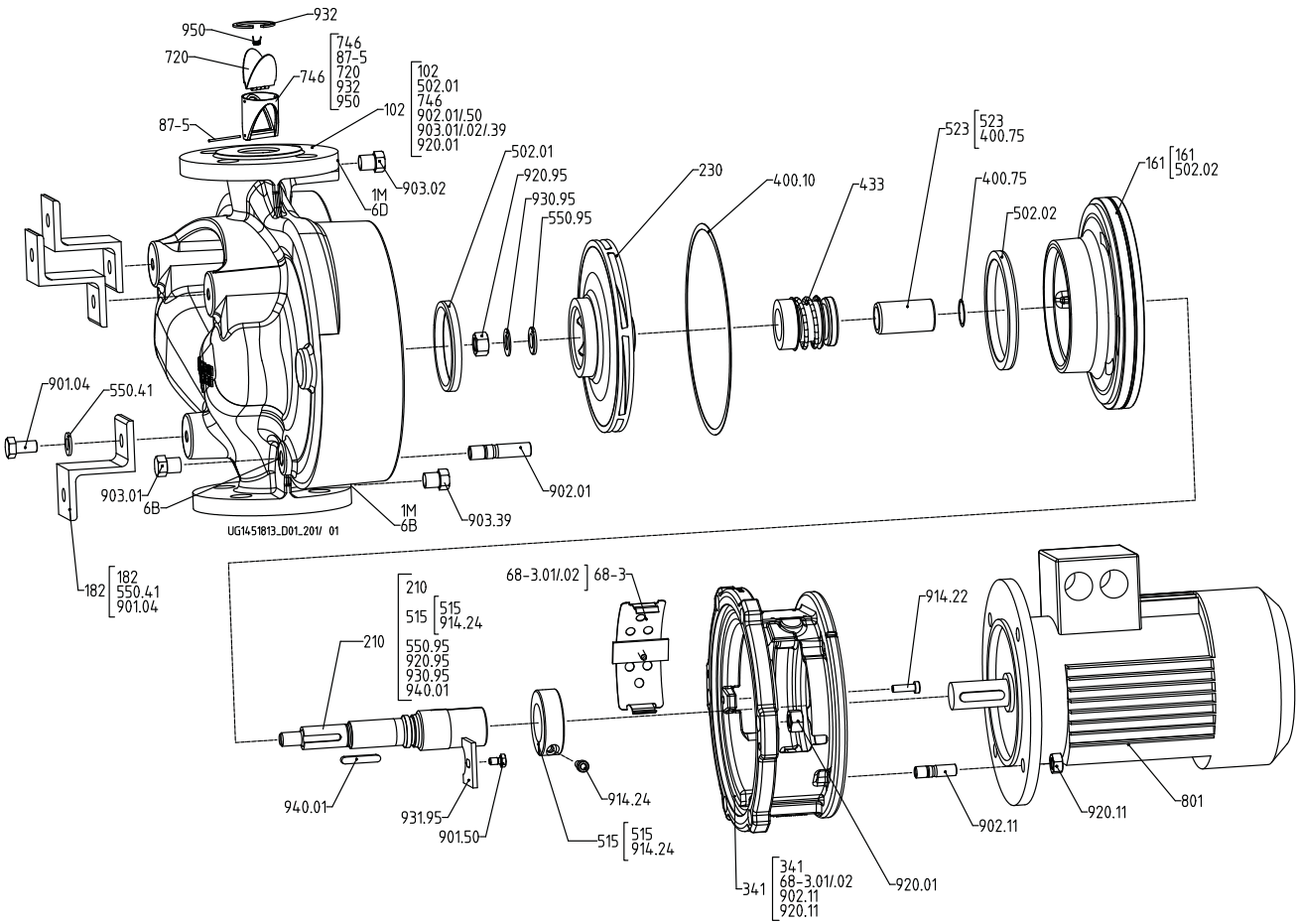
Part No.	Description	Part No.	Description
102	Volute casing	87-5	Hinge pin
161	Casing cover	901.04/.31/.50	Hexagon head bolt
182	Foot	902.01/.11/.15	Stud
210	Shaft	903.01/.02/.39	Screw plug
230	Impeller	914.24	Hexagon socket head cap screw
341	Drive lantern	920.01/.11/.15/.95	Hexagon nut
400.10/.75	Gasket	930.95	Safety device
433	Mechanical seal	931.95	Lock washer
502.01/.02	Casing wear ring	932	Circlip
515	Taper lock ring	940.01/.09	Key
523	Shaft sleeve	950	Spring

Part No.	Description	Part No.	Description
550.41/.95	Disc <sup>8)</sup>	<b>Connections</b>	
68-3.01/.02	Cover plate	1M	Pressure gauge
720	Fitting	6B	Fluid drain
746	Changeover flap valve	6D	Fluid priming and venting
801	Flanged motor	8B	Leakage drain

**9.1.2 Variant with clamped casing cover**  
 [Supplied in packaging units only]

**Table 26:** This view applies to the following pump sizes:

032-032-160      040-040-160      050-050-160      065-065-160      080-080-160      100-100-200      125-125-200



**Fig. 12:** Variant with single mechanical seal and clamped casing cover

**Table 27:** List of components

Part No.	Description	Part No.	Description
102	Volute casing	87-5	Hinge pin
161	Casing cover	901.04/.50	Hexagon head bolt
182	Foot	902.01/.11/.50	Stud
210	Shaft	903.01/.02/.39	Screw plug
230	Impeller	914.22/.24	Hexagon socket head cap screw
341	Drive lantern	920.01/.11/.95	Hexagon nut
400.10/.75	Gasket	930.95	Lock washer
433	Mechanical seal	931.95	Lock washer
502.01/.02	Casing wear ring	932	Circlip

8) For shaft unit 25 only

Part No.	Description	Part No.	Description
515	Taper lock ring	940.01	Key
523	Shaft sleeve	950	Spring
550.41/95	Disc <sup>9)</sup>		
68-3.01/02	Cover plate	<b>Connections</b>	
720	Fitting	1M	Pressure gauge
746	Valve disc	6B	Fluid drain
801	Flanged motor	6D	Fluid priming and venting

---

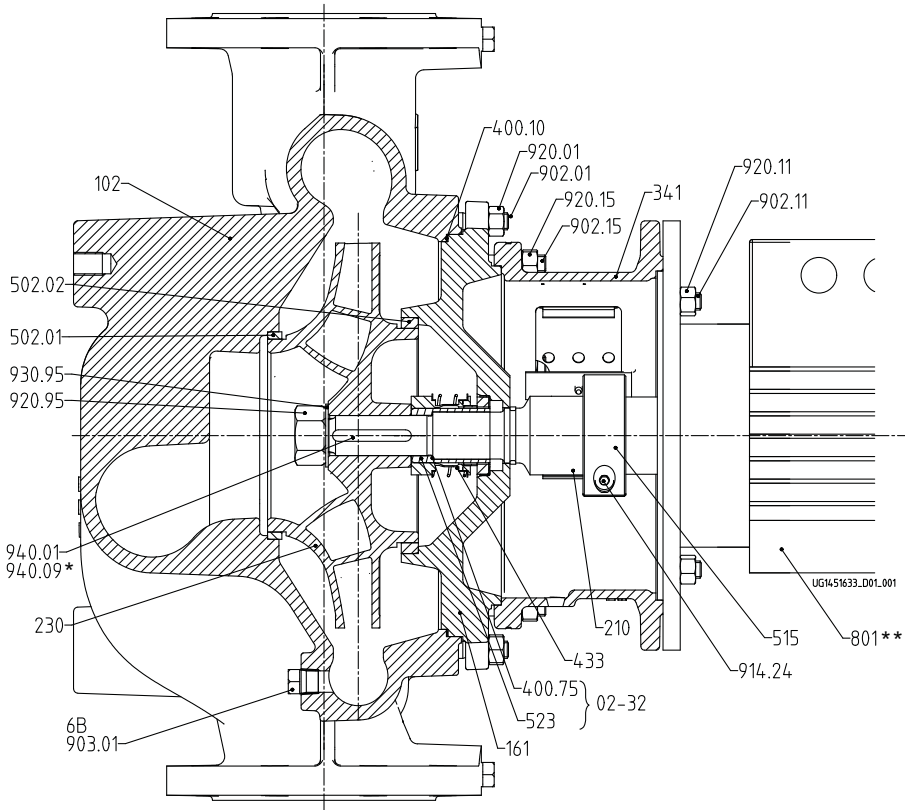
9) For shaft unit 25 only



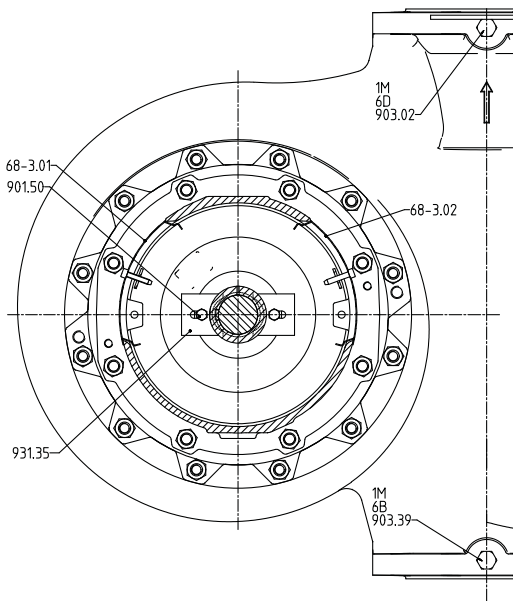
9.2 General assembly drawing with list of components

Table 28: This view applies to the following pump sizes with clamped casing cover:

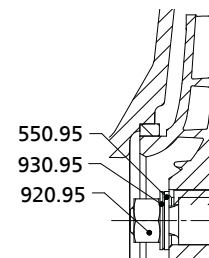
032-032-200	040-040-250	050-050-250	065-065-250	080-080-250	100-100-250	125-125-250	150-150-250	200-200-250	200-200-315
-------------	-------------	-------------	-------------	-------------	-------------	-------------	-------------	-------------	-------------



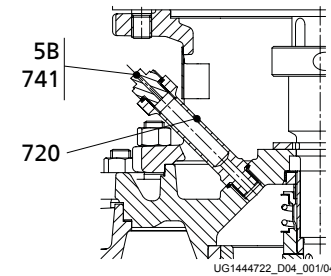
General assembly drawing, \* Second key for WS 55 only; \*\* With motor foot from motor size 132



General assembly drawing: side view



Fastening elements for the impeller, WS 25



Vent valve 5B

Table 29: This view applies to the following pump sizes with clamped casing cover:

032-032-160	040-040-160	050-050-160	065-065-160	080-080-160	100-100-200	125-125-200
-------------	-------------	-------------	-------------	-------------	-------------	-------------

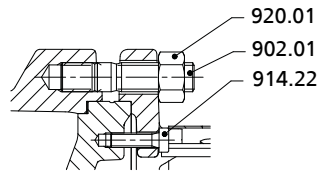


Fig. 13: Fastening elements for the clamped casing cover

Table 30: List of components

Part No.	Description	Part No.	Description
02-32	Spare shaft protecting sleeve/ gasket assembly	801	Flanged motor
102	Volute casing	901.50	Hexagon head bolt
161	Casing cover	902.01/.11/.15	Stud
210	Shaft	903.01/.02/.39	Screw plug
230	Impeller	914.22/.24	Hexagon socket head cap screw
341	Drive lantern	920.01/.11/.15/.95	Hexagon nut
400.10/.75	Gasket	930.95	Lock washer
433	Mechanical seal	931.35	Lock washer
502.01/.02	Casing wear ring	940.01/.09	Key
515	Taper lock ring		
523	Shaft sleeve	<b>Connections</b>	
550.95	Disc <sup>10)</sup>	1M	Pressure gauge
68-3.01/.02	Cover plate	5B	Vent, mechanical seal chamber
720	Fitting	6B	Fluid drain
741	Vent valve	6D	Fluid priming and venting

10) For shaft unit 25 only

## 10 EU Declaration of Conformity

Manufacturer: **KSB SE & Co. KGaA**  
**Johann-Klein-Straße 9**  
**67227 Frankenthal (Germany)**

The manufacturer herewith declares that the product:

### **Etabloc, Etabloc SYT, Etaline, Etaline SYT, Etaline Z, Etachrom B, Etachrom L, Etanorm, Etanorm SYT, Etanorm V, Etaprime L, Etaprime B, Vitachrom**

KSB order number: .....

- is in conformity with the provisions of the following Directives as amended from time to time:
  - Pump (set): Machinery Directive 2006/42/EC

The manufacturer also declares that

- the following harmonised international standards have been applied:
  - ISO 12100
  - EN 809

Person authorised to compile the technical file:

Name  
Function  
Address (company)  
Address (Street, No.)  
Address (post or ZIP code, city) (country)

The EU Declaration of Conformity was issued in/on:

Place, date

.....<sup>11)</sup>.....

Name  
Function  
Company  
Address

---

11) A signed, legally binding EU Declaration of Conformity is supplied with the product.

---

## 11 Certificate of Decontamination

Type: .....

Order number/

Order item number<sup>12)</sup>: .....

Delivery date: .....

Field of application: .....

Fluid handled<sup>12)</sup>: .....

Please tick where applicable<sup>12)</sup>:




Radioactive




Explosive




Corrosive




Toxic




Harmful




Bio-hazardous




Highly flammable




Safe

Reason for return<sup>12)</sup>: .....

Comments: .....

.....

The product/accessories have been carefully drained, cleaned and decontaminated inside and outside prior to dispatch/ placing at your disposal.

We herewith declare that this product is free from hazardous chemicals, biological and radioactive substances.

For mag-drive pumps, the inner rotor unit (impeller, casing cover, bearing ring carrier, plain bearing, inner rotor) has been removed from the pump and cleaned. In cases of containment shroud leakage, the outer rotor, bearing bracket lantern, leakage barrier and bearing bracket or adapter have also been cleaned.

For canned motor pumps, the rotor and plain bearing have been removed from the pump for cleaning. In cases of leakage at the stator can, the stator space has been examined for fluid leakage; if fluid handled has penetrated the stator space, it has been removed.

- No special safety precautions are required for further handling.
- The following safety precautions are required for flushing fluids, fluid residues and disposal:

.....

.....

We confirm that the above data and information are correct and complete and that dispatch is effected in accordance with the relevant legal provisions.

.....

Place, date and signature

.....

Address

.....

Company stamp

12) Required fields

## Index

### A

Auxiliary connections 27

### B

Bearing temperature 39

Bearings 18

### C

Certificate of decontamination 60

Clearances 40

Commissioning 30

### D

Design 17

Direction of rotation 29

Dismantling 42

Disposal 14

Drive 18, 20

### E

Event of damage 6

Ordering spare parts 49

Exploded view 55

Explosion protection 10, 27, 28, 29, 30, 31, 33, 34, 37, 38, 40, 46

### F

Faults

Causes and remedies 52

Fields of application 8

Filter 40

Filters 24

Fluid handled

Density 35

Frequency of starts 34

### I

Impeller type 18

Installation at site 21

Intended use 8

Interchangeability of pump components 50

### K

Key to safety symbols/markings 7

### M

Maintenance 38

Mechanical seal 30

Monitoring equipment 11

### N

Name plate 17

Noise characteristics 20

### O

Operating limits 33

Order number 6

Other applicable documents 6

### P

Partly completed machinery 6

Permissible forces at the pump nozzles 25

Piping 24

Preservation 13, 35

Product description 15

Pump casing 18

### R

Reassembly 42, 44

Return to supplier 13

Returning to service 35

### S

Safety 8

Safety awareness 9

Scope of supply 20

Shaft seal 18

Shutdown 35

Spare part

Ordering spare parts 49

Spare parts stock 49

Start-up 32

Storage 13, 35

### T

Temperature limits 10

Tightening torques 48

Transport 12

### W

Warnings 7

Warranty claims 6







**KSB SE & Co. KGaA**

Johann-Klein-Straße 9 • 67227 Frankenthal (Germany)

Tel. +49 6233 86-0

[www.ksb.com](http://www.ksb.com)