

## Etabloc – The Compact Pump



### Applications:

Pure liquids not chemically or mechanically aggressive to the pump materials

- Water supply
- Cooling water
- Swimming pool water
- Fire-fighting systems
- Seawater
- Spray irrigation
- Fire-fighting water
- Irrigation
- Service water
- Cleaning agents
- Drinking water
- Brackish water
- Drainage
- Condensate
- Heating
- Air-conditioning
- Oils
- Hot water

### More information:

[www.ksb.com/products](http://www.ksb.com/products)

Etabloc with KSB SuPremE®-IE5 motor\*, PumpMeter and PumpDrive



Etabloc with KSB SuPremE®-IE5 motor\*, PumpMeter and PumpDrive Eco

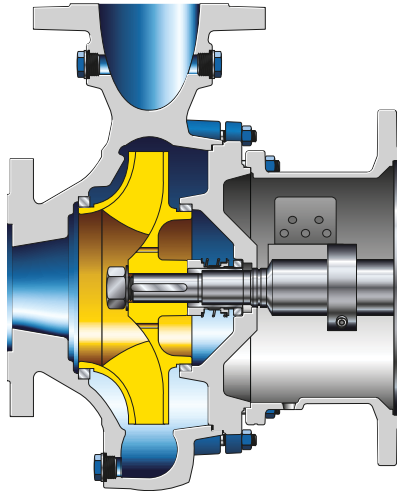


Etabloc with PumpMeter, PumpDrive and IE3 motor

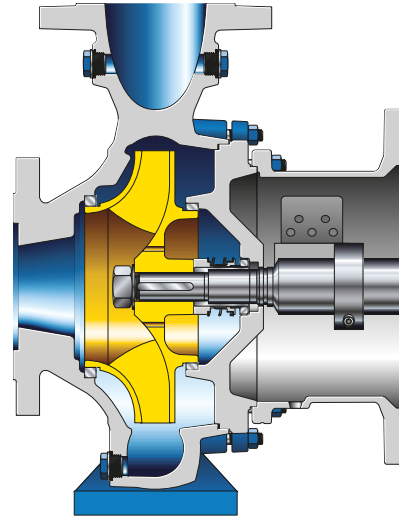


Etabloc with PumpMeter and IE3 motor

# Etabloc – The Compact Pump



Etabloc – without support foot



Etabloc – with support foot

## High energy efficiency

- Optimised hydraulic system of high efficiency. As a standard, the impellers are trimmed to the operating point.
- Ground-breaking features for saving energy. Equipped with PumpDrive for variable-speed operation. When used in combination with the KSB SuPremE® motor, the pump achieves the efficiency level IE5\*.

## Compact design

Pump without separate coupling, which eliminates the need for coupling alignment.

## Reliability

- Good suction performance for low vibration levels and very smooth running.
- Safe transport of the complete pump set and pump foot and motor foot already levelled for installation from 75 – 110 kW.
- Wetted parts are free from primers and thus generally recognised as safe for handling drinking water.

## Materials variants

Grey cast iron EN-GJL-250 / A48 CL 35B

Nodular cast iron EN-GJS-400-15 / A536 GR 60-40-18

Stainless steel 1.4408 / A743 Gr CF8 M

Bronze CC480K-GS / B30 C90700

## Versatility

- Great choice of materials for many applications available as a standard.
- Horizontal or vertical shaft axis position can be selected.
- Hydraulic test run to ISO 9906 3B, 2B and 2U available.
- Optional interior and exterior coating for better corrosion protection.
- Available in a wide choice of materials for a large variety of fluids.
- Wide choice of seals for demanding fluids.
- Additional sizes for small flow rates extend the already diverse range of selection charts.

## Service-friendly

- Fast delivery of new pumps and spare parts.
- Easier to assemble and dismantle thanks to the larger seal chamber and threaded holes for forcing screws between the casing cover and bearing bracket.

## Technical data

Flow rate	Up to 640 m <sup>3</sup> /h (50 Hz) Up to 753 m <sup>3</sup> /h (60 Hz)
Head	Up to 160 m (50 Hz) Up to 148 m (60 Hz)
Fluid temperature	-30 °C to +140 °C
Pressure	up to 16 bar

\* IE5 in accordance with IEC/TS 60034-30-2 up to 15/18.5 kW (only for 1500 rpm types rated 0.55 kW, 0.75 kW, 2.2 kW, 3 kW, 4 kW: IE5 in preparation)



KSB SE & Co. KGaA  
Johann-Klein-Straße 9  
67227 Frankenthal (Germany)  
www.ksb.com