



Wilo-TWI 5

Wilo-TWI 5-SE

- | | | | |
|-----------|---|------------|--------------------------------------|
| D | Einbau- und Betriebsanleitung | P | Manual de instalação e funcionamento |
| GB | Installation and operating instructions | S | Monterings- och skötselinstruktioner |
| F | Notice de montage et de mise en service | DK | Monterings- og driftsvejledning |
| NL | Inbouw- en bedieningsvoorschriften | CZ | Návod k montáži a obsluze |
| E | Instrucciones de instalación y funcionamiento | RUS | Инструкция по монтажу и эксплуатации |
| I | Istruzioni di montaggio, uso e manutenzione | | |

Fig. 1

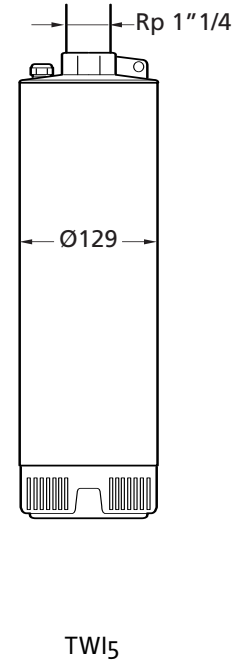
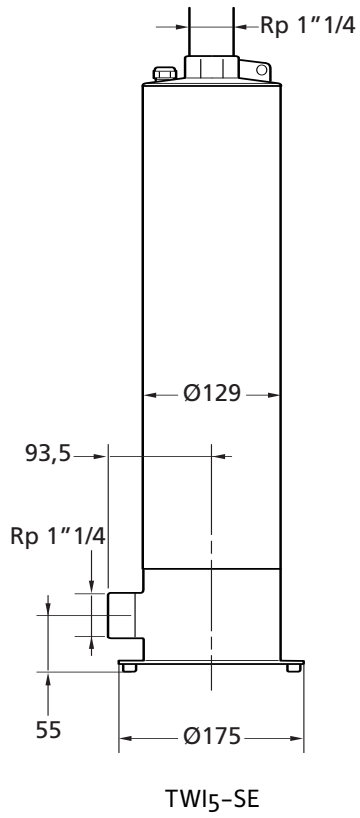


Fig. 2

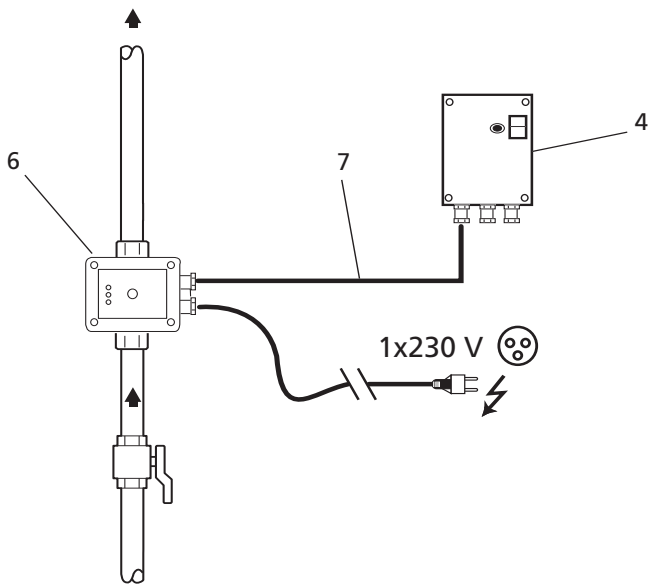


Fig. 3

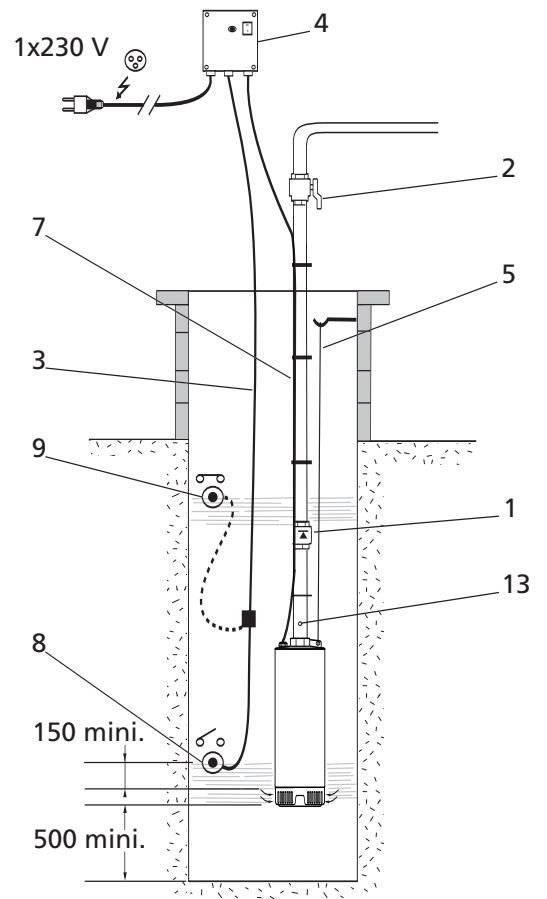


Fig. 4

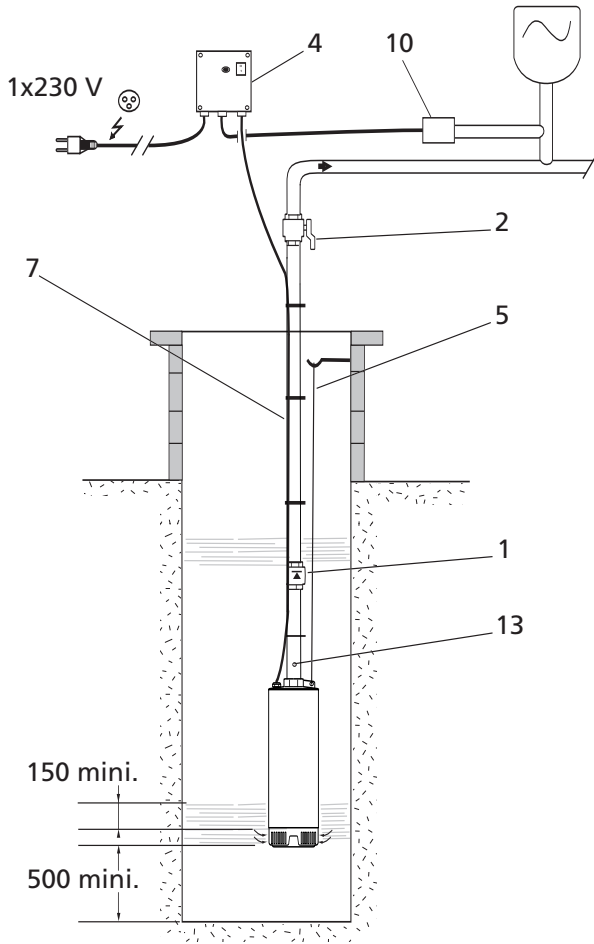


Fig. 5

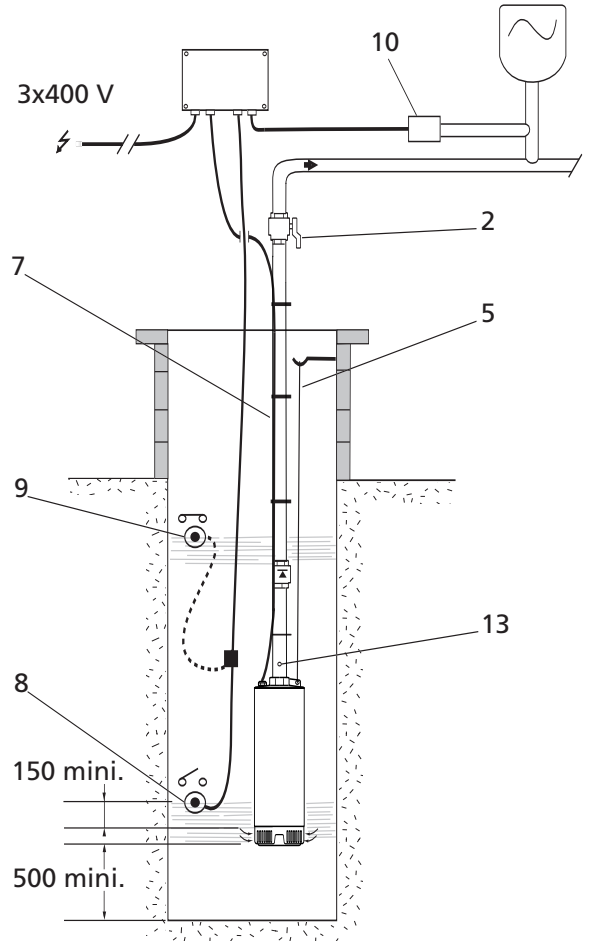


Fig. 6

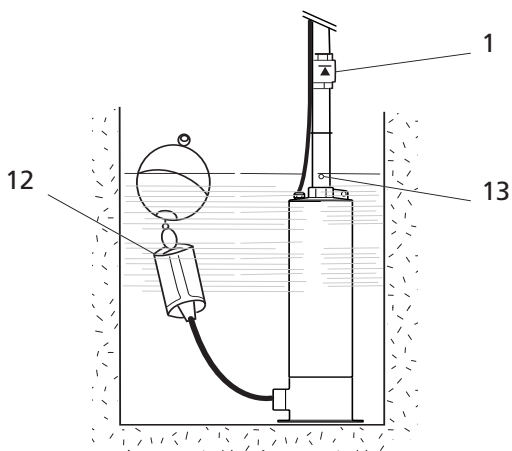


Fig. 7

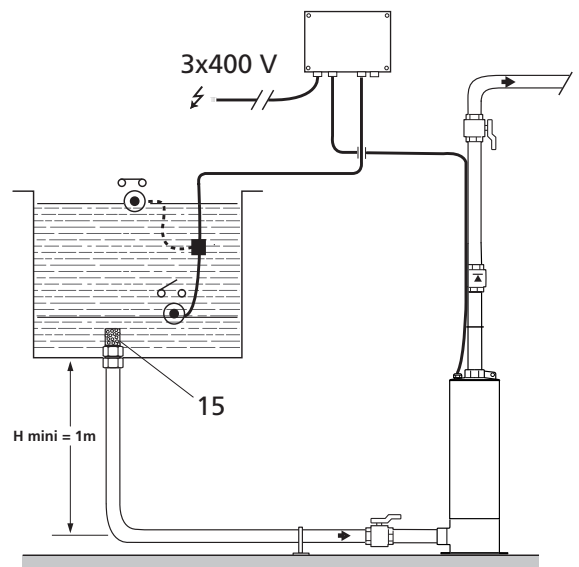


Fig. 8

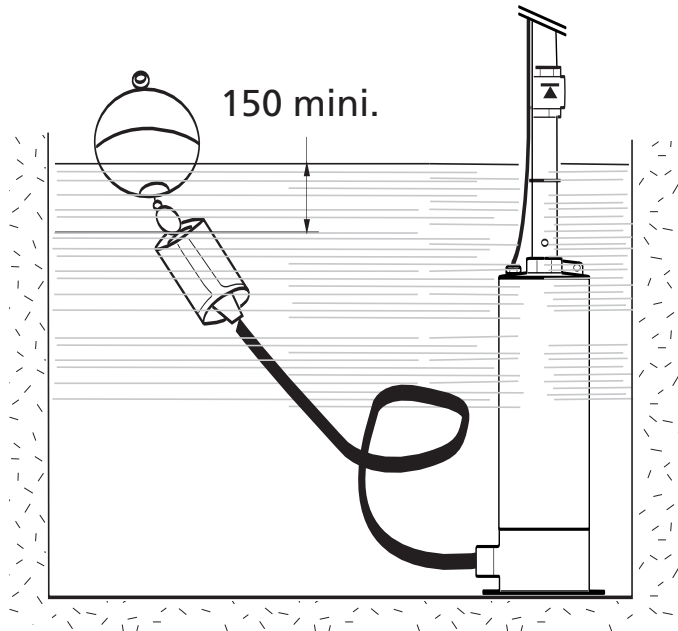
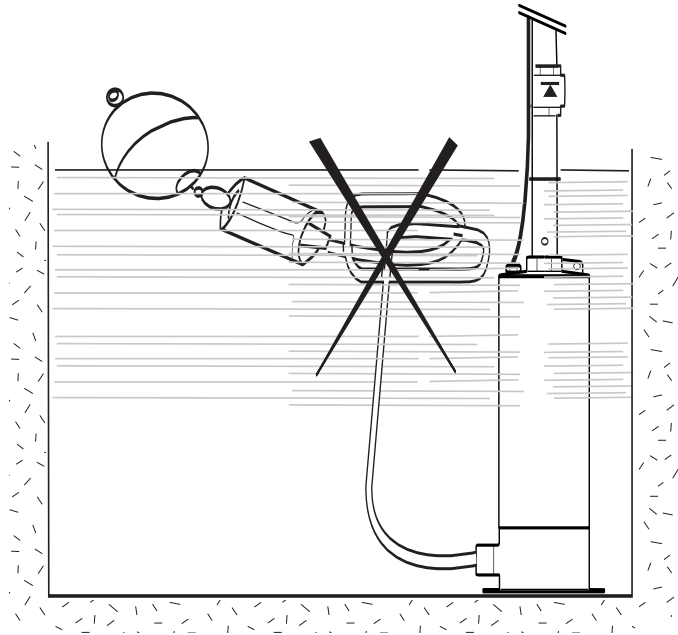


Fig. 9a

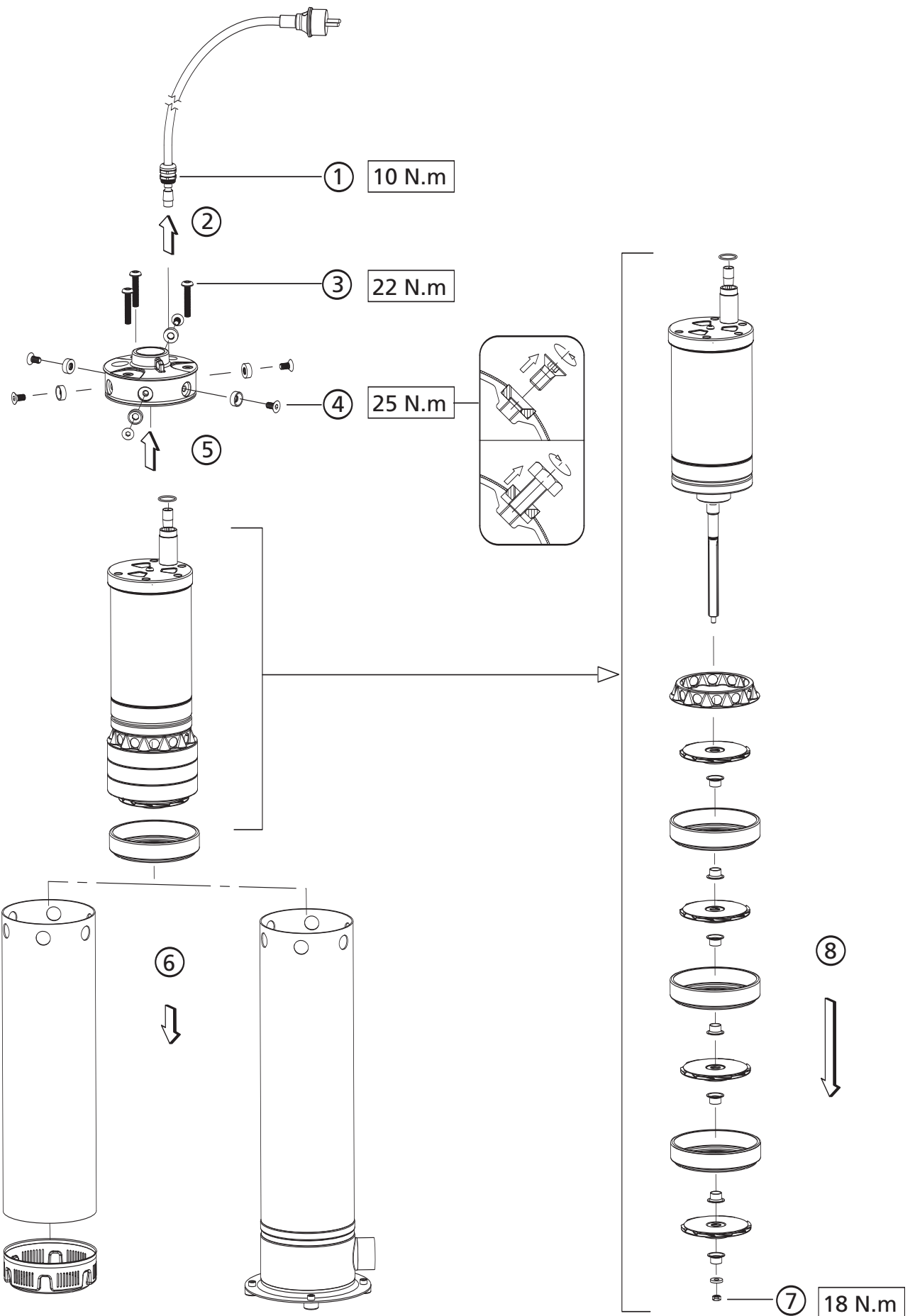
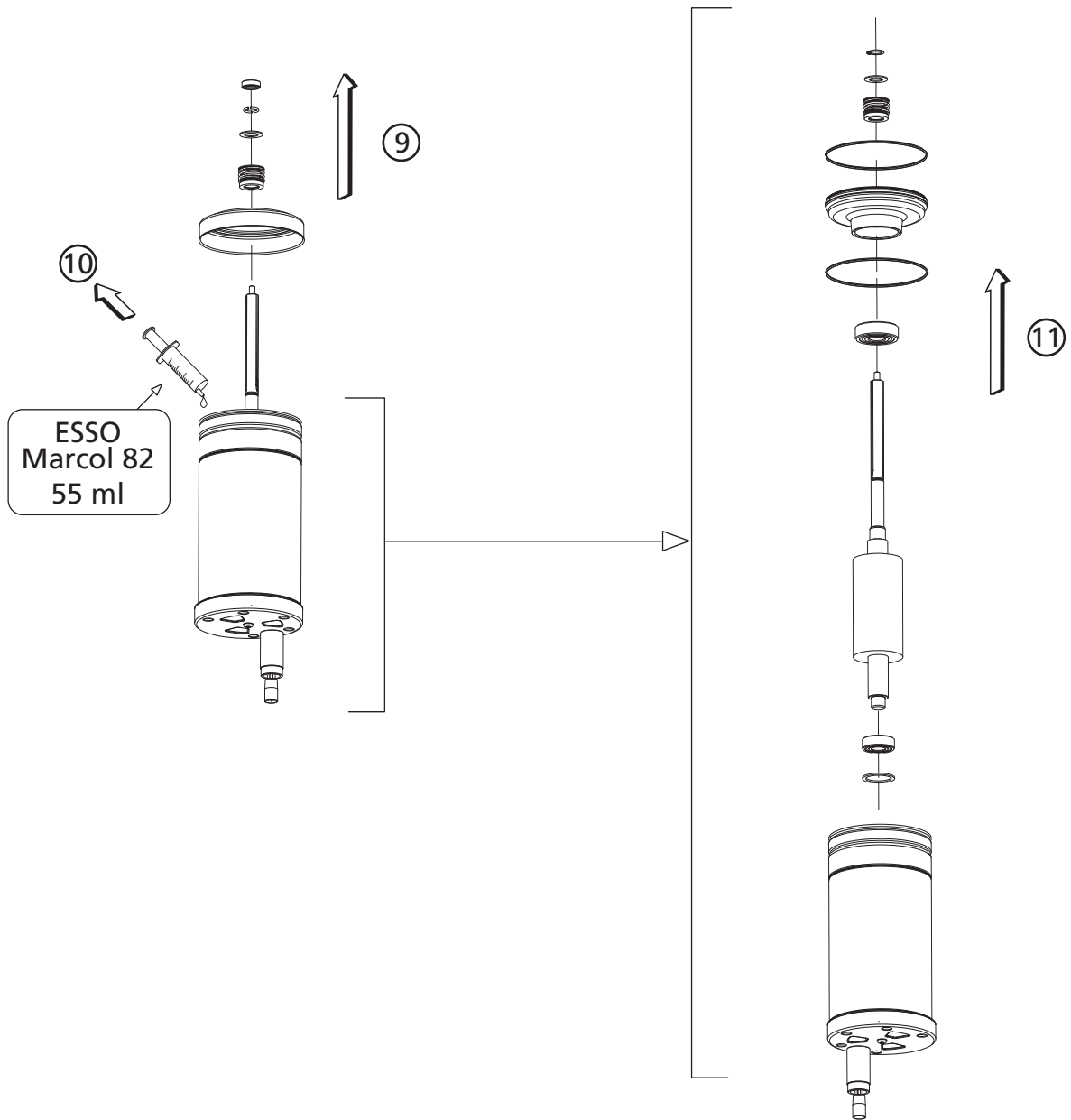


Fig. 9b



D	Einbau- und Betriebsanleitung	9
GB	Installation and operating instructions	15
F	Notice de montage et de mise en service	21
NL	Inbouw- en bedieningsvoorschriften	27
E	Instrucciones de instalación y funcionamiento	33
I	Istruzioni di montaggio, uso e manutenzione	39
P	Manual de instalação e funcionamento	45
S	Monterings- och skötselinstruktioner	51
DK	Monterings- og driftsvejledning	57
CZ	Návod k montáži a obsluze	63
RUS	Инструкция по монтажу и эксплуатации	69

1. General

1.1 About this document

These Installation and Operating Instructions form an integral part of the unit. They must be kept close to the unit and in readiness whenever required. Precise observance of these instructions is a pre-condition for use of the unit for the intended purpose and for its correct operation. These Installation and Operating Instructions conform to the relevant version of the equipment and the underlying safety standards valid at the time of going to press.

2. Safety

These instructions contain important information which must be followed when installing and operating the pump. It is therefore imperative that they be read by both the installer and the operator before the pump is installed or operated. Both the general safety instructions in this section and the more specific safety points in the following sections should be observed.

2.1 Instruction symbols used in this operating manual

Symbols



General danger symbol.



Hazards from electrical causes.



NOTE:

Signal words:

DANGER! Imminently hazardous situation. Will result in death or serious injury if not avoided.

WARNING! Risk of (serious) injury. 'Warning' implies that failure to comply with the safety instructions is likely to result in (severe) personal injury.

CAUTION! Risk of damage to the pump/installation. 'Caution' alerts to user to potential product damage due to non-compliance with the safety instructions.

NOTE! Useful information on the handling of the product.
It alerts the user to potential difficulties.

2.2 Personnel qualification

The personnel installing the pump must have the appropriate qualification for this work.

2.3 Risks incurred by failure to comply with the safety instructions

Failure to comply with the safety precautions could result in personal injury or damage to the pump or installation. Failure to comply with the safety precautions could also invalidate any claim for damages.

In particular, failure to comply with these safety

instructions could give rise, for example, to the following risks:

- Failure of important pump or system functions,
- Personal injury due to electrical, mechanical and bacteriological causes.

2.4 Safety instructions for the operator

The relevant accident precaution regulations must be observed.

Potential dangers caused by electrical energy must be excluded. Local or general regulations [e.g. IEC, VDE, etc.] and directives from local energy supply companies are to be followed.

2.5 Safety instructions for inspection and assembly

The operator must ensure that all inspection and assembly work is carried out by authorised and qualified specialists who have carefully studied these instructions.

Work on a pump or installation should only be carried out once the latter has been brought to a standstill.

2.6 Unauthorised modification and manufacture of spare parts

Changes to the pump/machinery may only be made in agreement with the manufacturer. The use of original spare parts and accessories authorised by the manufacturer will ensure safety. The use of any other parts may invalidate claims invoking the liability of the manufacturer for any consequences.

2.7 Improper use

The operating safety of the pump or installation can only be guaranteed if it is used in accordance with paragraph 4 of the operating instructions. All values must neither exceed nor fall below the limit values given in the catalogue or data sheet.

3. Transport et stockage

When receiving the material, check that there has been no damage during the transport. If any defect has been stated, take the required steps with the carrier within the allowed time.



CAUTION! If the delivered material is to be installed later on, store it in a dry place and protect it from impacts and any outside influences (humidity, frost etc...).

Handle the pump carefully so as not to damage the unit prior to installation.

4. Application



CAUTION! Possible damage of the pump.
This pumps are intended for use with water only.

Series TWI5 submersible pumps are suitable for the application areas following:

- For not very deep wells, tank, cistern.
- Pumping and water distribution for:

domestic use (potable water supply)
agricultural use (watering, irrigation),

- Pumped liquids: non polluted, potable, cold, rain waters.

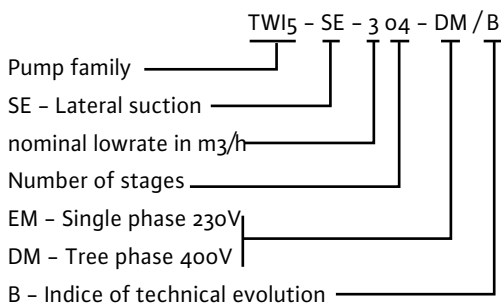
The pump is not suitable for continuous use, e.g. for the operation of fountains.

(Continuous operation > 2 hrs reduces the life-time of the pump).

The pump must not be used for emptying swimming pools.

5. Product

5.1 Type key



5.2 Technicals characteristics

- Maximum operating pressure: see rating plate
- Liquid temperatures max.: 40 °C
- Power P₁: see rating plate
- Current: see rating plate
- Speed of rotation: see rating plate
- Protection index motor: IP68
- Protection index switchbox (single phase): IP54
- Insulation class: F
- Frequency: 50 Hz
- Voltage: Single phase: 230V (± 10 %)
Tree phase: 400V (± 10 %)
- Cable length: 20m
- Max. starts per hour: 40
- Maximum immersion depth.: 20m
- Maximum grain size.: 2mm
- Maximum sand content: 50g/m³

Outline and pipe connections: (See Fig. 1)

5.3 Scope of Supply

- Single phase pump with connecting cable (Ho7RN-F) and switchbox with 2 m mains cable and shock-proof plug, or three phase pump with connecting cable (Ho7RN-F) and a three cable end.
- Carrying rope 20m.
- Installation and operating instructions.
- Security instructions.

5.4 Accessories

Accessories must be ordered separately.

- Insulation valve
- Non return valve
- Command box and protection
- Circuit breaker
- Float switch

- Overflow sound alarm
- Fluid control
- Pressure switch
- Floating tapping device:
 - suction coarse strainer,
 - suction fine strainer

For specifications and descriptions of accessories, see catalogue/data sheet.

5.5 Product description (Fig. 2, 3, 4, 5, 6 and 7)

1. Non return valve
2. Valve
3. Float switch
4. Connection box (single-phase)
5. Carrying rope
6. Fluid control
7. Supply cable
8. Float in low position
9. Float in high position
10. Pressure switch
11. Connection box (three phase)
12. Floating tapping device
13. Draining air hole to realize
14. Suction strainer

5.6 Design of pump and motor

The submersible pump is of the multi-stage, centrifugal design.

All parts in contact with the flow medium are of either corrosion-resistant material.

The electric motor is protected of the hydraulic part pump by two mechanical seal and a oil chamber for maintained the tightness of the motor.

The pumps are supplied with a carrying rope.

The pump base contains a suction strainer.

The SE type model are fitted with a suction support to allow the connection of floating or fixed suction filters, together with a stand including 4 vibration absorbers for installation on the ground.

The single-phase motor pumps (EM) are delivered ready for connection with a switchbox. It contains:

- Cut-out switch with indicator light,
- Built-in over current trip device in manual reset,
- Motor capacitor,
- Connection for a float switch (Low-water - /Dry running protection),
- Cable connected to the terminal box as well as to the pump,
- Connected 1 m long mains cable with shock-proof plug.

The motor is fitted with a winding protection which automatically switches the motor off if it overheats and on again once it has cooled down. Three-phase pumps (DM) are supplied with bare cable lead ends.

The switch box can be ordered from the Wilo range or provided by the customer.

It must be fitted with a motor safety switch.

Once the over current protective device has been triggered the fault must be reset by operating the cut-out switch.

6. Installation – Mounting



DANGER! Installation and electrical work in compliance with any local codes and by qualified personnel only !



WARNING! Bodily injury
Existing regulations for the prevention of accidents must be observed.



WARNING! Electrical shock hazard
Dangers caused by electrical energy must be excluded.
National Electrical Codes, local codes and regulations must be followed.

6.1 Installation



CAUTION! Possible damage of the pump
Do not transport, hang or suspend the pump by the cable.

- The pump must be installed in frost-free place.
- Fix the rope in the hole of fixing in the superior part of the pump.
- Connect the delivery pipe work.
- Fix the supply cable without constraint to the delivery pipe with the appropriate bindings.
- Lower the pump with the help of the cable and support it so that it is always immersed in water, maximum depth: 20 m and in suspension.
- The pump can run in a horizontal position.
- To ensure that the well diameter is always constant and allows a free lowering of the unit.
- To centre the pump in the middle of the well.
- To ensure that the pump, the electric cable and the rope, in operation, could not rub against the well sides or any other obstacle.
- In final position, the unit can be hung 0.50 at the least over the well bottom.
- To ensure that the minimum water height is always 0.15 m over the suction sieve of the pump (pump in operation).
- If the installation is in open air, protect the delivery pipe work, the electric box, valves, flap, electric controls from frost.
- If a floating tapping device (suction filter with hose connection) is used take care to ensure that the length of the hose is adapted to the structural conditions of the cistern. To prevent air from entering, the filter basket must not reach the surface of the water (see Fig. 8).
- The SE-type model can be installed out of water, because the motor is cooled by the fluid (see Fig. 7).
- The box delivered with the single-phase pumps allows the dry run safety through a float switch adaptation (see § 7.3) or an on-off control through a pressure switch connection (see Fig. 4).
- Boxes delivered with the three phase pumps allows the dry run safety through a float switch adaptation and an on-off control through a pressure switch connection (see Fig. 5).

6.2 Electrical connections



CAUTION! Possible damage of the pump
During the use of SE pump, fill the section hose with water before starting the pump (see Fig. 8).

- The pipework diameter cannot be inferior to the pump's one on rigid threaded steel pipework or a semi rigid polyethylene high density pipework.
- In the case of a semi rigid pipework the pump must be supported by a cable fixed to the lifting ring situated on the discharge casing.
- The installation of a non return valve in pump outlet and before the isolation valve is obligator.

6.3 Electrical connections



WARNING! Electrical shock hazard
The electrical connections and the inspections have to be done by a qualified electrician and comply with the applicable local standards.

- Control the kind of current and the network voltage.
- Observe the specifications of the pump name-plate.
- Fuse: 16 A, for line protection
- Not forget the earthing.
- The three-phase pump is delivered with a 20 m long cable to be connected with a protection mechanism or a connection box (electrical connection: see installation and operating instructions of the switching device).
- The electric protection of the pump with three phase motor is obligatory.
- The pump with single-phase motor is cabled and delivered with a capacitor box and a thermic protection. This box has to be connected to the supply network with the cable provided to that effect.
- Connection of a float switch or a pressure switch. Disconnect the pump from the network before opening the box. Remove the strap and connect in its place the feed cable of the on/off switch and the earth cable if provided. Please refer to the terminal diagram inside the terminal box for details of the electrical connection.
- Levels regulation : to ensure that in off position, the water level is always 150 mm minimum over the suction sieve (see Fig. 3).

7. Starting up

7.1 Sense of rotation



NOTE: The pressure measured at the borehole outlet with closed valve corresponds to the head of the pump at zero output minus the height between ground level and water level.

Single-phase 230 V: No reverse risk

Three-phase 400 V: To determine the right sense of rotation of the unit, to compare the delivery pressure, and bear in mind that the right sense of rotation corresponds to the highest pressure.

Or by measuring the pressure, delivery valve closed and compare it to the required one.
In case of reverse sense of rotation, interchange the two phase wires inside the box or circuit breaker.

7.2 Operation



CAUTION! Possible damage of the pump

Never allow the pump to run dry or operate with the shut-off valve closed. The manufacturer's guarantee does not cover damage to the pump caused by dry running.

- Once again check all the electric connections, electric protection, rating of the fuse(s).
- Measure the current in each phase and compare with the nominal values mentioned on the nameplate.



CAUTION! Possible damage of the pump

Do not exceed the nominal current of the motor.

- After being submerged, the pump should be switched on and off several times to allow it to be ventilated.
- It is necessary to realize a hole \varnothing_3 in the piping (see Fig. 3) for to improve the air evacuation.
- Measure the power supply voltage with motor running.



NOTE: See 5.2 for allowed tolerance

8. Maintenance



DANGER! Before any operation, switch off the pump(s).

- If the sieve is obstructed, the flow rate decreases significantly, you must carry the pump back, dismantle the cover.
- The repairs on the pump and the modifications of the electric connection will be realized by a specialist or a after sales member only.
- It is advisable to mention the nameplate specifications at the time of a spare parts order.

9. Problems, causes and remedies

Problems	Causes	Remedies
Pump does not start up	Inadequate voltage or voltage drop	Check voltage on start-up, an insufficient cable cross-section can cause a voltage drop that prevents the motor from operating normally
	Motor power cable break	Measure the resistance between phases. Re-assemble the pump if required and check the cable
	Motor protection ON	Check the current set on thermal relay and compare it to the mentioned value Important: if it trips repetitively, do not insist (look at the cause). Forcing the unit to operation can damage the motor (by overheating) in a very short time limit
No output or a very low output	Very low voltage	Check the power supply at the switch box
	The suction strainer is obstructed	Reassemble the pump, clear and clean it
	The valve is closed	Open the valve
	The sense of rotation is not correct (three-phase motor)	Interchange the two phase wires inside the switch box
	The non return valve is jammed in the close position	Dismantle and clean the non return valve
	No water or very low water level in well	Check this level ; it must be at least 0.15 m above the sieve pump (during operating)
Very frequent starts of the pump	Pressure gauge contactor difference too low	Increase the gap between shutdown and start-up
	Inadequate float set-up	Adjust float location to ensure an appropriate time between pump ON/OFF
	Bladder tank capacity is too low or insufficiently inflated	Check and adjust pressures (ON/OFF) Check tank inflation. This pressure must be 0.3 bar less than the pump starting pressure Increase capacity with an additional tank or change the tank
	The non return valve leaked	Clean or change the non return valve



CAUTION! Possible damage of the pump

A common cause of faults is a silted-up or choked pump. The pump without stand must hang sufficiently high above the bottom of the shaft that it is not possible for it to silt up.

On repeated trippings of the overload protector it will be necessary to have the pump checked by a specialist or by WILO customer services.

If no solution can be found, please contact your plumbing and heating specialist or your nearest Wilo Customer Service or representative.

10. Assembly – Disassembly



CAUTION! Be careful not to mix part.

Unplug the pump.
(see FIG. 9a and 9b)

11. Spare parts

Spare parts are ordered via a local specialist dealer and/or Wilo customer service.

In order to avoid queries and incorrect orders, make sure to mention all data indicated on the rating plate when placing your order.

Subject to technical alterations!

D **EG - Konformitätserklärung**
GB ***EC – Declaration of conformity***
F ***Déclaration de conformité CEE***

Hiermit erklären wir, dass die Bauarten der Baureihe :

TWI 5"

Herewith, we declare that this product:

Par le présent, nous déclarons que cet agrégat :

in der gelieferten Ausführung folgenden einschlägigen Bestimmungen entspricht:

in its delivered state comply with the following relevant provisions:

est conforme aux dispositions suivants dont il relève:

EG-Maschinenrichtlinie
EC-Machinery directive
Directives CEE relatives aux machines

98/37/EG

Elektromagnetische Verträglichkeit - Richtlinie
Electromagnetic compatibility - directive
Compatibilité électromagnétique- directive

89/336/EWG

i.d.F/ as amended/ avec les amendements suivants:

91/263/EWG

92/31/EWG

93/68/EWG

Niederspannungsrichtlinie
Low voltage directive
Direction basse-tension

73/23/EWG

i.d.F/ as amended/ avec les amendements suivants :

93/68/EWG

Angewendete harmonisierte Normen, insbesondere:

Applied harmonized standards, in particular:

Normes harmonisées, notamment:

EN 809

EN 60034-1

EN 60204-1

EN 61000-3-2

EN 61000-3-3

Dortmund, 11.09.2006


Erwin Prieß
Quality Manager



WILO AG
Nortkirchenstraße 100

44263 Dortmund

<p>NL EG-verklaring van overeenstemming Hiermede verklaren wij dat dit aggregaat in de geleverde uitvoering voldoet aan de volgende bepalingen: EG-richtlijnen betreffende machines 98/37/EG Elektromagnetische compatibiliteit 89/336/EEG als vervolg op 91/263/EEG, 92/31/EEG, 93/68/EEG EG-laagspanningsrichtlijn 73/23/EEG als vervolg op 93/68/EEG</p> <p>Gebruikte geharmoniseerde normen, in het bijzonder: 1)</p>	<p>I Dichiarazione di conformità CE Con la presente si dichiara che i presenti prodotti sono conformi alle seguenti disposizioni e direttive rilevanti: Direttiva macchine 98/37/CE Compatibilità elettromagnetica 89/336/CEE e seguenti modifiche 91/263/CEE, 92/31/CEE, 93/68/CEE Direttiva bassa tensione 73/23/CEE e seguenti modifiche 93/68/CEE</p> <p>Norme armonizzate applicate, in particolare: 1)</p>	<p>E Declaración de conformidad CE Por la presente declaramos la conformidad del producto en su estado de suministro con las disposiciones pertinentes siguientes: Directiva sobre máquinas 98/37/CE Directiva sobre compatibilidad electromagnética 89/336/CEE modificada por 91/263/CEE, 92/31/CEE, 93/68/CEE Directiva sobre equipos de baja tensión 73/23/CEE modificada por 93/68/CEE</p> <p>Normas armonizadas adoptadas, especialmente: 1)</p>
<p>P Declaração de Conformidade CE Pela presente, declaramos que esta unidade no seu estado original, está conforme os seguintes requisitos: Directivas CEE relativas a máquinas 98/37/CE Compatibilidade electromagnética 89/336/CEE com os aditamentos seguintes 91/263/CEE, 92/31/CEE, 93/68/CEE Directiva de baixa voltagem 73/23/CEE com os aditamentos seguintes 93/68/CEE</p> <p>Normas harmonizadas aplicadas, especialmente: 1)</p>	<p>S CE- försäkrän Härmed förklarar vi att denna maskin i levererat utförande motsvarar följande tillämpliga bestämmelser: EG-Maskindirektiv 98/37/EG EG-Elektromagnetisk kompatibilitet – riktlinje 89/336/EWG med följande ändringar 91/263/EWG, 92/31/EWG, 93/68/EWG EG-Lågspänningsdirektiv 73/23/EWG med följande ändringar 93/68/EWG</p> <p>Tillämpade harmoniserade normer, i synnerhet: 1)</p>	<p>N EU-Overensstemmelseserklæring Vi erklærer hermed at denne enheten i utførelse som levert er i overensstemmelse med følgende relevante bestemmelser: EG-Maskindirektiv 98/37/EG EG-EMV-Elektromagnetisk kompatibilitet 89/336/EWG med senere tilføyelser: 91/263/EWG, 92/31/EWG, 93/68/EWG EG-Lavspenningsdirektiv 73/23/EWG med senere tilføyelser: 93/68/EWG</p> <p>Anvendte harmoniserte standarder, særlig: 1)</p>
<p>FIN CE-standardinmukaisuuseloste Ilmoitamme täten, että tämä laite vastaa seuraavia asiaankuuluvia määräyksiä: EU-konedirektiivit: 98/37/EG Sähkömagneettinen soveltuvuus 89/336/EWG seuraavin täsmennyksin 91/263/EWG 92/31/EWG, 93/68/EWG Matalajännite direktiivit: 73/23/EWG seuraavin täsmennyksin 93/68/EWG</p> <p>Käytetyt yhteensovitettut standardit, erityisesti: 1)</p>	<p>DK EF-overensstemmelseserklæring Vi erklærer hermed, at denne enhed ved levering overholder følgende relevante bestemmelser: EU-maskindirektiver 98/37/EG Elektromagnetisk kompatibilitet: 89/336/EWG, følgende 91/263/EWG, 92/31/EWG, 93/68/EWG Lavvoltage-direktiv 73/23/EWG følgende 93/68/EWG</p> <p>Anvendte harmoniserede standarder, særligt: 1)</p>	<p>H EK. Azonossági nyilatkozat Ezennel kijelentjük, hogy az berendezés az alábbiaknak megfelel: EK Irányelvek gépekhez: 98/37/EG Elektromágneses zavarás/tűrés: 89/336/EWG és az azt kiváltó 91/263/EWG, 92/31/EWG, 93/68/EWG Kisfeszültségű berendezések irány-Elve: 73/23/EWG és az azt kiváltó 93/68/EWG</p> <p>Felhasznált harmonizált szabványok, különösen: 1)</p>
<p>CZ Prohlášení o shodě EU Prohlašujeme tímto, že tento agregát v dodaném provedení odpovídá následujícím příslušným ustanovením: Směrnice EU – strojní zařízení 98/37/EG Směrnice EU – EMV 89/336/EWG ve sledu 91/263/EWG, 92/31/EWG, 93/68/EWG Směrnice EU – nízké napětí 73/23/EWG ve sledu 93/68/EWG</p> <p>Použité harmonizační normy, zejména: 1)</p>	<p>PL Deklaracja Zgodności CE Niniejszym deklarujemy z pełną odpowiedzialnością, że dostarczony wyrób jest zgodny z następującymi dokumentami: EC – dyrektywa dla przemysłu maszynowego 98/37/EG Odpowiedniość elektromagnetyczna 89/336/EWG ze zmianą 91/263/EWG, 92/31/EWG, 93/68/EWG Normie niskich napięć 73/23/EWG ze zmianą 93/68/EWG</p> <p>Wyroby są zgodne ze szczegółowymi normami zharmonizowanymi: 1)</p>	<p>RUS Декларация о соответствии Европейским нормам Настоящим документом заявляем, что данный агрегат в его объеме поставки соответствует следующим нормативным документам: Директивы ЕС в отношении машин 98/37/EG Электромагнитная устойчивость 89/336/EWG с поправками 91/263/EWG, 92/31/EWG, 93/68/EWG Директивы по низковольтному напряжению 73/23/EWG с поправками 93/68/EWG</p> <p>Используемые согласованные стандарты и нормы, в частности: 1)</p>
<p>GR Δήλωση προσαρ ογής της Ε.Ε. Δηλώνου ε ότι το προϊόν αυτό σ' αυτή την κατάσταση παράδοσης ικανοποιεί τις ακόλουθες διατάξεις: Οδηγίες EG για ηχανή στα 98/37/EG Ηλεκτρο αγνητική συ βατότητα EG-89/336/EWG όπως τροποποιήθηκε 91/263/EWG 92/31/EWG, 93/68/EWG Οδηγία χα ηλής τάσης EG-73/23/EWG όπως τροποποιήθηκε 93/68/EWG</p> <p>Εναρ ονισ ένα χρ ησι οποιού ένα πρότυπα, ιδιαίτερα: 1)</p>	<p>TR CE Uygunluk Teyid Belgesi Bu cihazın teslim edildiği eekliyle a'ğıdaki standartlara uygun olduğunu teyid ederiz: AB-Makina Standartları 98/37/EG Elektromanyetik Uyumluluk 89/336/EWG ve takip eden, 91/263/EWG, 92/31/EWG, 93/68/EWG Alçak gerilim direktifi 73/23/EWG ve takip eden, 93/68/EWG</p> <p>Kisimlen kullanılan standartlar: 1)</p>	<p>1) EN 809, EN 60034-1</p>


Erwin Prieß
Quality Manager



WILO AG
Nortkirchenstraße 100
44263 Dortmund



WILO AG
Nortkirchenstraße 100
44263 Dortmund
Germany
T +49 231 4102-0
F +49 231 4102-7363
www.wilo.com

Wilo – International (Subsidiaries)

Austria

WILO Handelsges. m.b.H.
1230 Wien
T +43 5 07507-0
F +43 5 07507-15
office@wilo.at

Azerbaijan

WILO Caspian LLC
1014 Baku
T +994 12 4992372
F +994 12 4992879
info@wilo.az

Belarus

WILO Bel OOO
220035 Minsk
T +375 17 2503393
F +375 17 2503383
wilobel@wilo.by

Belgium

WILO NV/SA
1083 Ganshoren
T +32 2 4823333
F +32 2 4823330
info@wilo.be

Bulgaria

WILO Bulgaria EOOD
1125 Sofia
T +359 2 9701970
F +359 2 9701979
info@wilo.bg

Canada

WILO Canada Inc.
Calgary, Alberta T2A5L4
T/F +1 403 2769456
bill.lowe@wilo-na.com

China

WILO SALMSON (Beijing)
Pumps System Ltd.
101300 Beijing
T +86 10 80493900
F +86 10 80493788
wilobj@wilo.com.cn

Croatia

WILO Hrvatska d.o.o.
10090 Zagreb
T +38 51 3430914
F +38 51 3430930
wilo-hrvatska@wilo.hr

Czech Republic

WILO Praha s.r.o.
25101 Cestlice
T +420 234 098 711
F +420 234 098 710
info@wilo.cz

Denmark

WILO Danmark A/S
2690 Karlslunde
T +45 70 253312
F +45 70 253316
wilo@wilo.dk

Estonia

WILO Eesti OÜ
12618 Tallinn
T +372 6509780
F +372 6509781
info@wilo.ee

Finland

WILO Finland OY
02320 Espoo
T +358 9 26065222
F +358 9 26065220
wilo@wilo.fi

France

WILO S.A.S.
78310 Coignières
T +33 1 30050930
F +33 1 34614959
info@wilo.fr

Great Britain

WILO (U.K.) Ltd.
DE14 2WJ Burton-on-Trent
T +44 1283 523000
F +44 1283 523099
sales@wilo.co.uk

Greece

WILO Hellas AG
14569 Anixi (Attika)
T +30 10 6248300
F +30 10 6248360
wilo.info@wilo.gr

Hungary

WILO Magyarország Kft
2045 Törökbálint
(Budapest)
T +36 23 889500
F +36 23 889599
wilo@wilo.hu

Ireland

WILO Engineering Ltd.
Limerick
T +353 61 227566
F +353 61 229017
sales@wilo.ie

Italy

WILO Italia s.r.l.
20068 Peschiera
Borromeo (Milano)
T +39 02 5538351
F +39 02 5530374
wilo.italia@wilo.it

Kazakhstan

WILO Central Asia TOO
050010 Almaty
T +7 3272 785961
F +7 3272 785960
info@wilo.kz

Korea

WILO Pumps Ltd.
621-807 Gimhae
Gyeongnam
T +82 55 3405809
F +82 55 3405885
wilo@wilo.co.kr

Latvia

WILO Baltic SIA
1019 Riga
T +371 7 145229
F +371 7 145566
mail@wilo.lv

Lebanon

WILO SALMSON
Lebanon s.a.r.l.
12022030 El Metn
T +961 4 722280
F +961 4 722285
wsl@cyberia.net.lb

Lithuania

WILO Lietuva UAB
03202 Vilnius
T/F +370 2 236495
mail@wilo.lt

The Netherlands

WILO Nederland b.v.
1948 RC Beverwijk
T +31 251 220844
F +31 251 225168
info@wilo.nl

Norway

WILO Norge A/S
0901 Oslo
T +47 22 804570
F +47 22 804590
wilo@wilo.no

Poland

WILO Polska Sp. z o.o.
05-090 Janki k/Warszawy
T +48 22 7026161
F +48 22 7026100
wilo@wilo.pl

Portugal

Bombas Wilo-Salmson
Portugal
4050-040 Porto
T +351 22 2080350
F +351 22 2001469
bombas@wilo-salmson.pt

Romania

WILO Romania s.r.l.
041833 Bucuresti
T +40 21 4600612
F +40 21 4600743
wilo@wilo.ro

Russia

WILO Rus o.o.o.
123592 Moskau
T +7 095 7810690
F +7 095 7810691
wilo@orc.ru

Serbia & Montenegro

WILO Beograd d.o.o.
11000 Belgrade
T +381 11 2850242
F +381 11 2850553
dragan.simonovic@wilo.co.yu

Slovakia

WILO Slovakia s.r.o.
82008 Bratislava 28
T +421 2 45520122
F +421 2 45246471
wilo@wilo.sk

Slovenia

WILO Adriatic d.o.o.
1000 Ljubljana
T +386 1 5838130
F +386 1 5838138
wilo.adriatic@wilo.si

Spain

WILO Ibérica S.A.
28806 Alcalá de Henares
(Madrid)
T +34 91 8797100
F +34 91 8797101
wilo.iberica@wilo.es

Sweden

EMB Pumpen AB
35246 Växjö
T +46 470 727600
F +46 470 727644
wilo@wilo.se

Switzerland

EMB Pumpen AG
4310 Rheinfelden
T +41 61 8368020
F +41 61 8368021
info@emb-pumpen.ch

Turkey

WILO Pompa Sistemleri
San. ve Tic. A.Ş.
34530 Istanbul
T +90 216 6610211
F +90 216 6610214
wilo@wilo.com.tr

Ukraine

WILO Ukraina t.o.w.
01033 Kiev
T +38 044 2011870
F +38 044 2011877
wilo@wilo.ua

USA

WILO-EMU LLC
Thomasville, Georgia
31758-7810
T +1 229 584 0098
F +1 229 584 0234
terry.rouse@wilo-emu.com

Wilo – International (Representation offices)

Bosnia and Herzegovina

71000 Sarajevo
T +387 33 714510
F +387 33 714511
zeljko.cvjetkovic@wilo.ba

Georgia

0177 Tbilisi
T/F +995 32 536459
info@wilo.ge

Macedonia

1000 Skopje
T/F +389 2122058
valerij.vojneski@wilo.com.mk

Moldova

2012 Chisinau
T/F +373 2 223501
sergiu.zagurean@wilo.md

Tajikistan

734025 Dushanbe
T +992 372 316275
info@wilo.tj

Uzbekistan

700046 Taschkent
T/F +998 71 1206774
info@wilo.uz

March 2006



WILO AG
Nortkirchenstraße 100
44263 Dortmund
Germany
T 0231 4102-0
F 0231 4102-7363
wilo@wilo.de
www.wilo.de

Wilo-Vertriebsbüros

G1 Nord

WILO AG
Vertriebsbüro Hamburg
Sinstorfer Kirchweg 74-92
21077 Hamburg
T 040 5559490
F 040 55594949

G2 Ost

WILO AG
Vertriebsbüro Berlin
Juliusstraße 52-53
12051 Berlin-Neukölln
T 030 6289370
F 030 62893770

G3 Sachsen/Thüringen

WILO AG
Vertriebsbüro Dresden
Frankenring 8
01723 Kesselsdorf
T 035204 7050
F 035204 70570

G4 Südost

WILO AG
Vertriebsbüro München
Landshuter Straße 20
85716 Unterschleißheim
T 089 4200090
F 089 42000944

G5 Südwest

WILO AG
Vertriebsbüro Stuttgart
Hertichstraße 10
71229 Leonberg
T 07152 94710
F 07152 947141

G6 Rhein-Main

WILO AG
Vertriebsbüro Frankfurt
An den drei Hasen 31
61440 Oberursel/Ts.
T 06171 70460
F 06171 704665

G7 West

WILO AG
Vertriebsbüro Düsseldorf
Westring 19
40721 Hilden
T 02103 90920
F 02103 909215

G8 Nordwest

WILO AG
Vertriebsbüro Hannover
Ahrensburger Straße 1
30659 Hannover-Lahe
T 0511 438840
F 0511 4388444

Zentrale Auftragsbearbeitung für den Fachgroßhandel

WILO AG
Auftragsbearbeitung
Nortkirchenstraße 100
44263 Dortmund
T 0231 4102-0
F 0231 4102-7555

Wilo-Kompetenz-Team

- Antworten auf alle Fragen rund um das Produkt, Lieferzeiten, Versand, Verkaufspreise
- Abwicklung Ihrer Aufträge
- Ersatzteilbestellungen – mit 24-Stunden-Lieferzeit für alle gängigen Ersatzteile
- Versand von Informationsmaterial

T 01805 R•U•F•W•I•L•O*
7•8•3•9•4•5•6
F 0231 4102-7666

**Werktags erreichbar
von 7-18 Uhr**

Wilo-Kundendienst

WILO AG
Wilo-Service-Center
Nortkirchenstraße 100
44263 Dortmund

- Kundendienststeuerung
- Wartung und Inbetriebnahme
- Werksreparaturen
- Ersatzteilberatung

T 01805 W•I•L•O•K•D*
9•4•5•6•5•3
0231 4102-7900
F 0231 4102-7126

**Werktags erreichbar von
7-17 Uhr.
Wochenende und
Feiertags 9-14 Uhr
elektronische Bereitschaft
mit Rückruf-Garantie!**

Wilo-International

Österreich

Zentrale Wien:
WILO Handelsgesellschaft mbH
Eitnergasse 13
1230 Wien
T +43 5 07507-0
F +43 5 07507-15

Vertriebsbüro Salzburg:
Gnigler Straße 56
5020 Salzburg
T +43 5 07507-0
F +43 5 07507-15

Vertriebsbüro Oberösterreich:
Trattnachtalstraße 7
4710 Grieskirchen
T +43 5 07507-0
F +43 5 07507-15

Schweiz

EMB Pumpen AG
Gerstenweg 7
4310 Rheinfelden
T +41 61 8368020
F +41 61 8368021

Standorte weiterer Tochtergesellschaften

Aserbaidschan, Belarus, Belgien, Bulgarien, China, Dänemark, Estland, Finnland, Frankreich, Griechenland, Großbritannien, Irland, Italien, Kanada, Kasachstan, Korea, Kroatien, Lettland, Libanon, Litauen, Niederlande, Norwegen, Polen, Portugal, Rumänien, Russland, Schweden, Serbien & Montenegro, Slowakei, Slowenien, Spanien, Tschechien, Türkei, Ukraine, Ungarn, USA

Die Adressen finden Sie unter
www.wilo.de oder
www.wilo.com.

Stand Januar 2006
* 12 Cent pro Minute