



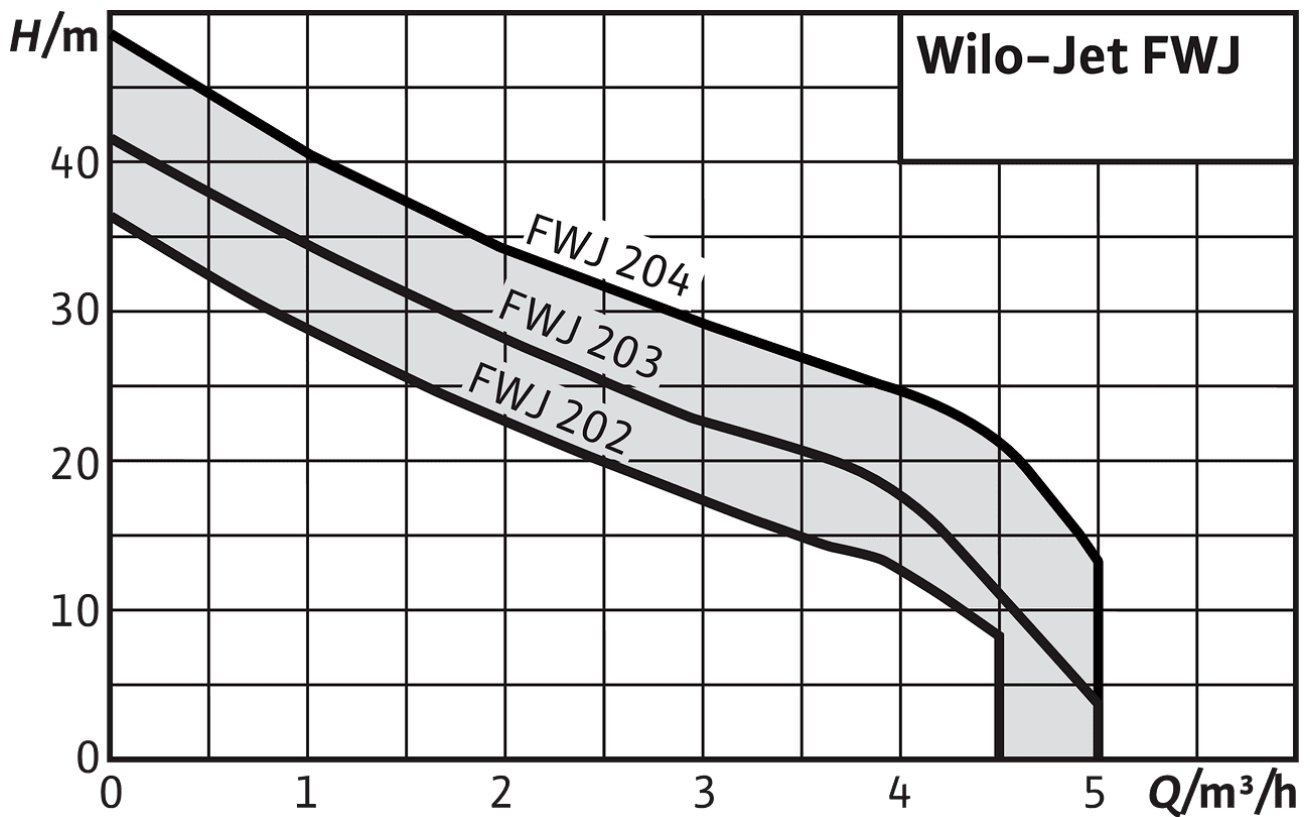
Your advantages

- > Ideal for use in outside areas (hobby, garden) thanks to durable construction; continuously good performance thanks to corrosion-free materials
- > Completely preassembled system, simple installation and maintenance through Plug&Pump system and 360° rotatable display, which means that it can be read from any direction
- > Electronic pump control
- > High operational reliability thanks to dry-running protection

Recommended services



Wilo-Live Assistant



Design

Self-priming water-supply units

Application

For pumping water and rainwater from wells and tanks for:

- > Sprinkling
- > Irrigation and spraying

Equipment/function

- > Directly flanged motor
- > Connection cable with plug
- > Thermal motor protection switch
- > Automatic pump control
- > Low-water cut-out switchgear

Typekey

Example: **FWJ-202-EM**

Jet FWJ

System consisting of Wilo jet pump with integrated automatic (Fluidcontrol)

2

Nominal flow rate Q in m³/h at optimum efficiency

02

Index for pump pressure (02 < 03 < 04): □version 02 with lower pressure than version 03 or 04 □(no indication of number of impellers)

EM

Single-phase current, alternating current, 1~230 V, 50 Hz

/3

Version of the system with Wilo-HiControl 1

Technical data

For Wilo-Jet FWJ:

- > Mains connection: 1~230 V, 50 Hz
- > Perm. inlet pressure: Max. 1 bar
- > Start-up pressure: 1.5 bar
- > Switch off volume flow: 95 l/h
- > Perm. fluid temperature: +5 °C to +35 °C □(+55 °C for 10 min)
- > Perm. operating pressure: Max. 6 bar
- > Protection class: IP 44
- > Pressure-side connection: R1
- > Suction-side connection: G1

For the wibutler communication box:

- > Standard communication/frequency: □EnOcean / 868 MHz, Z-Wave / 868 MHz, Zigbee / 2.4 GHz, WLAN / 802.11 b/g/n 2.4 GHz
- > Power supply: □1~ 100 - 240 V AC / 50-60 Hz
- > Plug type: EU plug
- > Miscellaneous: Integrated loudspeaker, integrated 8 GB SSD, □1 GB DDR3-RAM, 1 GHz CPU ARMADA 370 ARM v7, □1 x Ethernet-RJ45, 1 x 3.5 mm stereo output
- > Manufacturer: iXERGY

Materials

- > Pump housing made of 1.4301 stainless steel
- > Impeller made of 1.4301 stainless steel
- > Shaft 1.4005 stainless steel
- > Mechanical seal made of carbon/ceramic
- > Stage chambers made of Noryl
- > Pressure monitor housing made of nylon PA6
- > Diffuser/injector made of Noryl
- > Seal made of NBR

Delivery state

- > Wilo-Jet WJ pump
- > Pump control Wilo-HiControl 1
- > Installation and operating instructions for the Wilo-Jet WJ pump
- > Installation and operating instructions for the Wilo-HiControl 1 switchgear
- > Optional carrying handle

Product list

Product description	Mains connection	Rated power P_2	Gross weight, approx. m	Article number
Jet FWJ 202	1~230 V, 50 Hz	0.55 kW	14.4 kg	2543629
Jet FWJ 203	1~230 V, 50 Hz	0.75 kW	14.8 kg	2543630
Jet FWJ 204	1~230 V, 50 Hz	1 kW	16.1 kg	2543631

Data sheet

Hydraulic data

Maximum operating pressure <i>P_N</i>	6 bar
Pressure port	G 1
Max. delivery head <i>H</i>	34 m
Min. fluid temperature <i>T_{min}</i>	5 °C
Max. fluid temperature <i>T_{max}</i>	35 °C
Min. ambient temperature <i>T_{min}</i>	3 °C
Max. ambient temperature <i>T_{max}</i>	40 °C

Motor data

Mains connection	1~230 V, 50 Hz
Voltage tolerance	±6 %
Shaft power <i>P₂</i> (<i>Q</i> =max.) of selected impeller * number of pumps <i>NO VALUE</i>	550 W
Rated power <i>P₂</i>	0.55 kW
Rated current <i>I_N</i>	4 A
Rated speed <i>n</i>	2900 1/min
Power factor <i>cos φ</i>	0.98
Insulation class	B
Protection class	IP44

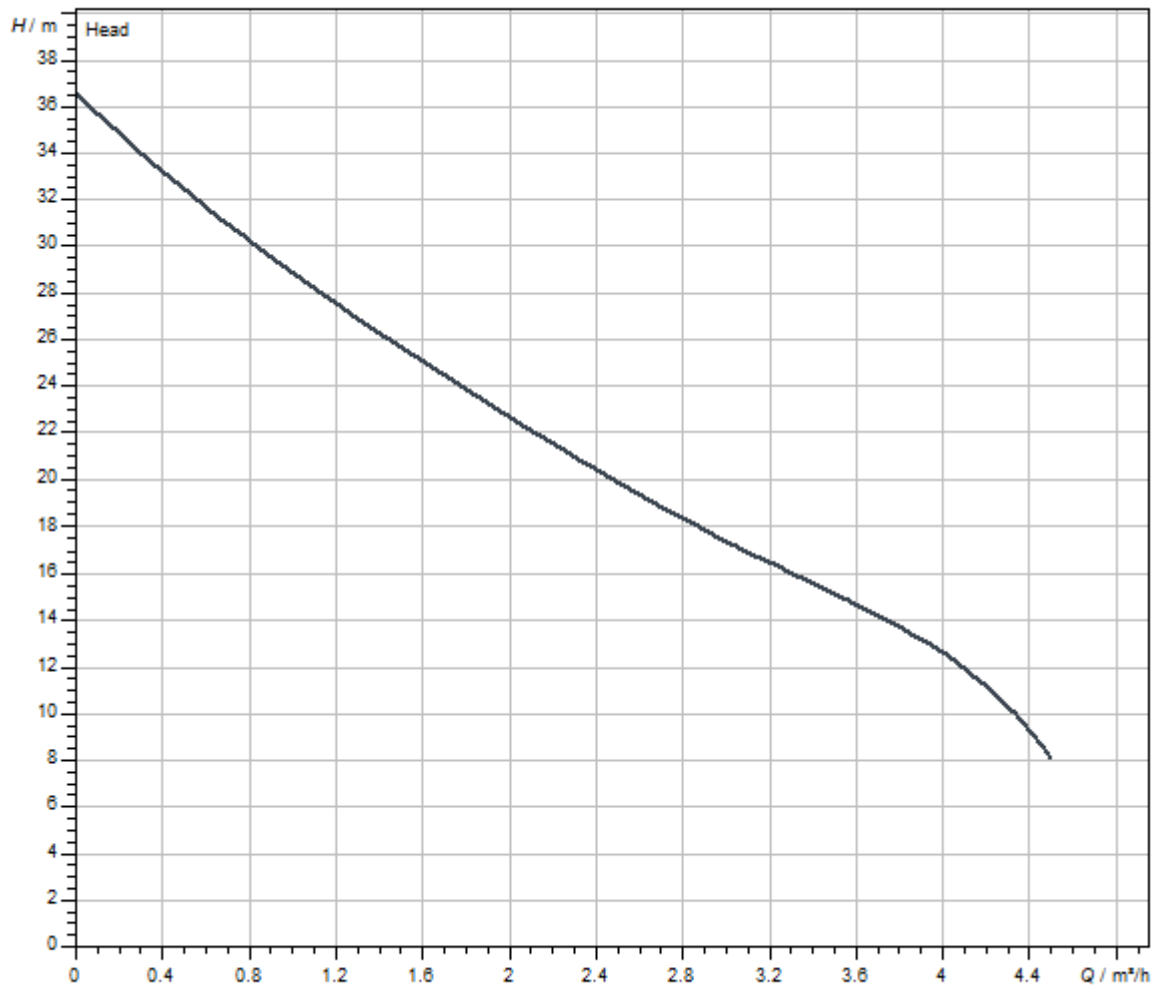
Materials

Pump housing	Stainless steel
Impeller	Stainless steel
Shaft	Stainless steel
Shaft seal	CVPFF
Gasket material	NBR

Installation dimensions

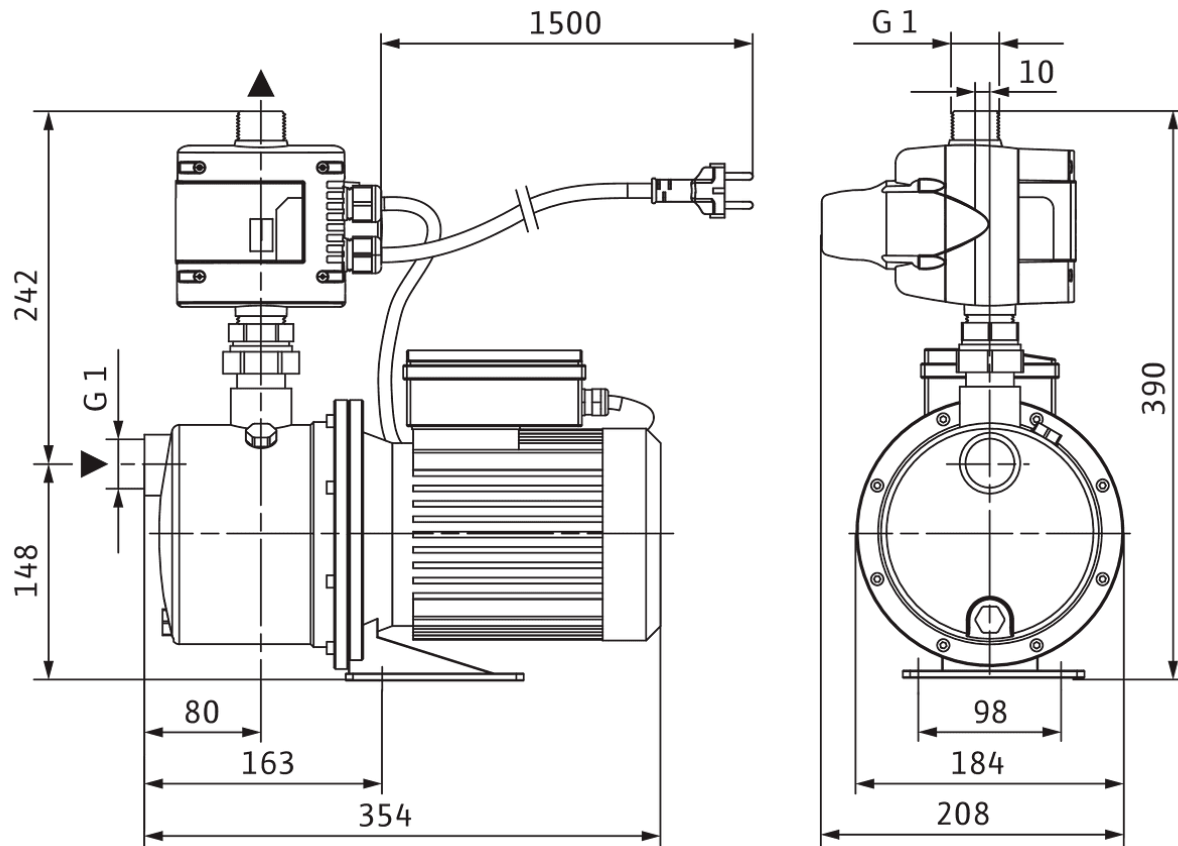
Pipe connection on the suction side <i>D_{Ns}</i>	G 1
Pipe connection on the discharge side <i>D_{Nd}</i>	G 1

Pump curves



Dimensions and dimensions drawings

Jet FWJ 202



Ordering information

Product data

Brand	Wilo
Product description	Jet FWJ 202
Article number	2543629
EAN number	4048482504605
Colour	green/silver
Minimum order quantity	1
Date of sales availability	2015-03-01

Dimension, weight

Length with packaging	480 mm
Length <i>L</i>	354 mm
Height with packaging	490 mm
Height <i>H</i>	390 mm
Width with packaging	280 mm
Width <i>W</i>	208 mm
Gross weight, approx. <i>m</i>	14.4 kg
Net weight, approx. <i>m</i>	11.7 kg

Packaging

Number per layer	6
Packaging property	Sales packaging
Packaging type	Cardboard box
Pieces per pallet	12

Tender text

Centrifugal pump system with compact design with horizontal suction and vertical pressure port, consisting of: self-priming jet pump incl. support frame. Directly flanged AC motor with built-in thermal motor protection switch and condenser.

Pump control via electronic pressure and flow monitor with built-in low-water protection and non-return valve. All parts that come into contact with the fluid are

corrosion-proof. Pump system ready for connection and pre-assembled and wired with 2 m cable and mains plug. It is therefore ideally suited for mobile use in gardens and hobby areas.

Operating Data

Max. delivery head H	34 m
------------------------	------

Product data

Maximum operating pressure P_N	6 bar
Min. fluid temperature T_{\min}	5 °C
Max. fluid temperature T_{\max}	35 °C
Max. ambient temperature T_{\max}	40 °C

Motor data

Mains connection	1~230 V, 50 Hz
Voltage tolerance	±6 %
Power factor $\cos \phi$	0.98
Rated power P_2	0.55 kW
Rated current I_N	4 A
Rated speed n	2900 1/min
Insulation class	B
Protection class	IP44

Materials

Pump housing	Stainless steel
Impeller	Stainless steel
Shaft	Stainless steel
Shaft seal	CVPFF
Gasket material	NBR

Installation dimensions

Pipe connection on the suction side D_Ns	G 1
Pipe connection on the discharge side D_Nd	G 1

Ordering information

Brand	Wilo
Product description	Jet FWJ 202
Net weight, approx. m	11.7 kg
Article number	2543629

Data sheet

Hydraulic data

Maximum operating pressure <i>P_N</i>	6 bar
Pressure port	G 1
Max. delivery head <i>H</i>	43 m
Min. fluid temperature <i>T_{min}</i>	5 °C
Max. fluid temperature <i>T_{max}</i>	35 °C
Min. ambient temperature <i>T_{min}</i>	3 °C
Max. ambient temperature <i>T_{max}</i>	40 °C

Motor data

Mains connection	1~230 V, 50 Hz
Voltage tolerance	±6 %
Shaft power <i>P₂</i> (<i>Q</i> =max.) of selected impeller * number of pumps <i>NO VALUE</i>	750 W
Rated power <i>P₂</i>	0.75 kW
Rated current <i>I_N</i>	5.2 A
Rated speed <i>n</i>	2900 1/min
Power factor <i>cos φ</i>	0.98
Insulation class	B
Protection class	IP44

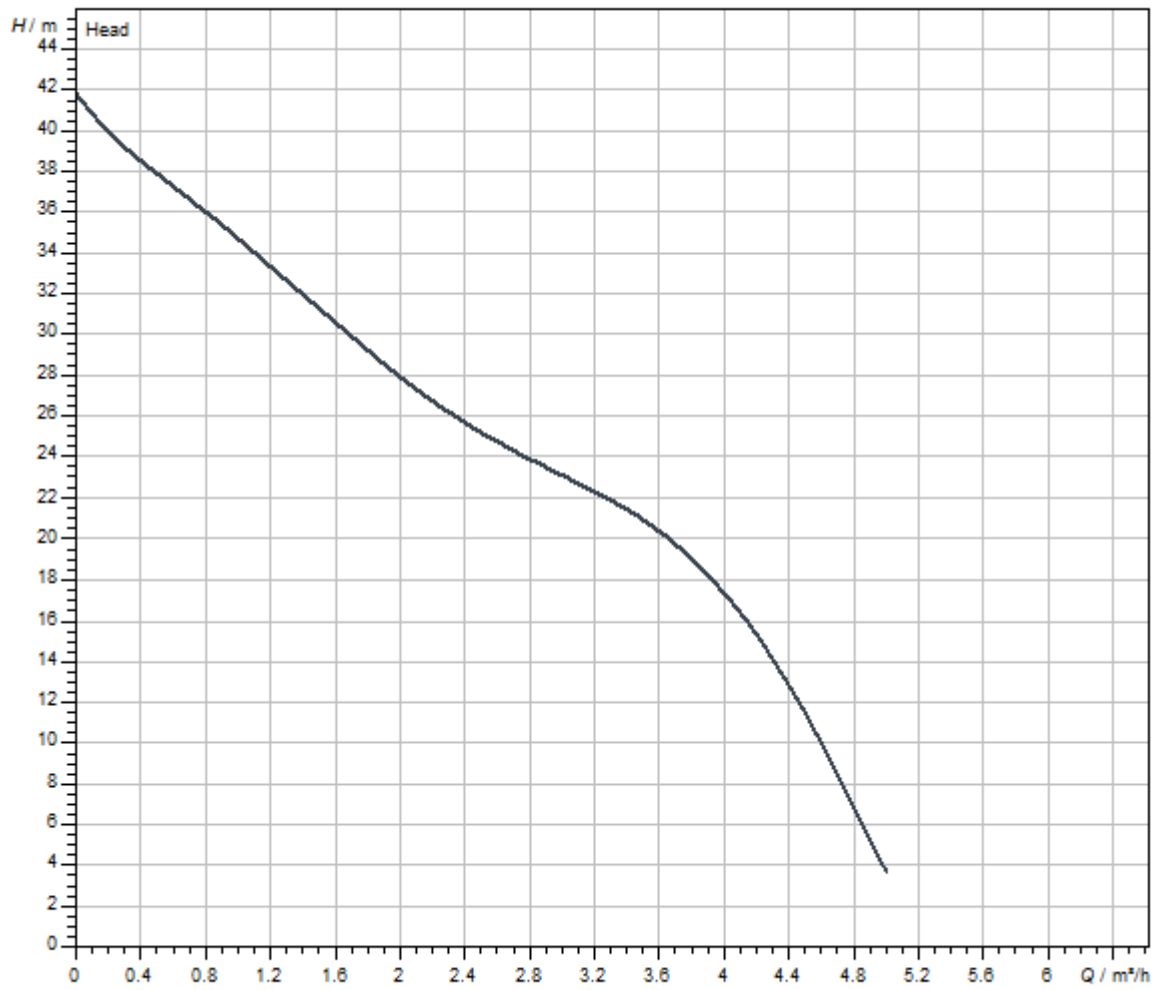
Materials

Pump housing	Stainless steel
Impeller	Stainless steel
Shaft	Stainless steel
Shaft seal	CVPFF
Gasket material	NBR

Installation dimensions

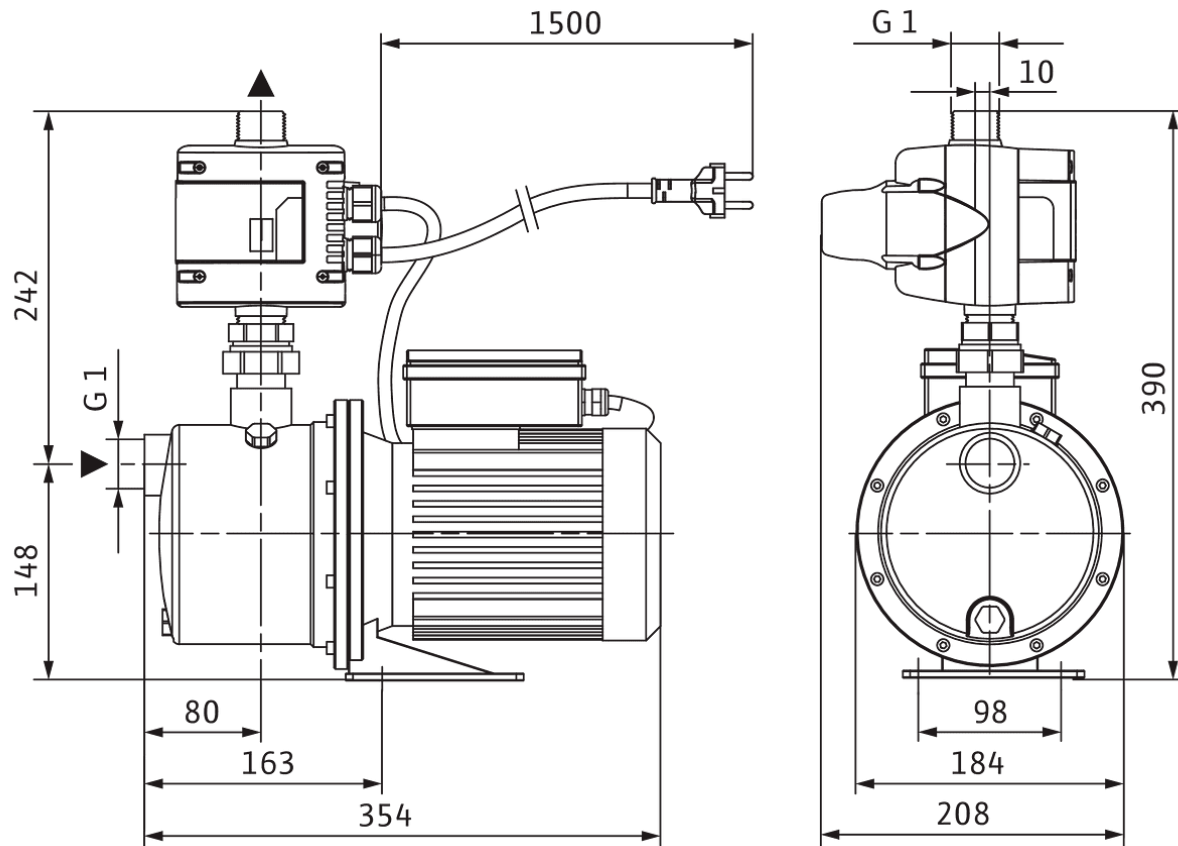
Pipe connection on the suction side <i>D_{Ns}</i>	G 1
Pipe connection on the discharge side <i>D_{Nd}</i>	G 1

Pump curves



Dimensions and dimensions drawings

Jet FWJ 203



Ordering information

Product data

Brand	Wilo
Product description	Jet FWJ 203
Article number	2543630
EAN number	4048482504612
Colour	green/silver
Minimum order quantity	1
Date of sales availability	2015-03-01

Dimension, weight

Length with packaging	480 mm
Length <i>L</i>	354 mm
Height with packaging	490 mm
Height <i>H</i>	390 mm
Width with packaging	280 mm
Width <i>W</i>	208 mm
Gross weight, approx. <i>m</i>	14.8 kg
Net weight, approx. <i>m</i>	12.1 kg

Packaging

Number per layer	6
Packaging property	Sales packaging
Packaging type	Cardboard box
Pieces per pallet	12

Tender text

Centrifugal pump system with compact design with horizontal suction and vertical pressure port, consisting of: self-priming jet pump incl. support frame. Directly flanged AC motor with built-in thermal motor protection switch and condenser.

Pump control via electronic pressure and flow monitor with built-in low-water protection and non-return valve. All parts that come into contact with the fluid are

corrosion-proof. Pump system ready for connection and pre-assembled and wired with 2 m cable and mains plug. It is therefore ideally suited for mobile use in gardens and hobby areas.

Operating Data

Max. delivery head H	43 m
------------------------	------

Product data

Maximum operating pressure P_N	6 bar
Min. fluid temperature T_{\min}	5 °C
Max. fluid temperature T_{\max}	35 °C
Max. ambient temperature T_{\max}	40 °C

Motor data

Mains connection	1~230 V, 50 Hz
Voltage tolerance	±6 %
Power factor $\cos \phi$	0.98
Rated power P_2	0.75 kW
Rated current I_N	5.2 A
Rated speed n	2900 1/min
Insulation class	B
Protection class	IP44

Materials

Pump housing	Stainless steel
Impeller	Stainless steel
Shaft	Stainless steel
Shaft seal	CVPFF
Gasket material	NBR

Installation dimensions

Pipe connection on the suction side D_Ns	G 1
Pipe connection on the discharge side D_Nd	G 1

Ordering information

Brand	Wilo
Product description	Jet FWJ 203
Net weight, approx. m	12.1 kg
Article number	2543630

Data sheet

Hydraulic data

Maximum operating pressure <i>P_N</i>	6 bar
Pressure port	G 1
Max. delivery head <i>H</i>	50 m
Min. fluid temperature <i>T_{min}</i>	5 °C
Max. fluid temperature <i>T_{max}</i>	35 °C
Min. ambient temperature <i>T_{min}</i>	3 °C
Max. ambient temperature <i>T_{max}</i>	40 °C

Motor data

Mains connection	1~230 V, 50 Hz
Voltage tolerance	±6 %
Shaft power <i>P₂</i> (<i>Q</i> =max.) of selected impeller * number of pumps <i>NO VALUE</i>	1000 W
Rated power <i>P₂</i>	1 kW
Rated current <i>I_N</i>	6.2 A
Rated speed <i>n</i>	2900 1/min
Power factor <i>cos φ</i>	0.91
Insulation class	B
Protection class	IP44

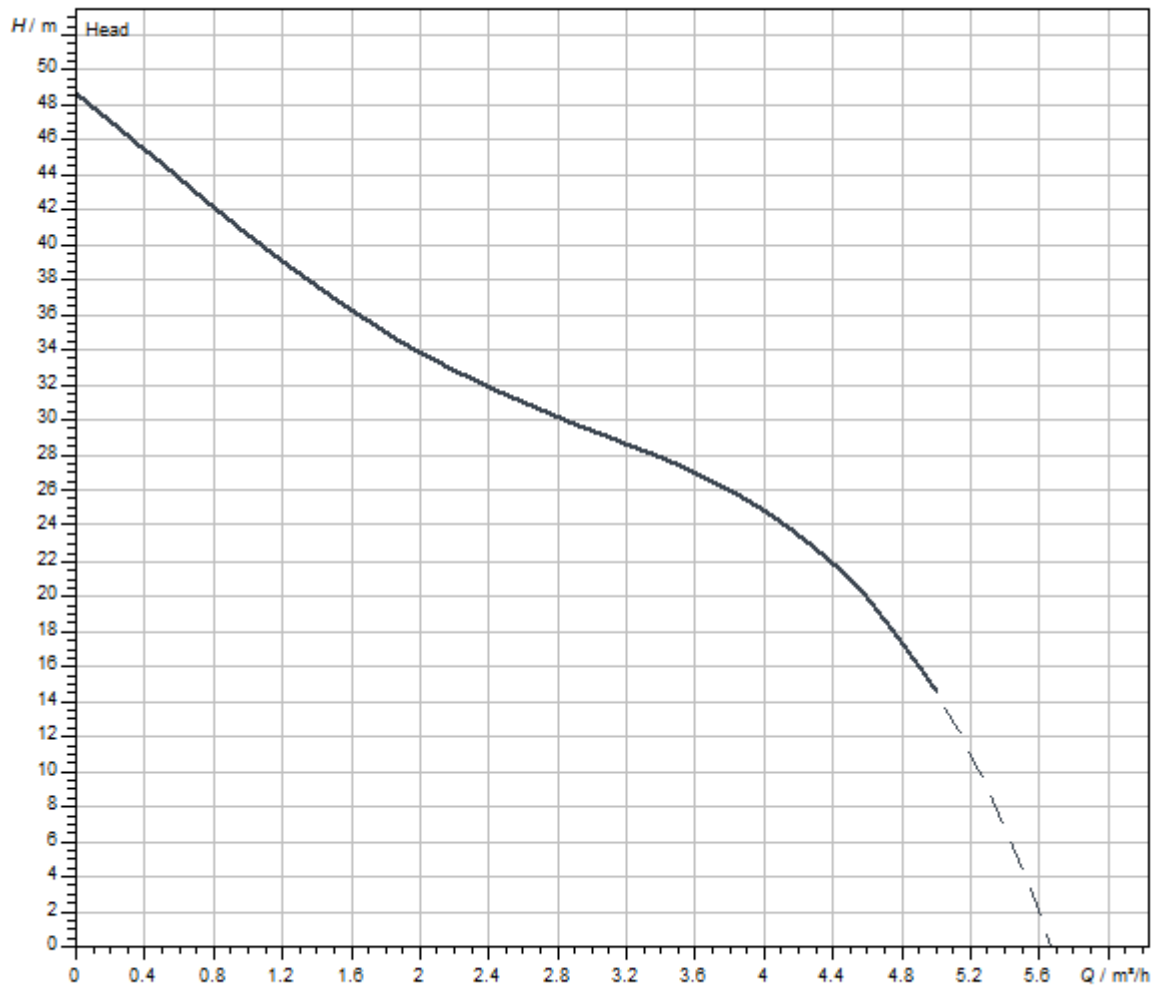
Materials

Pump housing	Stainless steel
Impeller	Stainless steel
Shaft	Stainless steel
Shaft seal	CVPFF
Gasket material	NBR

Installation dimensions

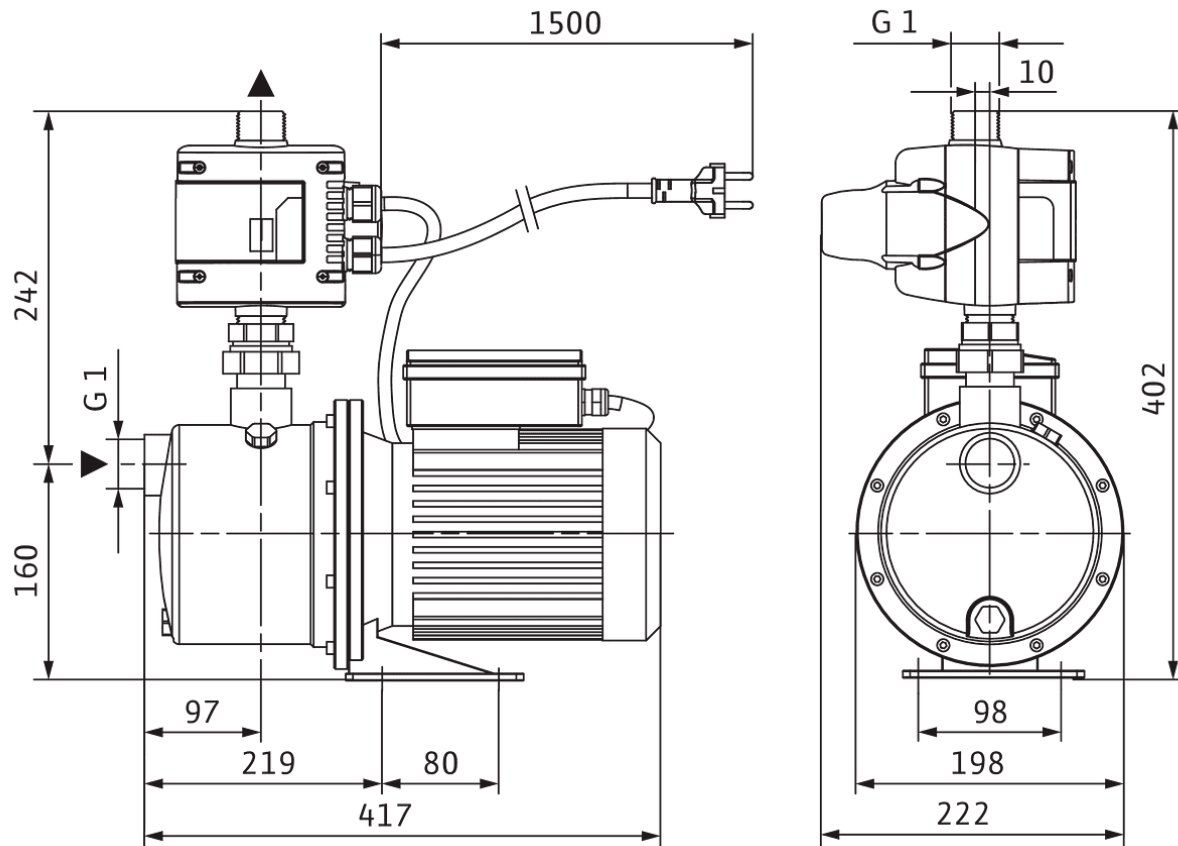
Pipe connection on the suction side <i>D_{Ns}</i>	G 1
Pipe connection on the discharge side <i>D_{Nd}</i>	G 1

Pump curves



Dimensions and dimensions drawings

Jet FWJ 204



Ordering information

Product data

Brand	Wilo
Product description	Jet FWJ 204
Article number	2543631
EAN number	4048482504629
Colour	green/silver
Minimum order quantity	1
Date of sales availability	2015-03-01

Dimension, weight

Length with packaging	480 mm
Length <i>L</i>	417 mm
Height with packaging	490 mm
Height <i>H</i>	402 mm
Width with packaging	280 mm
Width <i>W</i>	222 mm
Gross weight, approx. <i>m</i>	16.1 kg
Net weight, approx. <i>m</i>	13.4 kg

Packaging

Number per layer	6
Packaging property	Sales packaging
Packaging type	Cardboard box
Pieces per pallet	12

Tender text

Centrifugal pump system with compact design with horizontal suction and vertical pressure port, consisting of: self-priming jet pump incl. support frame. Directly flanged AC motor with built-in thermal motor protection switch and condenser.

Pump control via electronic pressure and flow monitor with built-in low-water protection and non-return valve. All parts that come into contact with the fluid are

corrosion-proof. Pump system ready for connection and pre-assembled and wired with 2 m cable and mains plug. It is therefore ideally suited for mobile use in gardens and hobby areas.

Operating Data

Max. delivery head H	50 m
------------------------	------

Product data

Maximum operating pressure P_N	6 bar
Min. fluid temperature T_{\min}	5 °C
Max. fluid temperature T_{\max}	35 °C
Max. ambient temperature T_{\max}	40 °C

Motor data

Mains connection	1~230 V, 50 Hz
Voltage tolerance	±6 %
Power factor $\cos \phi$	0.91
Rated power P_2	1 kW
Rated current I_N	6.2 A
Rated speed n	2900 1/min
Insulation class	B
Protection class	IP44

Materials

Pump housing	Stainless steel
Impeller	Stainless steel
Shaft	Stainless steel
Shaft seal	CVPFF
Gasket material	NBR

Installation dimensions

Pipe connection on the suction side D_Ns	G 1
Pipe connection on the discharge side D_Nd	G 1

Ordering information

Brand	Wilo
Product description	Jet FWJ 204
Net weight, approx. m	13.4 kg
Article number	2543631