



**Franklin Electric**

# MHp SERIES 50 HZ

HORIZONTAL MULTISTAGE SELF-PRIMING PUMPS



# MHp - Horizontal multistage self-priming pumps

Watch the YouTube videos:



Stay up to date with the online version:

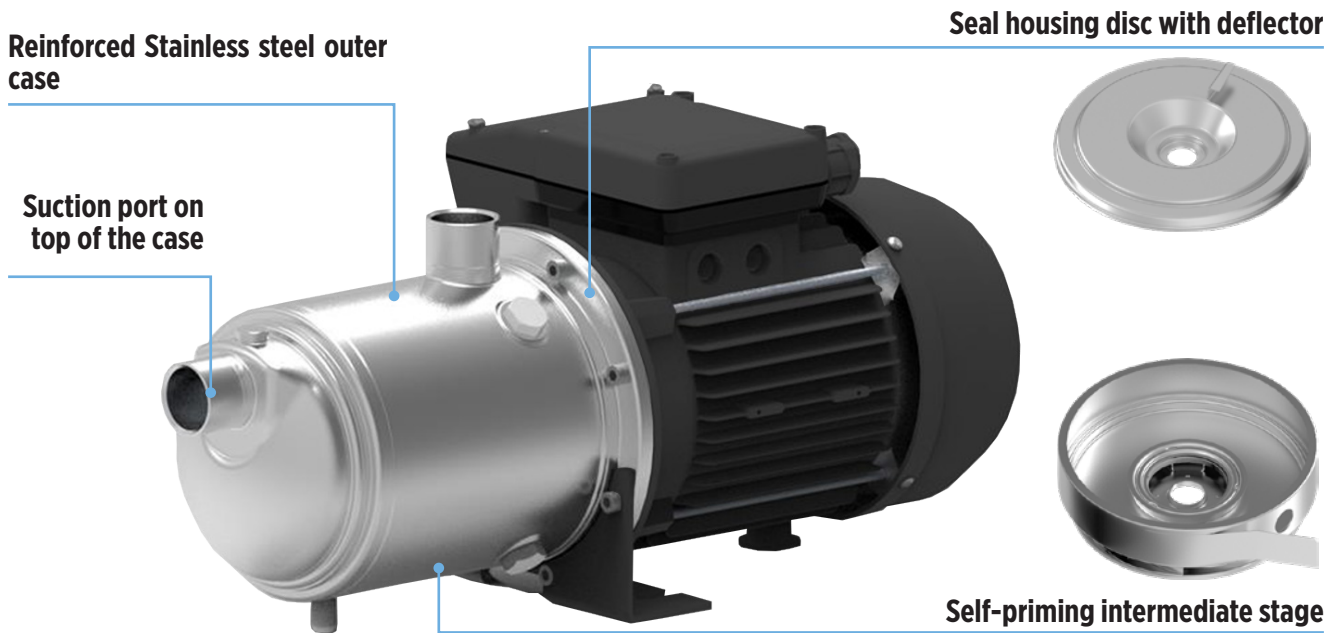


Select your pump now:








Pump selector

# MHp - Horizontal multistage self-priming pumps



New model designed to ensure high performance in every application.

## Features and benefits

- 
**MECHANICAL SEAL SIC/SIC/EPDM**  
 Outstanding strength and durability, engineered even for the most demanding conditions
- 
**PRIMING CAPACITY IN ANY SITUATION**  
 Smart design due to the self-priming intermediate stage which moves air bubbles outside
- 
**SUITABLE FOR INDUSTRIAL APPLICATION**  
 HVAC, fertigation, cooling systems, pressure boosting
- 
**HIGH PROTECTION OF MECHANICAL SEAL**  
 Seal housing disc with deflector which protects mechanical seal from air bubbles
- 
**REDUCED RISK OF DOWNTIME**  
 Thanks to the new priming system

## Technical data

- Models:
  - MHp 3/04, 3/05, 3/06, 3/07
  - MHp 5/04, 5/05, 5/06, 5/07
- Flow: up to 7.8 m<sup>3</sup>/h
- Total Head: up to 82 m
- Motor power: 0.55 - 1.5 kW
- Maximum suction height : 8 m
- Maximum working pressure: 10 bar
- Maximum liquid temperature:
  - Single-phase 55 °C
  - Three-phase 85 °C



Pressure boosting in residential buildings



Heating and conditioning



Fertigation



General industry

# MHp - Horizontal multistage self-priming pumps

## GENERAL FEATURES

Model		3	5
Rated flow [m <sup>3</sup> /h]		3	5
Maximum liquid temperature [°C]	Single-phase	55 °C	
	Three-phase	85 °C	
Max. η hydraulic		45,5	56,8
Flow range [m <sup>3</sup> /h]		1,5 - 4	2 - 7
Maximum working pressure [bar]		10	
Material versions		I (AISI 304)	
Hydraulic connections (dimensions)		Rp (inlet - outlet) - Standard 1" x 1"	

## PRODUCT IDENTIFICATION CODE

3	MH	p	04	-	I	S	-	T	S	B	007	-	QQE	-	W2
Rated flow [m <sup>3</sup> /h]	Pump model	Versions : "p" (Self-priming)	Number of stages	Material versions: "I" (AISI304)	Pump version: "S" (Standard)	Motor phase: "M" (Single-phase), "T" (Three phase)	Frequency: "5" (50 Hz)	Motor voltage: "2" (230V), "B" (230/400V)	Motor power (kWx10)	Mechanical seal: "QQE" (Silicon carbide/Silicon carbide/EPDM)	Motor type				

004009 01/2026

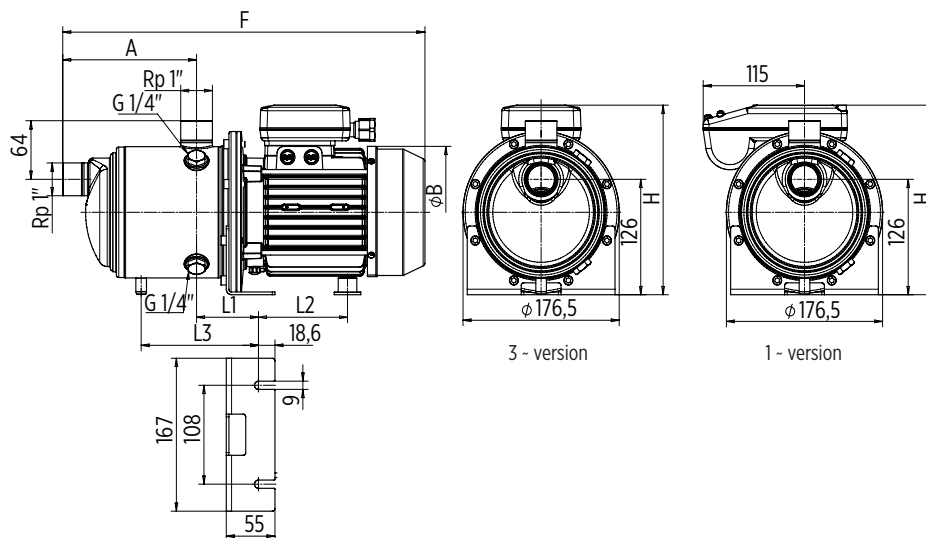
## Technical data

### 1 ~ ELECTRIC PUMP TECHNICAL DATA

Pump model	Motor size	Motor nominal power		Input power [kW]	Capacitor 450 V [μF]	Input current [A] 220-240 V	Dimensions [mm]						Weight [kg]	
		[kW]	[HP]				A	F	ØB	H	L1	L2		L3
3MHp04-I-M52005-QQE	71	0,55	0,75	0,76	16	3,7	127	388	137	195	70	121	-	12,6
3MHp05-I-M52007-QQE	71	0,75	1	0,91	20	4,3	151	412	137	195	70	121	-	13,2
3MHp06-I-M52011-QQE	80	1,1	1,5	1,13	30	5,4	175	436	154	205	70	128	-	17,2
3MHp07-I-M52011-QQE	80	1,1	1,5	1,28	30	6	199	460	154	205	70	128	180	17,8
5MHp04-I-M52011-QQE	80	1,1	1,5	1,1	30	5,3	127	388	154	205	70	128	-	16,2
5MHp05-I-M52011-QQE	80	1,1	1,5	1,32	30	6,2	151	412	154	205	70	128	-	16,8
5MHp06-I-M52015-QQE	80	1,5	2	1,53	40	7,3	175	478	154	205	70	128	-	19,8
5MHp07-I-M52015-QQE	80	1,5	2	1,74	40	8,2	199	502	154	205	70	128	180	20,2

### 3 ~ ELECTRIC PUMP TECHNICAL DATA

Pump model	Motor size	Motor nominal power		Input power [kW]	Input current [A]		Dimensions [mm]						Weight [kg]	
		[kW]	[HP]		220-240 V	380-415 V	A	F	ØB	H	L1	L2		L3
3MHp04-I-T5B007-QQE	71	0,75	1	0,72	2,4	1,4	127	408	137	195	70	120,6	-	12,2
3MHp05-I-T5B007-QQE	71	0,75	1	0,87	2,7	1,6	151	432	137	195	70	120,6	-	12,6
3MHp06-I-T5B011-QQE	80	1,1	1,5	1,1	3,6	2,1	175	477	154	205	70	128	-	16,8
3MHp07-I-T5B011-QQE	80	1,1	1,5	1,3	4	2,3	199	501	154	205	70	128	180	17,4
5MHp04-I-T5B011-QQE	80	1,1	1,5	1,1	3,6	2,1	127	429	154	205	70	128	-	15,8
5MHp05-I-T5B011-QQE	80	1,1	1,5	1,3	4	2,3	151	453	154	205	70	128	-	16,2
5MHp06-I-T5B015-QQE	80	1,5	2	1,5	5	2,9	175	478	162	205	70	128	-	18
5MHp07-I-T5B015-QQE	80	1,5	2	1,72	5,5	3,2	199	502	162	205	70	128	180	18,4



9202/01/95020100

# MHp 3 - Hydraulic performance at 50 Hz

## SINGLE-PHASE

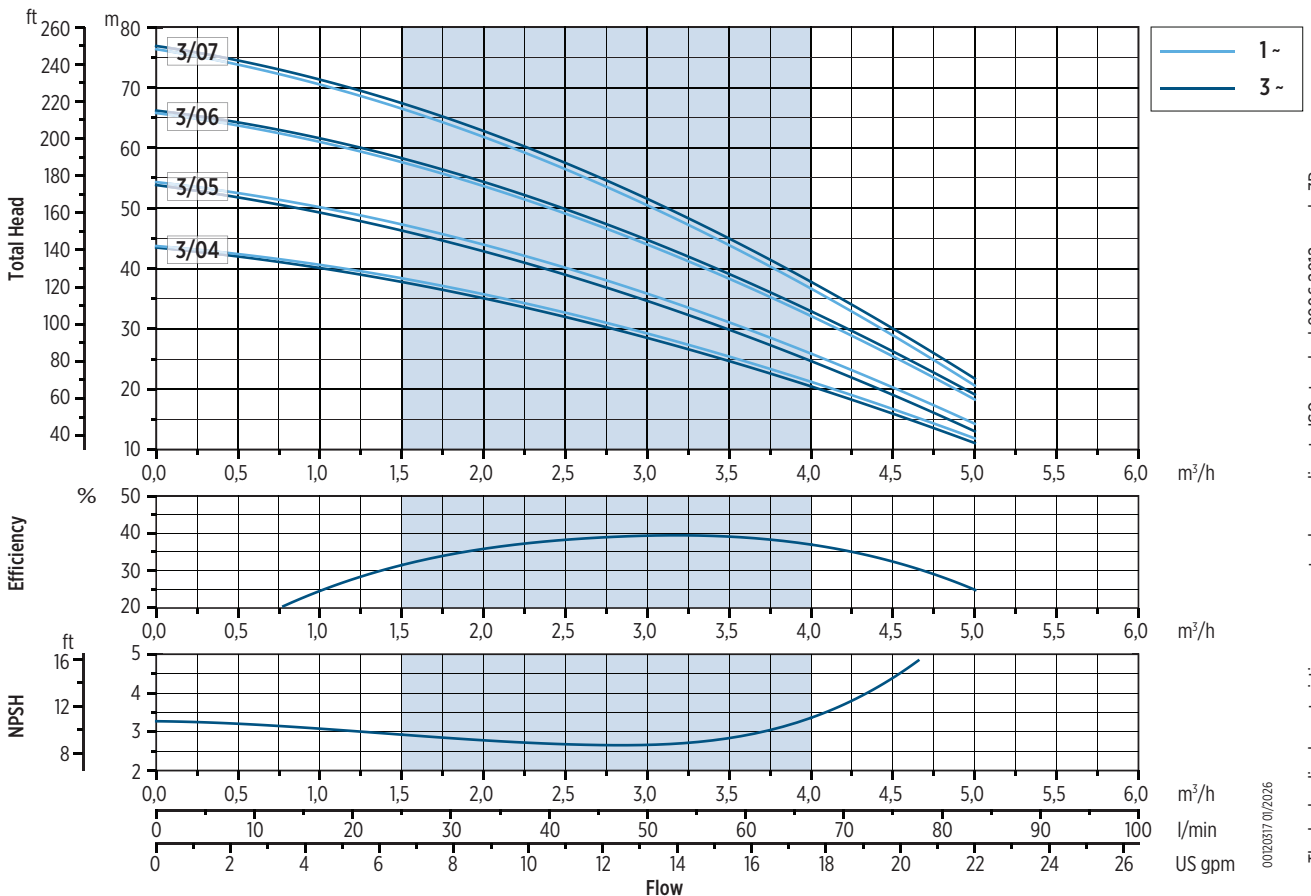
Pump model	Rated power		Q = Delivery							
			l/min 0	16,6	25	28,3	41,7	50	66,7	83,3
			m <sup>3</sup> /h 0	1	1,5	1,7	2,5	3	4	5
	US gpm 0	4,4	6,6	7,5	11	13,2	17,6	22		
	[kW]	[HP]	H = Total meters head of water column [m]							
3MHp04-I-M52005-QQE	0,55	0,75	43,5		38,4	37,4	32,5	29	21,4	
3MHp05-I-M52007-QQE	0,75	1	54,1		47,3	46,1	39,9	35,6	26,1	
3MHp06-I-M52011-QQE	1,1	1,5	65,5		57,7	56,1	48,9	43,7	32,4	
3MHp07-I-M52011-QQE	1,1	1,5	76		66,5	64,7	56,2	50,1	37	

Application range

## THREE-PHASE

Pump model	Rated power		Q = Delivery							
			l/min 0	16,6	25	28,3	41,7	50	66,7	83,3
			m <sup>3</sup> /h 0	1	1,5	1,7	2,5	3	4	5
	US gpm 0	4,4	6,6	7,5	11	13,2	17,6	22		
	[kW]	[HP]	H = Total meters head of water column [m]							
3MHp04-I-T5B007-QQE	0,75	1	43,3		37,8	36,8	31,8	28,3	20,7	
3MHp05-I-T5B007-QQE	0,75	1	53,6		46,3	45	38,7	34,4	24,9	
3MHp06-I-T5B011-QQE	1,1	1,5	65,9		58,3	56,8	49,6	44,5	33,2	
3MHp07-I-T5B011-QQE	1,1	1,5	76,5		67,4	65,7	57,2	51,2	38,1	

Application range



0020317-01/2026

The hydraulic characteristics are guaranteed, according to ISO standard 9906:2012, grade 3B

# MHp 5 - Hydraulic performance at 50 Hz

## SINGLE-PHASE

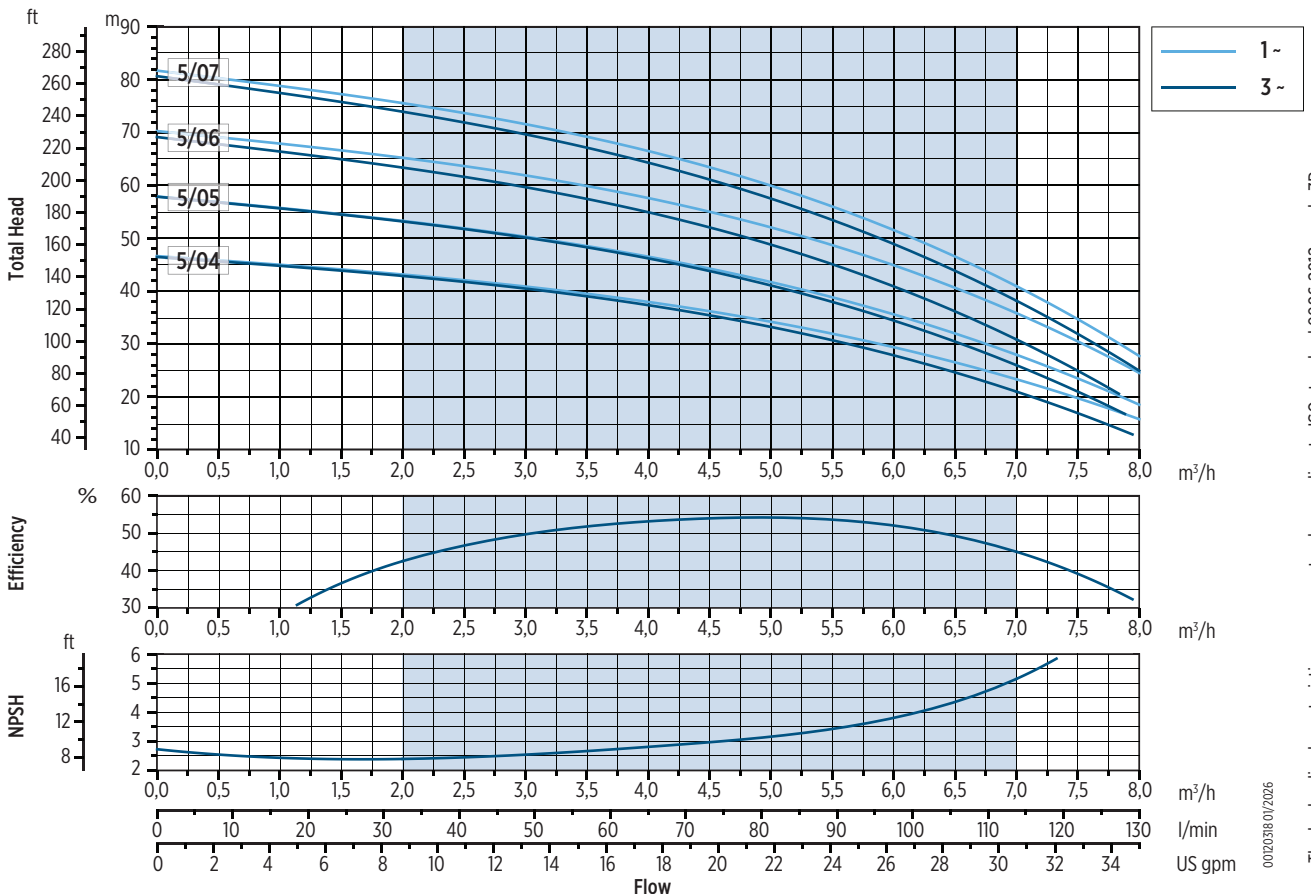
Pump model	Rated power		Q = Delivery								
			l/min 0	28,3	33,3	41,7	50	66,7	100	116,7	133,3
			m <sup>3</sup> /h 0	1,7	2	2,5	3	4	6	7	8
			US gpm 0	7,5	8,8	11	13,2	17,6	26,4	30,8	35,2
[kW]		[HP]	H = Total meters head of water column [m]								
5MHp04-I-M52011-QQE	1,1	1,5	46,6		43,1	41,9	40,7	38	29,6	23,2	
5MHp05-I-M52011-QQE	1,1	1,5	57,9		53,2	51,7	50,1	46,5	35,8	27,8	
5MHp06-I-M52015-QQE	1,5	2	70,3		65,2	63,4	61,7	57,6	45,2	35,7	
5MHp07-I-M52015-QQE	1,5	2	81,7		75,5	73,4	71,4	66,5	51,9	40,7	

Application range

## THREE-PHASE

Pump model	Rated power		Q = Delivery								
			l/min 0	28,3	33,3	41,7	50	66,7	100	116,7	133,3
			m <sup>3</sup> /h 0	1,7	2	2,5	3	4	6	7	8
			US gpm 0	7,5	8,8	11	13,2	17,6	26,4	30,8	35,2
[kW]		[HP]	H = Total meters head of water column [m]								
5MHp04-I-T5B011-QQE	1,1	1,5	46,4		42,9	41,6	40,4	37,3	27,9	20,9	
5MHp05-I-T5B011-QQE	1,1	1,5	57,8		53,2	51,6	50	46,2	34,6	25,8	
5MHp06-I-T5B015-QQE	1,5	2	69,1		63,4	61,4	59,5	54,9	41,1	30,7	
5MHp07-I-T5B015-QQE	1,5	2	80,7		73,9	71,6	69,5	64,3	49,2	37,9	

Application range



0020318-01/2026

The hydraulic characteristics are guaranteed, according to ISO standard 9906:2012, grade 3B



## Franklin Electric

Franklin Electric Europa GmbH  
Rudolf-Diesel-Str. 20 - 54516 Wittlich  
GERMANY  
Phone: +49 (0) 6571 - 105-0  
Fax: +49 (0) 6571 - 105-510  
Email: [info@franklin-electric.de](mailto:info@franklin-electric.de)

Franklin Electric S.r.l.  
Via Asolo, 7 - 36031 Dueville (Vicenza)  
ITALY  
Phone: +39 0444 361114  
Fax: +39 0444 365247  
Email: [sales.it@fele.com](mailto:sales.it@fele.com)



10000026262 EN REV.00\_01-2026



[franklinwater.eu](http://franklinwater.eu)

Single member - Company subject to the control and coordination of Franklin Electric Co., Inc.  
Franklin Electric reserves the right to amend specification without prior notice.