



Data sheet

Hydraulic data

Maximum operating pressure P_N	10 bar
Flow max Q_{max}	3.8 m ³ /h
Minimum suction head at 50 °C m	0.5 m
Minimum suction head at 95 °C m	3 m
Minimum suction head at 110 °C	10 m
Min. fluid temperature T_{min}	-10 °C
Max. fluid temperature T_{max}	95 °C
Min. ambient temperature T_{min}	-10 °C
Max. ambient temperature T_{max}	40 °C

Motor data

Energy efficiency index (EEI)	≤0.20
Mains connection	1~230 V ±10%, 50/60 Hz
Rated power P_2	38 W
Min. speed n_{min}	2340 1/min
Max. speed n_{max}	4366 1/min
Power consumption $P_{1 min}$	1 W
Power consumption $P_{1 max}$	50 W
Emitted interference	EN 61000-6-3
Interference resistance	EN 61000-6-2
Electromagnetic compatibility	EN 61800-3
Threaded cable connection	1 x PG11
Insulation class	F
Protection class	IPX4D

Materials

Pump housing	Grey cast iron
Impeller	PP-GF40
Shaft	Stainless steel
Bearing	Carbon, metal-impregnated

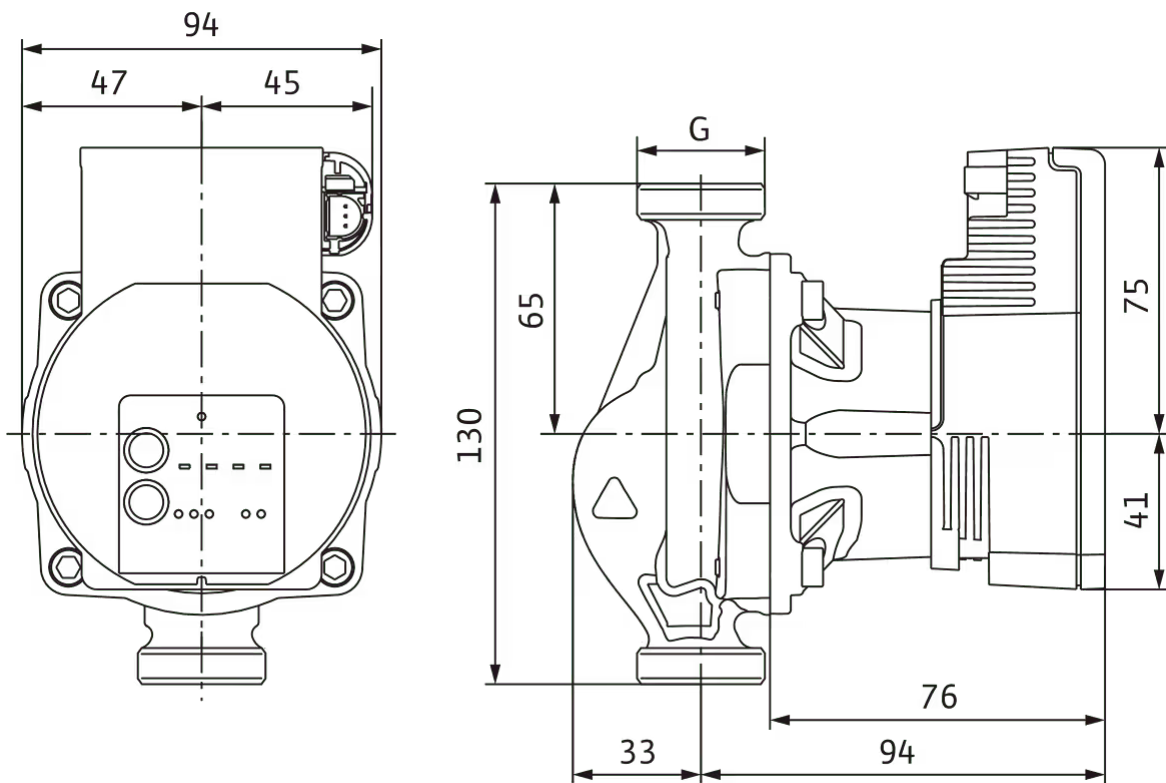
Installation dimensions

Pipe connection on the discharge side DNd	G 1
Pipe connection on the suction side DNs	G 1
Port-to-port length $L0$	130 mm

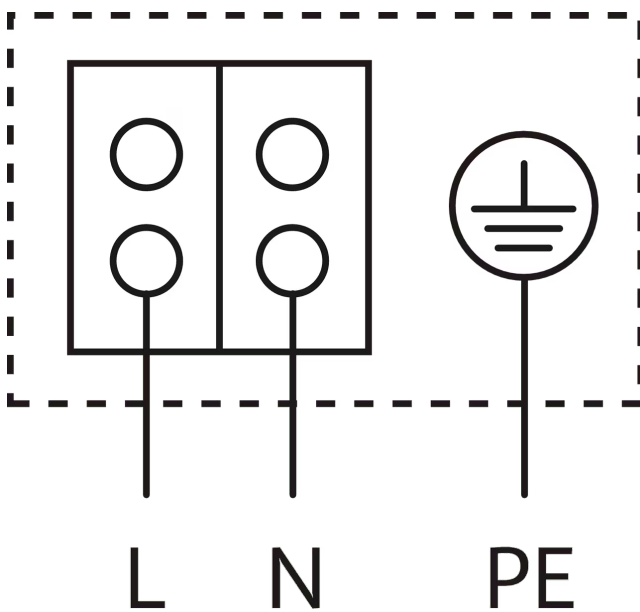
Pump curves

Dimensions and dimensions drawings

Varios PICO-STG 15/1-7



Wiring diagram




Blocking current-proof motor

Single-phase motor (EM) 2-pole - 1~230 V, 50 Hz

Ordering information

Product data

Brand	Wilo
Product description	Varios PICO-STG 15/1-7
Article number	4215540 
EAN number	4048482765594
Colour	Green
Minimum order quantity	1
Date of sales availability	2017-09-01

Packaging

Packaging type	Cardboard box
Packaging property	Sales packaging
Pieces per pallet	198
Number per layer	24

Dimension, weight

Length with packaging	194 mm
Length <i>L</i>	140 mm
Height with packaging	105 mm
Height <i>H</i>	94 mm
Width with packaging	174 mm
Width <i>W</i>	126 mm
Gross weight, approx. <i>m</i>	1.8 kg
Net weight, approx. <i>m</i>	1.6 kg