



## Data sheet

### Hydraulic data

Maximum operating pressure $P_N$	10 bar
Head max $H_{max}$	8.4 m
Flow max $Q_{max}$	4.4 m <sup>3</sup> /h
Min. fluid temperature $T_{min}$	-20 °C
Max. fluid temperature $T_{max}$	110 °C
Min. ambient temperature $T_{min}$	-10 °C
Max. ambient temperature $T_{max}$	40 °C

### Motor data

Energy efficiency index (EEI)	≤0.23
Mains connection	1~230 V ±10%, 50/60 Hz
Rated power $P_2$	55 W
Min. speed $n_{min}$	2695 1/min
Max. speed $n_{max}$	4686 1/min
Power consumption $P_{1 min}$	1 W
Power consumption $P_{1 max}$	75 W
Emitted interference	EN 61000-6-3
Interference resistance	EN 61000-6-2
Electromagnetic compatibility	EN 61800-3
Threaded cable connection	1 x PG11
Insulation class	F
Protection class	IPX4D

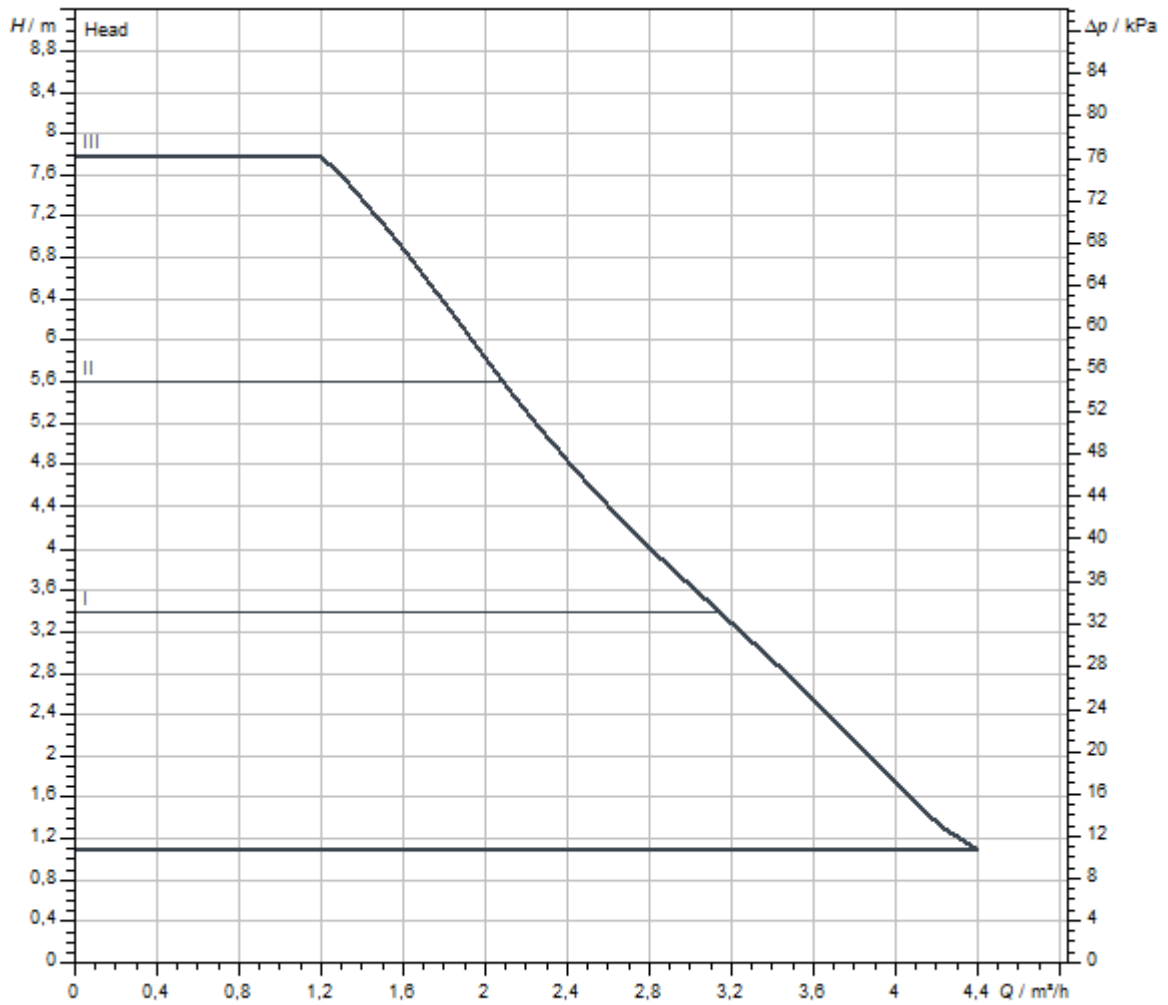
### Materials

Pump housing	Grey cast iron
Impeller	PP-GF40
Shaft	Stainless steel
Bearing	Carbon, metal-impregnated

### Installation dimensions

Pipe connection on the discharge side $DN_d$	G 1
Pipe connection on the suction side $DN_s$	G 1
Port-to-port length $L_0$	130 mm

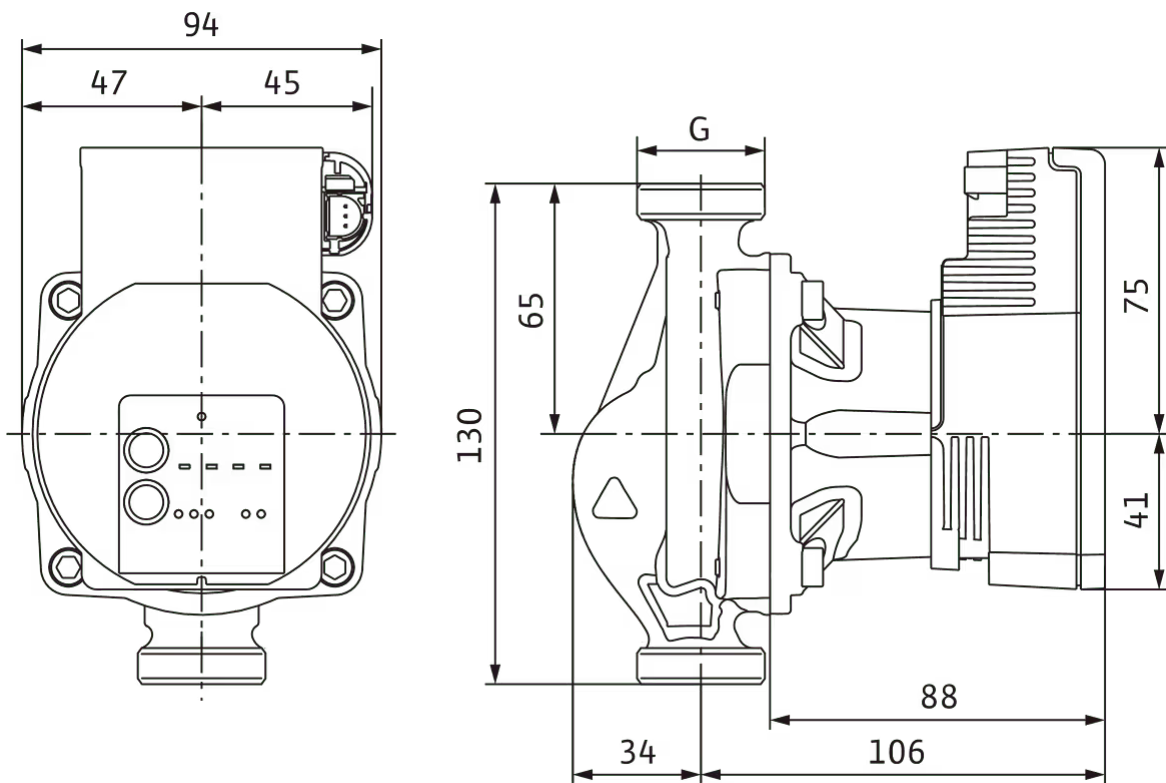
Pump curves



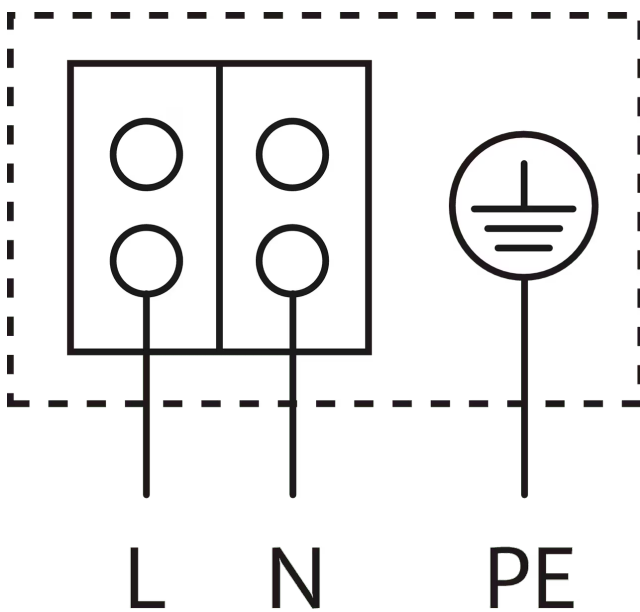
Fluid media	Water 100 %
Fluid temperature T	20,00 °C

Dimensions and dimensions drawings

Varios PICO-STG 15/1-8



Wiring diagram




Blocking current-proof motor

Single-phase motor (EM) 2-pole - 1~230 V, 50 Hz

## Ordering information

### Product data

Brand	Wilo
Product description	Varios PICO-STG 15/1-8
Article number	<b>4232742</b> 
EAN number	4048482946122
Colour	Green
Minimum order quantity	1
Date of sales availability	2019-09-01

### Packaging

Packaging type	Cardboard box
Packaging property	Sales packaging
Pieces per pallet	198
Number per layer	24

### Dimension, weight

Length with packaging	194 mm
Length <i>L</i>	140 mm
Height with packaging	105 mm
Height <i>H</i>	94 mm
Width with packaging	174 mm
Width <i>W</i>	140 mm
Gross weight, approx. <i>m</i>	2 kg
Net weight, approx. <i>m</i>	1.8 kg